

CHAPTER

11

**PLACARDS
AND
MARKINGS**

CESSNA®
MODEL 208
 ILLUSTRATED PARTS CATALOG

| CHAPTER SECTION SUBJECT | | NUMBER OF PAGES | DATE |
|--|-----------|--------------------------------|-------------|
| 11 - TITLE | | | |
| 11 - LIST OF EFFECTIVE PAGES | | | |
| 11 - RECORD OF TEMPORARY REVISIONS | | | |
| 11 - TABLE OF CONTENTS | | | |
| 11-00-00 | Figure 01 | 4 | Mar 1/2020 |
| 11-9M-28 | Figure 01 | 2 | Sep 1/2016 |
| 11-9M-32 | Figure 01 | 2 | Sep 1/2016 |
| 11-B-22 | Figure 01 | 2 | Mar 1/2020 |
| 11-B-22 | Figure 02 | 2 | Mar 1/2018 |
| 11-B-23 | Figure 01 | 2 | Mar 1/2019 |
| 11-B-24 | Figure 01 | 2 | Sep 6/2004 |
| 11-B-25 | Figure 01 | 2 | Sep 6/2004 |
| 11-B-31 | Figure 01 | 2 | Mar 1/2018 |
| 11-B-32 | Figure 01 | 2 | Mar 1/2018 |
| 11-B-38 | Figure 01 | 8 | Mar 1/2018 |
| 11-C-31 | Figure 01 | 2 | Jun 1/2010 |
| 11-F-23 | Figure 01 | 2 | Apr 1/2016 |
| 11-F-32 | Figure 01 | 2 | Sep 6/2004 |
| 11-G-23 | Figure 01 | 2 | Mar 1/2019 |
| 11-G-31 | Figure 01 | 2 | Mar 1/2018 |
| 11-G-38 | Figure 01 | 2 | Sep 6/2004 |
| 11-JA-22 | Figure 01 | 2 | Jun 1/2013 |
| 11-JA-24 | Figure 01 | 2 | Jun 1/2013 |
| 11-JA-25 | Figure 01 | 2 | Jun 1/2013 |
| 11-JA-31 | Figure 01 | 2 | Jun 1/2013 |
| 11-JA-32 | Figure 01 | 2 | Jun 1/2013 |
| 11-JA-38 | Figure 01 | 2 | Jun 1/2013 |
| 11-LQ-22 | Figure 01 | 2 | Mar 1/2020 |
| 11-LQ-23 | Figure 01 | 2 | Mar 1/2019 |
| 11-LQ-24 | Figure 01 | 2 | Jun 1/2010 |
| 11-LQ-25 | Figure 01 | 2 | Jun 1/2010 |
| 11-LQ-27 | Figure 01 | 2 | Jun 1/2010 |
| 11-LQ-28 | Figure 01 | 4 | Jun 1/2010 |
| 11-LQ-31 | Figure 01 | 2 | Sep 6/2004 |
| 11-LQ-38 | Figure 01 | 4 | Sep 6/2004 |
| 11-N-22 | Figure 01 | 8 | Mar 1/2020 |
| 11-N-22 | Figure 02 | 6 | Mar 1/2020 |
| 11-N-23 | Figure 01 | 4 | Mar 1/2020 |
| 11-N-24 | Figure 01 | 6 | Mar 1/2020 |
| 11-N-25 | Figure 01 | 2 | Mar 1/2020 |
| 11-N-25 | Figure 02 | 2 | Jun 1/2013 |
| 11-N-27 | Figure 01 | 2 | Mar 1/2020 |
| 11-N-28 | Figure 01 | 4 | Mar 1/2020 |
| 11-N-31 | Figure 01 | 22 | Mar 1/2020 |
| 11-N-31 | Figure 02 | 4 | Mar 1/2018 |
| 11-N-32 | Figure 01 | 4 | Mar 1/2020 |
| 11-N-38 | Figure 01 | 4 | Mar 1/2020 |
| 11-PP-22 | Figure 01 | 2 | Mar 1/2020 |
| 11-PP-22 | Figure 02 | 2 | Mar 1/2020 |
| 11-PP-23 | Figure 01 | 2 | Mar 1/2020 |
| 11-PP-24 | Figure 01 | 2 | Mar 1/2020 |
| 11-PP-25 | Figure 01 | 2 | Mar 1/2020 |
| 11-PP-25 | Figure 02 | 2 | Mar 1/2020 |
| 11-PP-27 | Figure 01 | 2 | Mar 1/2020 |
| 11-PP-28 | Figure 01 | 2 | Mar 1/2020 |

11 - LIST OF EFFECTIVE PAGES

CESSNA®
MODEL 208
 ILLUSTRATED PARTS CATALOG

| CHAPTER SECTION SUBJECT | | NUMBER OF PAGES | DATE |
|--|-----------|--------------------------------|-------------|
| 11-PP-28 | Figure 02 | 2 | Mar 1/2020 |
| 11-PP-31 | Figure 01 | 2 | Jun 1/2010 |
| 11-PP-32 | Figure 01 | 2 | Mar 1/2020 |
| 11-PP-38 | Figure 01 | 2 | Mar 1/2020 |
| 11-PP-38 | Figure 02 | 2 | Mar 1/2020 |
| 11-RA-22 | Figure 01 | 2 | Dec 1/2012 |
| 11-RA-22 | Figure 02 | 2 | Dec 1/2012 |
| 11-RA-23 | Figure 01 | 2 | Dec 1/2012 |
| 11-RA-25 | Figure 01 | 2 | Dec 1/2012 |
| 11-RA-28 | Figure 01 | 2 | Dec 1/2012 |
| 11-RA-31 | Figure 01 | 2 | Dec 1/2012 |
| 11-RA-32 | Figure 01 | 2 | Dec 1/2012 |
| 11-RA-38 | Figure 01 | 2 | Dec 1/2012 |
| 11-VN-22 | Figure 01 | 2 | Mar 1/2015 |
| 11-VN-22 | Figure 02 | 2 | Mar 1/2015 |
| 11-VN-23 | Figure 01 | 2 | Sep 1/2016 |
| 11-VN-24 | Figure 01 | 2 | Mar 1/2015 |
| 11-VN-25 | Figure 01 | 2 | Mar 1/2015 |
| 11-VN-27 | Figure 01 | 2 | Mar 1/2015 |
| 11-VN-38 | Figure 01 | 4 | Mar 1/2015 |
| 11-XA-22 | Figure 01 | 4 | Mar 1/2020 |
| 11-XA-22 | Figure 02 | 2 | Mar 1/2018 |
| 11-XA-23 | Figure 01 | 2 | Mar 1/2019 |
| 11-XA-24 | Figure 01 | 2 | Jun 1/2010 |
| 11-XA-25 | Figure 01 | 2 | Jun 1/2010 |
| 11-XA-25 | Figure 02 | 2 | Jun 1/2010 |
| 11-XA-27 | Figure 01 | 2 | Mar 1/2020 |
| 11-XA-28 | Figure 01 | 2 | Jun 1/2010 |
| 11-XA-32 | Figure 01 | 2 | Jun 1/2010 |
| 11-XA-38 | Figure 01 | 4 | Sep 6/2004 |

CESSNA®
MODEL 208
 ILLUSTRATED PARTS CATALOG

| <u>SUBJECT</u> | <u>CHAPTER SECTION SUBJECT</u> | <u>FIGURE</u> | <u>EFFECTIVITY</u> | |
|---|--|---------------|--------------------|--------------|
| | | | <u>START</u> | <u>END</u> |
| PLACARD LOCATIONS | 11-00-00 | 01 | | |
| MALAYSIAN EXTERIOR PLACARDS AND MARKINGS - CABIN DOOR | 11-9M-2 8 | 01 | B5225 | & ON |
| | 11-9M-3 | | | |
| MALAYSIAN INTERIOR PLACARDS AND MARKINGS - CABIN | 2 | 01 | B5225 | & ON |
| CHINESE EXTERIOR PLACARDS AND MARKINGS - FUSELAGE | 11-B-22 | 01 | | |
| CHINESE EXTERIOR PLACARDS AND MARKINGS - TKS | 11-B-22 | 02 | | |
| CHINESE EXTERIOR PLACARDS AND MARKINGS - EMPENNAGE AND REAR BAGGAGE | 11-B-23 | 01 | | |
| CHINESE EXTERIOR PLACARDS AND MARKING - COWLING | 11-B-24 | 01 | | |
| CHINESE EXTERIOR PLACARDS AND MARKINGS - WINGS | 11-B-25 | 01 | | |
| CHINESE INTERIOR PLACARDS AND MARKINGS - FLIGHT COMPARTMENT | 11-B-31 | 01 | | |
| CHINESE INTERIOR PLACARDS AND MARKINGS - CABIN | 11-B-32 | 01 | | |
| CHINESE INTERIOR PLACARDS AND MARKINGS - CABIN DOORS | 11-B-38 | 01 | | |
| CANADIAN INTERIOR PLACARDS AND MARKINGS - FLIGHT COMPARTMENT | 11-C-31 | 01 | 0417 B1289 | & ON & ON |
| FRENCH EXTERIOR PLACARDS AND MARKINGS - EMPENNAGE AND REAR BAGGAGE | 11-F-23 | 01 | | |
| FRENCH INTERIOR PLACARDS AND MARKINGS - CABIN | 11-F-32 | 01 | | |
| BRITISH EXTERIOR PLACARDS AND MARKINGS - EMPENNAGE AND REAR BAGGAGE | 11-G-23 | 01 | | |
| BRITISH INTERIOR PLACARDS AND MARKINGS - FLIGHT COMPARTMENT | 11-G-31 | 01 | | |
| BRITISH INTERIOR PLACARDS AND MARKINGS - CABIN | 11-G-38 | 01 | | |
| JAPANESE EXTERIOR PLACARDS AND MARKINGS - FUSELAGE | 11-JA-22 | 01 | B2273 | & ON |
| JAPANESE EXTERIOR PLACARDS AND MARKINGS - COWLING | 11-JA-24 | 01 | B2273 | & ON |
| JAPANESE EXTERIOR PLACARDS AND MARKINGS - WINGS | 11-JA-25 | 01 | B2273 | & ON |
| JAPANESE INTERIOR PLACARDS AND MARKINGS - FLIGHT COMPARTMENT | 11-JA-31 | 01 | B2273 | & ON |
| JAPANESE INTERIOR PLACARDS AND MARKINGS - CABIN | 11-JA-32 | 01 | B2237 | & ON |
| JAPANESE EXTERIOR PLACARDS AND MARKINGS - CABIN DOORS | 11-JA-38 | 01 | B2273 | & ON |
| ARGENTINE EXTERIOR PLACARDS AND MARKINGS - FUSELAGE | 11-LQ-22 | 01 | | |
| ARGENTINE EXTERIOR PLACARDS AND MARKINGS - EMPENNAGE AND REAR BAGGAGE | 11-LQ-23 | 01 | | |
| ARGENTINE EXTERIOR PLACARDS AND MARKINGS - COWLING | 11-LQ-24 | 01 | | |
| ARGENTINE EXTERIOR PLACARDS AND MARKINGS - WINGS | 11-LQ-25 | 01 | | |
| ARGENTINE EXTERIOR PLACARDS AND MARKINGS - LANDING GEAR | 11-LQ-27 | 01 | | |
| ARGENTINE EXTERIOR PLACARDS AND MARKINGS - CABIN DOORS | 11-LQ-28 | 01 | | |
| ARGENTINE INTERIOR PLACARDS AND MARKINGS - FLIGHT COMPARTMENT | 11-LQ-31 | 01 | | |
| ARGENTINE INTERIOR PLACARDS AND MARKINGS - CABIN DOORS | 11-LQ-38 | 01 | | |
| U.S. EXTERIOR PLACARDS AND MARKINGS - FUSELAGE | 11-N-22 | 01 | | |
| U.S. EXTERIOR PLACARDS AND MARKINGS - TKS | 11-N-22 | 02 | 0500 B2000 | & ON & ON |

11 - TABLE OF CONTENTS

CESSNA®
MODEL 208
 ILLUSTRATED PARTS CATALOG

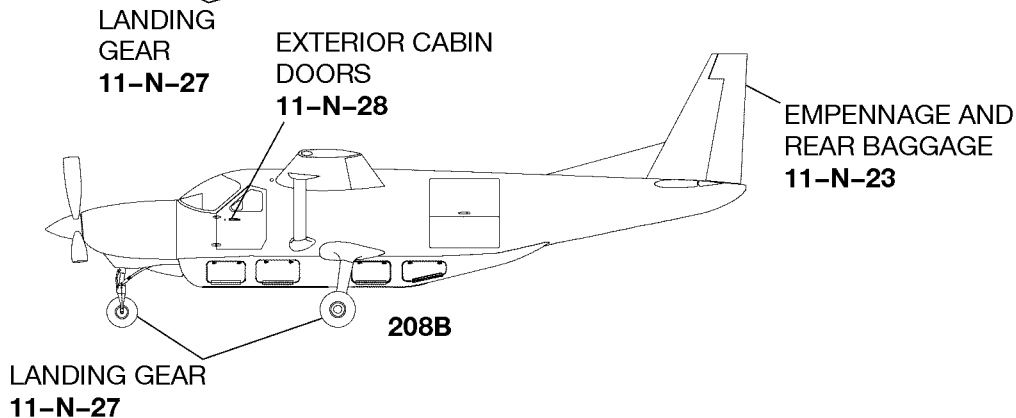
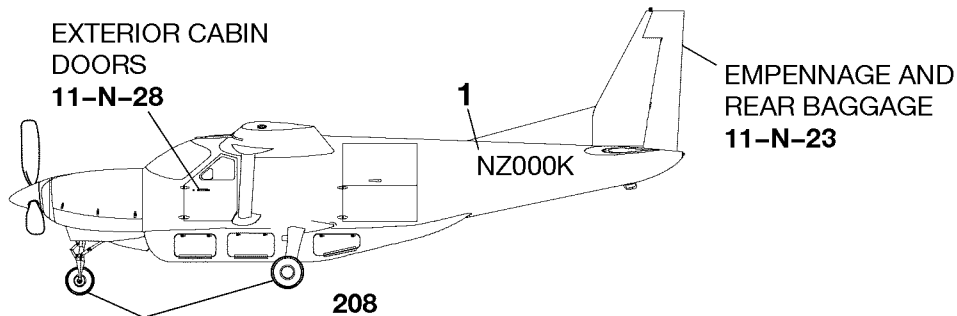
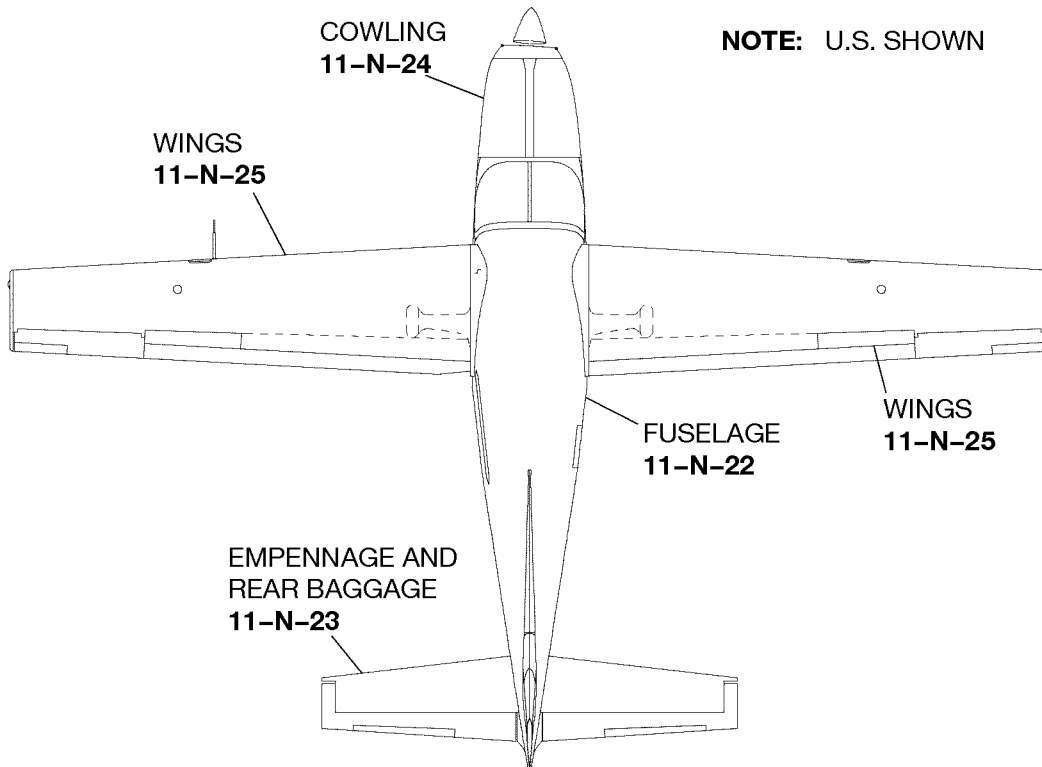
| SUBJECT | CHAPTER SECTION SUBJECT | FIGURE | EFFECTIVITY | |
|---|--|---------------|--------------------|--------------|
| | | | START | END |
| U.S. EXTERIOR PLACARDS AND MARKINGS - EMPENNAGE AND REAR BAGGAGE | 11-N-23 | 01 | | |
| U.S. EXTERIOR PLACARDS AND MARKINGS - COWLING | 11-N-24 | 01 | | |
| U.S. EXTERIOR PLACARDS AND MARKINGS - WINGS | 11-N-25 | 01 | | |
| U.S. EXTERIOR PLACARDS AND MARKINGS - TKS | 11-N-25 | 02 | 0500 B2000 | & ON & ON |
| U.S. EXTERIOR PLACARDS AND MARKINGS - LANDING GEAR | 11-N-27 | 01 | | |
| U.S. EXTERIOR PLACARDS AND MARKINGS - CABIN DOORS | 11-N-28 | 01 | | |
| U.S. INTERIOR PLACARDS AND MARKINGS - FLIGHT COMPARTMENT | 11-N-31 | 01 | | |
| U.S. INTERIOR PLACARDS AND MARKINGS - TKS | 11-N-31 | 02 | | |
| U.S. INTERIOR PLACARDS AND MARKINGS - CABIN | 11-N-32 | 01 | | |
| U.S. INTERIOR PLACARDS AND MARKINGS - CABIN DOORS | 11-N-38 | 01 | | |
| BRAZILIAN EXTERIOR PLACARDS AND MARKINGS - FUSELAGE | 11-PP-22 | 01 | | |
| BRAZILIAN EXTERIOR PLACARDS AND MARKINGS - FUSELAGE | 11-PP-22 | 02 | | |
| BRAZILIAN EXTERIOR PLACARDS AND MARKINGS - EMPENNAGE AND REAR BAGGAGE | 11-PP-23 | 01 | | |
| BRAZILIAN EXTERIOR PLACARDS AND MARKINGS - COWLING | 11-PP-24 | 01 | | |
| BRAZILIAN EXTERIOR PLACARDS AND MARKINGS - WINGS | 11-PP-25 | 01 | | |
| BRAZILIAN EXTERIOR PLACARDS AND MARKINGS - WINGS | 11-PP-25 | 02 | | |
| BRAZILIAN EXTERIOR PLACARDS AND MARKINGS - COWLING | 11-PP-27 | 01 | | |
| BRAZILIAN EXTERIOR PLACARDS AND MARKINGS - CABIN DOORS | 11-PP-28 | 01 | | |
| BRAZILIAN EXTERIOR PLACARDS AND MARKINGS - CABIN DOORS | 11-PP-28 | 02 | | |
| BRAZILIAN INTERIOR PLACARDS AND MARKINGS - FLIGHT COMPARTMENT | 11-PP-31 | 01 | | |
| BRAZILIAN INTERIOR PLACARDS AND MARKINGS - CABIN | 11-PP-32 | 01 | | |
| BRAZILIAN INTERIOR PLACARDS AND MARKINGS - CABIN DOORS | 11-PP-38 | 01 | | |
| BRAZILIAN INTERIOR PLACARDS AND MARKINGS - CABIN DOORS | 11-PP-38 | 02 | | |
| RUSSIAN EXTERIOR PLACARDS AND MARKINGS - FUSELAGE | 11-RA-2 2 | 01 | 0524 B2246 | & ON & ON |
| RUSSIAN EXTERIOR PLACARDS AND MARKINGS -TKS | 11-RA-2 2 | 02 | 0524 B2246 | & ON & ON |
| RUSSIAN EXTERIOR PLACARDS AND MARKINGS - EMPENNAGE AND REAR BAGGAGE | 11-RA-2 3 | 01 | 0524 B2246 | & ON & ON |
| RUSSIAN EXTERIOR PLACARDS AND MARKINGS - TKS | 11-RA-2 5 | 01 | 0524 B2246 | & ON & ON |
| RUSSIAN EXTERIOR PLACARDS AND MARKINGS - CABIN DOORS | 11-RA-2 8 | 01 | 0524 B2246 | & ON & ON |
| RUSSIAN EXTERIOR PLACARDS AND MARKINGS - FLIGHT COMPARTMENT | 11-RA-3 1 | 01 | 0524 B2246 | & ON & ON |
| RUSSIAN EXTERIOR PLACARDS AND MARKINGS - CABIN | 11-RA-3 2 | 01 | 0524 B2246 | & ON & ON |

CESSNA®
MODEL 208
 ILLUSTRATED PARTS CATALOG

| <u>SUBJECT</u> | <u>CHAPTER SECTION SUBJECT</u> | <u>FIGURE</u> | <u>EFFECTIVITY</u> | |
|---|--|---------------|--------------------|---------------|
| | | | <u>START</u> | <u>END</u> |
| RUSSIAN INTERIOR PLACARDS AND MARKINGS - CABIN DOORS | 11-RA-3 8 | 01 | 0524 B2246 | & ON & ON |
| VIETNAM EXTERIOR PLACARDS AND MARKINGS - FUSELAGE | 11-VN-2 2 | 01 | B5121 | & ON |
| VIETNAM EXTERIOR PLACARDS AND MARKINGS - TKS | 11-VN-2 2 | 02 | 0561 B5121 | & ON & ON |
| VIETNAM EXTERIOR PLACARDS AND MARKINGS - EMPENNAGE AND REAR BAGGAGE | 11-VN-2 3 | 01 | 0561 B5121 | & ON & ON |
| VIETNAM EXTERIOR PLACARDS AND MARKINGS - COWLING | 11-VN-2 4 | 01 | 0561 B5121 | & ON & ON |
| VIETNAM EXTERIOR PLACARDS AND MARKINGS - WINGS | 11-VN-2 5 | 01 | 0561 B5121 | & ON & ON |
| VIETNAM EXTERIOR PLACARDS AND MARKINGS - LANDING GEAR | 11-VN-2 7 | 01 | 0561 B5121 | & ON & ON |
| VIETNAM EXTERIOR PLACARDS AND MARKINGS - CABIN DOORS | 11-VN-3 8 | 01 | 0561 B5121 | & ON & ON |
| MEXICAN EXTERIOR PLACARDS AND MARKINGS - FUSELAGE | 11-XA-22 | 01 | | |
| MEXICAN EXTERIOR PLACARDS AND MARKINGS - TKS | 11-XA-22 | 02 | B2021 | & ON |
| MEXICAN EXTERIOR PLACARDS AND MARKINGS - EMPENNAGE AND REAR BAGGAGE | 11-XA-23 | 01 | | |
| MEXICAN EXTERIOR PLACARDS AND MARKING - COWLING | 11-XA-24 | 01 | | |
| MEXICAN EXTERIOR PLACARDS AND MARKING - WINGS | 11-XA-25 | 01 | | |
| MEXICAN EXTERIOR PLACARDS AND MARKING - TKS | 11-XA-25 | 02 | B2021 | & ON |
| MEXICAN EXTERIOR PLACARDS AND MARKINGS - LANDING GEAR | 11-XA-27 | 01 | | |
| MEXICAN EXTERIOR PLACARDS AND MARKING - CABIN DOORS | 11-XA-28 | 01 | | |
| MEXICAN INTERIOR PLACARDS AND MARKINGS - CABIN DOORS | 11-XA-32 | 01 | 0001 B0001 | 0499 B1999 |
| MEXICAN INTERIOR PLACARDS AND MARKINGS - CABIN DOORS | 11-XA-38 | 01 | | |

CESSNA®
MODEL 208
 ILLUSTRATED PARTS CATALOG

A34954



EXTERIOR SECTION
 ICAO NATIONALITY MARKS/COUNTRY DESIGNATIONS
 PLACARD LOCATIONS
 FIGURE 01 (SHEET 1)

2610T3002
 2610T2005
 2610T1001

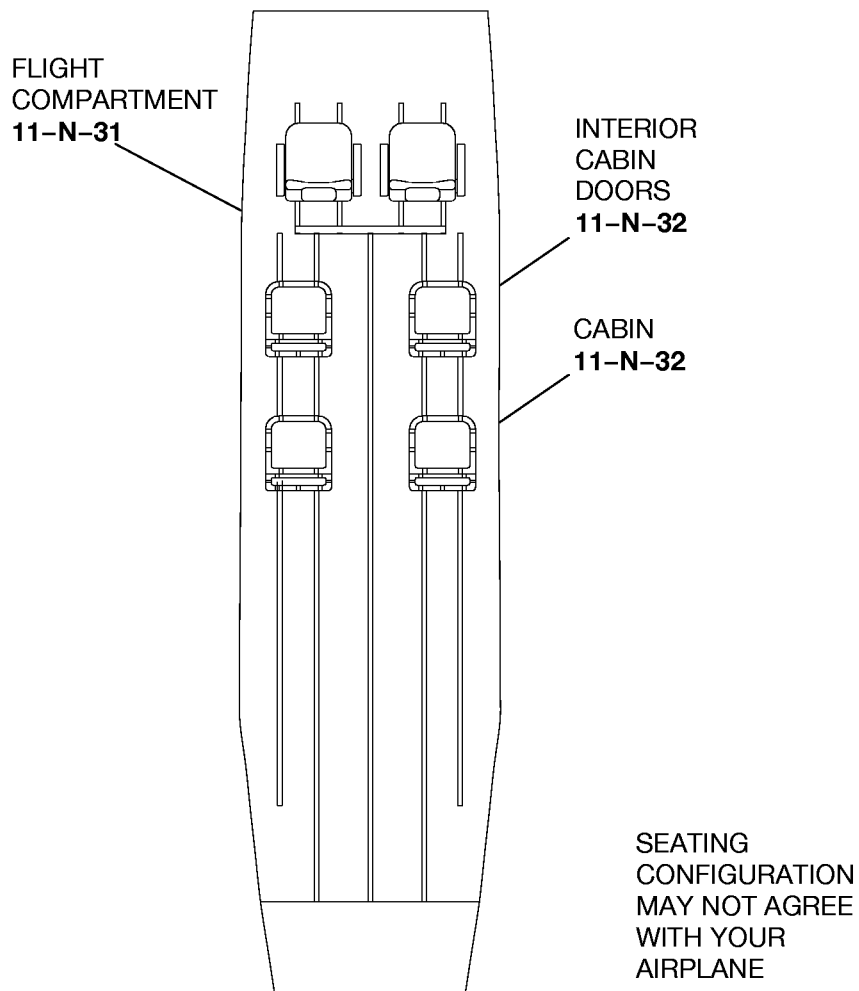
CESSNA®
MODEL 208
ILLUSTRATED PARTS CATALOG

| FIG ITEM | PART NUMBER | NOMENCLATURE | UNITS |
|-------------|-------------|---|-------------|
| | | | PER ASSY |
| | | 1 2 3 4 5 6 7 | |
| 01 | | PLACARD LOCATIONS REFER TO NOTE 1 | RF |
| - 1 | N | . UNITED STATES-U.S. CERTIFIED AIRPLANES | AR |
| - 2 | LQ | . ARGENTINA-ARGENTINE CERTIFIED AIRPLANES | AR |
| - 3 | LV | . ARGENTINA-ARGENTINE CERTIFIED AIRPLANES | AR |
| - 4 | P4 | . ARUBA-ARUBAN CERTIFIED AIRPLANES | AR |
| - 5 | VH | . AUSTRALIA-AUSTRALIAN CERTIFIED AIRPLANES | AR |
| - 6 | OE | . AUSTRIA-AUSTRIAN CERTIFIED AIRPLANES | AR |
| - 7 | C6 | . BAHAMAS-BAHAMAN CERTIFIED AIRPLANES | AR |
| - 8 | A9C | . BAHRAIN-BAHRAINIAN CERTIFIED AIRPLANES | AR |
| - 9 | 8P | . BARBADOS-BARBADIAN CERTIFIED AIRPLANES | AR |
| - 10 | OO | . BELGIUM-BELGIAN CERTIFIED AIRPLANES | AR |
| - 11 | V3 | . BELIZE-BELIZEAN CERTIFIED AIRPLANES | AR |
| - 12 | VP-B | . BERMUDA-BERMUDAN CERTIFIED AIRPLANES | AR |
| - 13 | PP | . BRAZIL-BRAZILIAN CERTIFIED AIRPLANES | AR |
| - 14 | PR | . BRAZIL-BRAZILIAN CERTIFIED AIRPLANES | AR |
| - 15 | PT | . BRAZIL-BRAZILIAN CERTIFIED AIRPLANES | AR |
| - 16 | PU | . BRAZIL-BRAZILIAN CERTIFIED AIRPLANES | AR |
| - 17 | LZ | . BULGARIA-BULGARIAN CERTIFIED AIRPLANES | AR |
| - 18 | C | . CANADA-CANADIAN CERTIFIED AIRPLANES | AR |
| - 19 | CF | . CANADA-CANADIAN CERTIFIED AIRPLANES | AR |
| - 20 | VP-C | . CAYMAN ISLANDS-CAYMAN ISLANDS CERTIFIED AIRPLANES | AR |
| - 21 | CC | . CHILE-CHILEAN CERTIFIED AIRPLANES | AR |
| - 22 | B | . CHINA-CHINESE CERTIFIED AIRPLANES | AR |
| - 22A | RC | . TAIWAN-TAIWANESE CERTIFIED AIRPLANES | AR |
| - 23 | HK | . COLOMBIA-COLOMBIAN CERTIFIED AIRPLANES | AR |
| - 24 | TI | . COSTA RICA-COSTA RICAN CERTIFIED AIRPLANES | AR |
| - 25 | 9A | . CROATIA-CROATIAN CERTIFIED AIRPLANES | AR |
| - 26 | CU | . CUBA-CUBAN CERTIFIED AIRPLANES | AR |
| - 27 | OK | . CZECH REPUBLIC-CZECH REPUBLIC CERTIFIED AIRPLANES | AR |
| - 28 | OY | . DENMARK-DANISH CERTIFIED AIRPLANES | AR |
| - 29 | HI | . DOMINICAN REPUBLIC-DOMINICAN REPUBLIC CERTIFIED AIRPLANES | AR |
| - 30 | SU | . EGYPT-EGYPTIAN CERTIFIED AIRPLANES | AR |
| - 31 | ES | . ESTONIA-ESTONIAN CERTIFIED AIRPLANES | AR |
| - 32 | DQ | . FIJI-FIJIAN CERTIFIED AIRPLANES | AR |
| - 33 | OH | . FINLAND-FINNISH CERTIFIED AIRPLANES | AR |
| - 34 | F | . FRANCE-FRENCH CERTIFIED AIRPLANES | AR |
| - 35 | D | . GERMANY-GERMAN CERTIFIED AIRPLANES | AR |
| - 36 | SX | . GREECE-GREEK CERTIFIED AIRPLANES | AR |
| - 37 | TG | . GUATEMALA-GUATEMALAN CERTIFIED AIRPLANES | AR |
| - 38 | 3X | . GUINEA-GUINEAN CERTIFIED AIRPLANES | AR |
| - 39 | HR | . HONDURAS-HONDURAN CERTIFIED AIRPLANES | AR R |
| - 40 | HA | . HUNGARY-HUNGARIAN CERTIFIED AIRPLANES | AR |
| - 41 | TF | . ICELAND-ICELANDIC CERTIFIED AIRPLANES | AR |
| - 42 | VT | . INDIA-INDIAN CERTIFIED AIRPLANES | AR |
| - 43 | PK | . INDONESIA-INDONESIAN CERTIFIED AIRPLANES | AR |
| - 44 | EI | . IRELAND-IRISH CERTIFIED AIRPLANES | AR |
| - 45 | EJ | . IRELAND-IRISH CERTIFIED AIRPLANES | AR |
| - 46 | M | . ISLE OF MAN-ISLE OF MAN CERTIFIED AIRPLANES | AR |
| - 47 | 4X | . ISRAEL-ISRAELI CERTIFIED AIRPLANES | AR |
| - 48 | I | . ITALY-ITALIAN CERTIFIED AIRPLANES | AR |
| - 49 | JAA | . JAA-JAA CERTIFIED AIRPLANES | AR |
| - 50 | 6Y | . JAMAICA-JAMAICAN CERTIFIED AIRPLANES | AR |
| - 51 | JA | . JAPAN-JAPANESE CERTIFIED AIRPLANES | AR |
| - 52 | 9K | . KUWAIT-KUWAITI CERTIFIED AIRPLANES | AR |
| - 53 | OD | . LEBANON-LEBANESE CERTIFIED AIRPLANES | AR |
| - 54 | HB | . LIECHTENSTEIN-LIECHTENSTEIN CERTIFIED AIRPLANES | AR |
| - 55 | LY | . LITHUANIA-LITHUANIAN CERTIFIED AIRPLANES | AR |
| - 56 | LX | . LUXEMBOURG-LUXEMBOURG CERTIFIED AIRPLANES | AR |

NOTE 1—THE COUNTRY DESIGNATIONS OBEY THE STANDARDS OF THE AIRCRAFT NATIONALITY MARKS ESTABLISHED BY THE INTERNATIONAL CIVIL AVIATION ORGANIZATION (IACO).

CESSNA®
MODEL 208
ILLUSTRATED PARTS CATALOG

A34955



EXTERIOR SECTION
ICAO NATIONALITY MARKS/COUNTRY DESIGNATIONS

NOTE: U.S. SHOWN

2610T1027

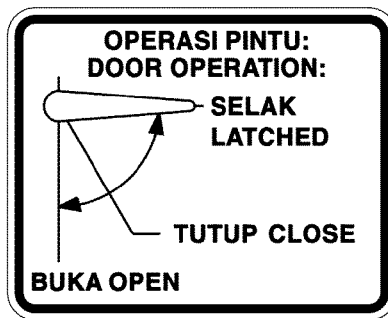
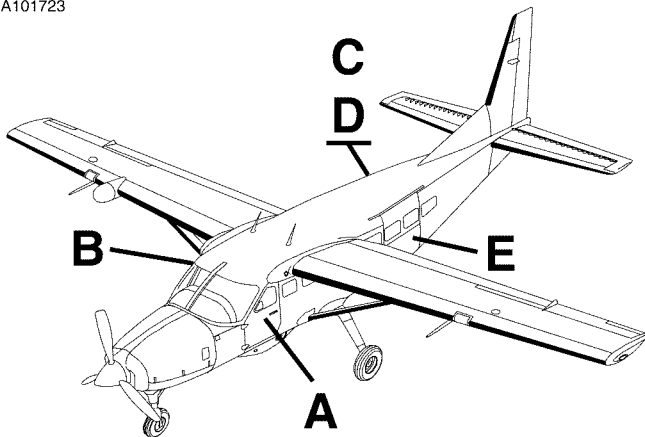
PLACARD LOCATIONS
FIGURE 01 (SHEET 2)

CESSNA®
MODEL 208
ILLUSTRATED PARTS CATALOG

| FIG ITEM | PART NUMBER | NOMENCLATURE | UNITS |
|-------------|-------------|--|-------------|
| | | | PER ASSY |
| 01 | | | |
| - 75 | 9M | . MALAYSIA-MALAYSIAN CERTIFIED AIRPLANES | AR |
| - 76 | XA | . MEXICO-MEXICAN CERTIFIED AIRPLANES | AR |
| - 77 | XB | . MEXICO-MEXICAN CERTIFIED AIRPLANES | AR |
| - 78 | XC | . MEXICO-MEXICAN CERTIFIED AIRPLANES | AR |
| - 79 | 3A | . MONACO-MONACOAN CERTIFIED AIRPLANES | AR |
| - 80 | CN | . MOROCCO-MOROCCAN CERTIFIED AIRPLANES | AR |
| - 81 | PH | . NETHERLANDS-NETHERLANDISH CERTIFIED AIRPLANES | AR |
| - 82 | ZK | . NEW ZEALAND-NEW ZEALAND CERTIFIED AIRPLANES | AR |
| - 83 | ZL | . NEW ZEALAND-NEW ZEALAND CERTIFIED AIRPLANES | AR |
| - 84 | ZM | . NEW ZEALAND-NEW ZEALAND CERTIFIED AIRPLANES | AR |
| - 85 | LN | . NORWAY-NORWEGIAN CERTIFIED AIRPLANES | AR |
| - 86 | AP | . PAKISTAN-PAKISTANI CERTIFIED AIRPLANES | AR |
| - 87 | HP | . PANAMA-PANAMANIAN CERTIFIED AIRPLANES | AR |
| - 88 | ZP | . PARAGUAY-PARAGUAIAN CERTIFIED AIRPLANES | AR |
| - 89 | OB | . PERU-PERUVIAN CERTIFIED AIRPLANES | AR |
| - 90 | RP | . PHILIPPINES-PHILIPPINE CERTIFIED AIRPLANES | AR |
| - 91 | SP | . POLAND-POLISH CERTIFIED AIRPLANES | AR |
| - 92 | CR | . PORTUGAL-PORTUGUESE CERTIFIED AIRPLANES | AR |
| - 93 | CS | . PORTUGAL-PORTUGUESE CERTIFIED AIRPLANES | AR |
| - 94 | A7 | . QATAR-QATAR CERTIFIED AIRPLANES V05657 | AR |
| - 95 | RA | . RUSSIA-RUSSIAN CERTIFIED AIRPLANES | AR |
| - 96 | T7 | . SAN MARINO-SAN MARINESE CERTIFIED AIRPLANES | AR |
| - 97 | HZ | . SAUDI ARABIA-SAUDI ARABIAN CERTIFIED AIRPLANES | AR |
| - 98 | YU | . SERBIA-SERBIA-MONTENEGRO CERTIFIED AIRPLANES | AR |
| - 99 | S5 | . SLOVENIA-SLOVENIAN CERTIFIED AIRPLANES | AR |
| - 100 | ZS | . SOUTH AFRICA-SOUTH AFRICAN CERTIFIED AIRPLANES | AR |
| - 101 | ZT | . SOUTH AFRICA-SOUTH AFRICAN CERTIFIED AIRPLANES | AR |
| - 102 | ZU | . SOUTH AFRICA-SOUTH AFRICAN CERTIFIED AIRPLANES | AR |
| - 103 | EC | . SPAIN-SPANISH CERTIFIED AIRPLANES | AR |
| - 104 | SE | . SWEDEN-SWEDISH CERTIFIED AIRPLANES | AR |
| - 105 | LS | . SWITZERLAND-SWISS CERTIFIED AIRPLANES | AR R |
| - 106 | HS | . THAILAND-THAI CERTIFIED AIRPLANES | AR |
| - 107 | TC | . TURKEY-TURKISH CERTIFIED AIRPLANES | AR |
| - 108 | A6 | . UNITED ARAB EMIRATES-UNITED ARAB EMIRATES CERTIFIED AIRPLANES | AR |
| - 109 | G | . UNITED KINGDOM-BRITISH CERTIFIED AIRPLANES | AR |
| - 110 | YV | . VENEZUELA-VENEZUELAN CERTIFIED AIRPLANES | AR |
| - 111 | VP-L | . VIRGIN ISLANDS-VIRGIN ISLANDS CERTIFIED AIRPLANES | AR |

CESSNA®
MODEL 208
 ILLUSTRATED PARTS CATALOG

A101723



1

DETAIL A

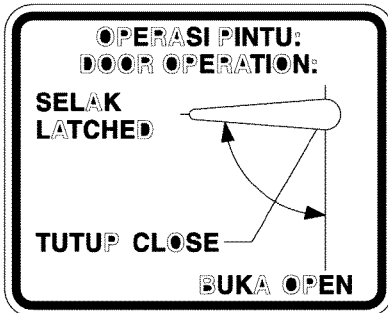
VIEW LOOKING INBOARD
 AT PILOT'S DOOR



5

DETAIL E

VIEW LOOKING INBOARD CARGO
 DOOR (LEFT SIDE)



2

DETAIL B

VIEW LOOKING INBOARD
 AT CO-PILOT'S DOOR



4

DETAIL D

VIEW LOOKING INBOARD AT
 PASSENGER DOOR (RIGHT SIDE)



3

DETAIL C

VIEW LOOKING INBOARD
 AT PASSENGER DOOR

2610T1030
 S4449

MALYSIAN EXTERIOR PLACARDS AND MARKINGS - CABIN DOOR
 FIGURE 01 (SHEET 1)

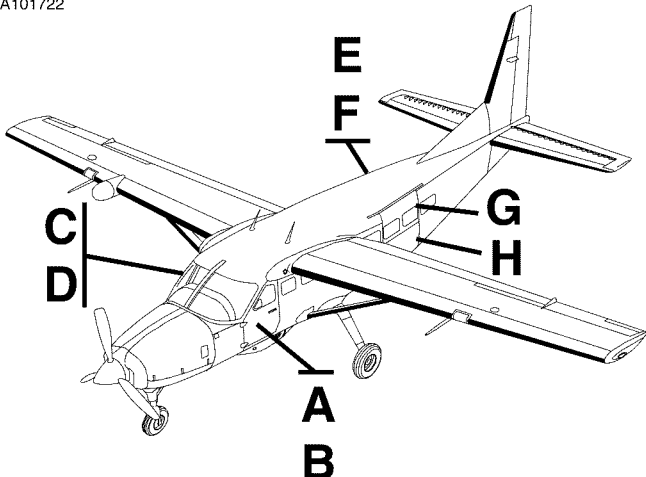
CESSNA®
MODEL 208
 ILLUSTRATED PARTS CATALOG

| FIG ITEM | PART NUMBER | NOMENCLATURE | UNITS | |
|-------------|-------------|---|------------|------|
| | | | PER | ASSY |
| 01 | | | | |
| - | | MALAYSIAN EXTERIOR PLACARDS AND MARKINGS - CABIN DOOR | B5225 & ON | RF R |
| 1 | S4449-3 | . PLACARD-DOOR OPERATION | | 01 R |
| 2 | S4449-6 | . PLACARD-DOOR OPERATION | | 01 R |
| 3 | S4449-7 | . PLACARD-DOOR OPERATION | | 01 R |
| 4 | S4449-9 | . PLACARD-OUTSIDE PROXIMTY | | 02 R |
| 5 | S4449-11 | . PLACARD-DOOR OPERATION | | 01 R |

- ITEM NOT ILLUSTRATED

CESSNA®
MODEL 208
 ILLUSTRATED PARTS CATALOG

A101722



1

DETAIL A

VIEW LOOKING OUTBOARD AT PILOT'S DOOR



8

DETAIL G

VIEW LOOKING OUTBOARD CARGO DOOR (LEFT SIDE)



9

DETAIL H

VIEW LOOKING DOWN ON TOP OF LOWER CARGO DOOR



2

DETAIL B

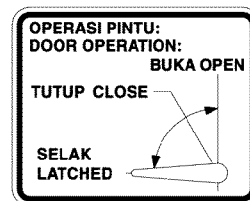
VIEW LOOKING OUTBOARD AT PILOT'S DOOR



7

DETAIL F

VIEW LOOKING DOWN ON TOP OF LOWER PASSENGER DOOR



3

DETAIL C

VIEW LOOKING OUTBOARD AT PILOT'S DOOR



6

DETAIL F

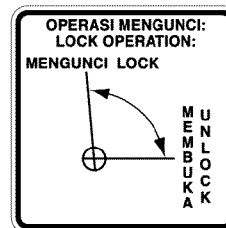
VIEW LOOKING OUTBOARD AT PASSENGER DOOR (RIGHT SIDE)



5

DETAIL E

VIEW LOOKING OUTBOARD AT PASSENGER DOOR (RIGHT SIDE)



4

DETAIL D

VIEW LOOKING OUTBOARD AT PILOT'S DOOR

2610T1030
 S4449

MALAYSIAN INTERIOR PLACARDS AND MARKINGS - CABIN
 FIGURE 01 (SHEET 1)

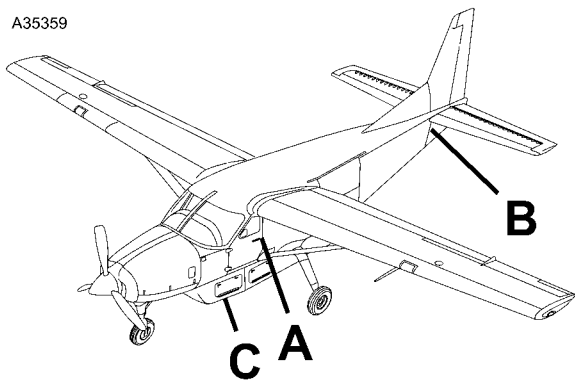
CESSNA®
MODEL 208
 ILLUSTRATED PARTS CATALOG

| FIG ITEM | PART NUMBER | NOMENCLATURE | UNITS | |
|-------------|-------------|--|-------|-----------|
| | | | PER | ASSY |
| 01 | | | | |
| - | | MALAYSIAN INTERIOR PLACARDS AND MARKINGS - CABIN | B5225 | & ON RF R |
| 1 | S4449-1 | . PLACARD-PILOT DOOR | | 01 R |
| 2 | S4449-2 | . PLACARD-LOCK OVERRIDE | | 01 R |
| 3 | S4449-4 | . PLACARD-COPILOT DOOR | | 01 R |
| 4 | S4449-5 | . PLACARD-LOCK OPERATION | | 01 R |
| 5 | S4449-8 | . PLACARD-DOOR OPERATION | | 01 R |
| 6 | S4449-9 | . PLACARD-OUTSIDE PROXIMTY | | 02 R |
| 7 | S4449-10 | . PLACARD-DOOR OPERATION | | 01 R |
| 8 | S4449-12 | . PLACARD-DOOR OPERATION | | 01 R |
| 9 | S4449-13 | . PLACARD-DOOR OPERATION | | 01 R |

- ITEM NOT ILLUSTRATED

CESSNA®
MODEL 208
 ILLUSTRATED PARTS CATALOG

A35359



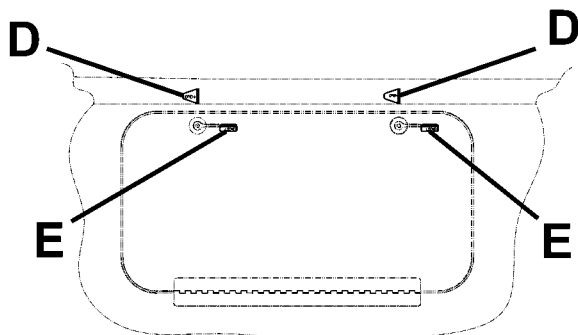
2
DETAIL D
 TYPICAL



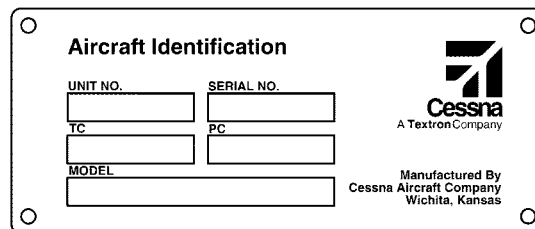
3
DETAIL E
 TYPICAL



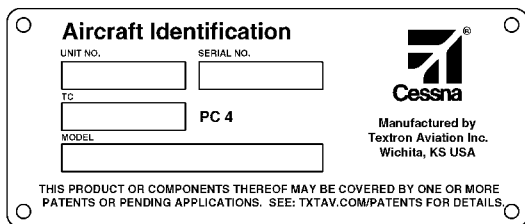
1
DETAIL A



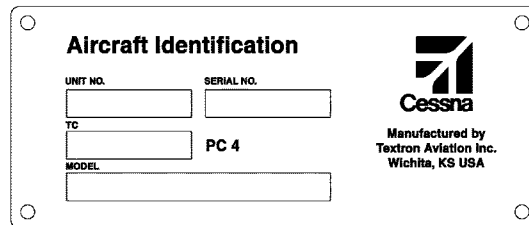
DETAIL C



1A
DETAIL B



1C
DETAIL B



1B
DETAIL B

0410T1005
 C2605T086-2

CHINESE EXTERIOR PLACARDS AND MARKINGS - FUSELAGE
 FIGURE 01 (SHEET 1)

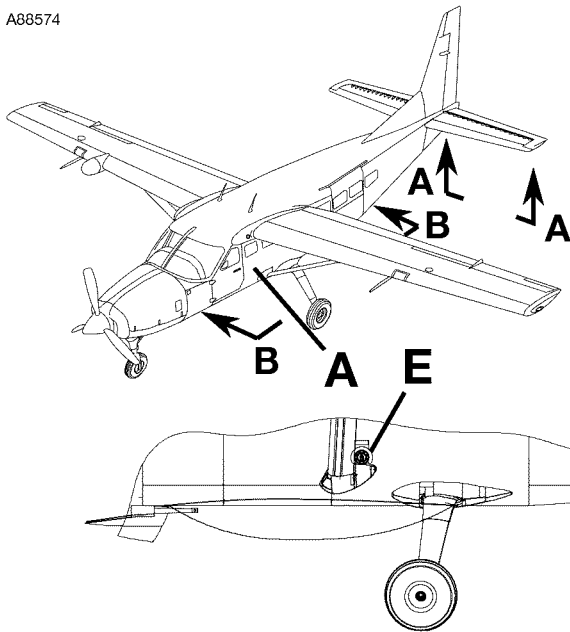
CESSNA®
MODEL 208
 ILLUSTRATED PARTS CATALOG

| FIG ITEM | PART NUMBER | NOMENCLATURE | UNITS PER ASSY | | |
|-------------|-------------|---|----------------------|-------|------|
| | | | 1 | 2 | 3 |
| 01 | | CHINESE EXTERIOR PLACARDS AND MARKINGS - FUSELAGE | | | RF |
| - | | . NAMEPLATE-AIRCRAFT IDENTIFICATION REFER TO NOTE 1 | 0001 | 0128 | 01 R |
| 1 | S2222-1 | | B0001 | B0076 | |
| 1A | S2807-1 | . NAMEPLATE-REFER TO NOTE 1 | 0129 | 0572 | 01 R |
| | | | B0077 | B5223 | |
| 1B | S4441-1 | . NAMEPLATE-REFER TO NOTE 1 | 0573 | 0616 | 01 |
| | | | B5224 | B5474 | |
| 1C | S4441-11 | . NAMEPLATE-REFER TO NOTE 1 | 0617 | & ON | 01 |
| | | | B5475 | & ON | |
| 2 | S4400-1 | . PLACARD-DOOR OPEN CARGO POD | 0574 | & ON | 08 |
| | | | B5225 | & ON | |
| 3 | S4400-2 | . PLACARD-DOOR LOCKED CARGO POD | 0574 | & ON | 08 |
| | | | B5225 | & ON | |

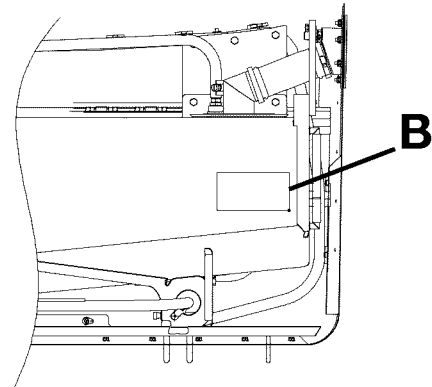
NOTE 1—WHEN ORDERING PART, OWNER MUST SEND A NOTORIZED DOCUMENT STATING REASON FOR ORDERING A NEW ID PLATE, TYPE CERTIFICATE NUMBER, PRODUCTION CERTIFICATE NUMBER, ID PLATE NUMBER, AND MODEL NUMBER. OLD ID PLATE FROM AIRPLANE SHOULD BE ATTACHED TO THE ORDER, IF AVAILABLE. IF NOT ATTACHED, NEW PLATE WILL BE STAMPED "DUPLICATE".

CESSNA®
MODEL 208
 ILLUSTRATED PARTS CATALOG

A88574



VIEW B-B
 WITHOUT POD



DETAIL A

TKS 液面计是唯一获准使用的液面测量设备，用于在飞机飞入已知或预报结冰条件前，确保液体量足够。液面球必须在最小输送量线之上（44.3公升，或11.7美制加仑）。飞机必须保持水平，以确保正确显示。

THE TKS SIGHT GAGE IS THE ONLY APPROVED MEANS OF ASSURING ADEQUATE FLUID QUANTITY PRIOR TO FLIGHT INTO KNOWN OR FORECAST ICING CONDITIONS. THE FLUID LEVEL BALL MUST BE ABOVE THE MINIMUM DISPATCH QUANTITY LINE (11.7 U.S. GALLONS). THE AIRCRAFT MUST BE LEVEL TO ENSURE PROPER INDICATIONS.

S4268-5



4A

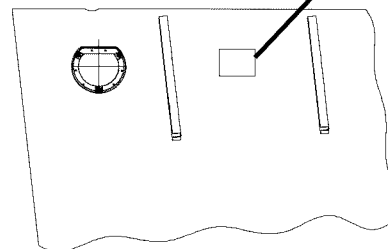
DETAIL D



5A

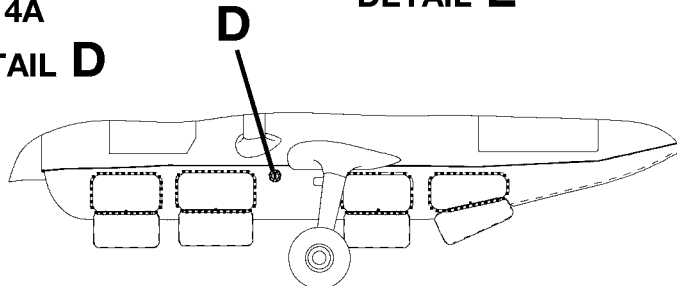
DETAIL E

2
DETAIL B



VIEW A-A

LEFT SIDE SHOWN,
 RIGHT SIDE OPOPOSITE



VIEW B-B
 WITH POD

CHINESE EXTERIOR PLACARDS AND MARKINGS - TKS
 FIGURE 02 (SHEET 1)



3

DETAIL C

2610T7005
 A2614T1430
 AA2614T1430
 BB2614T1429
 BB2614T1454

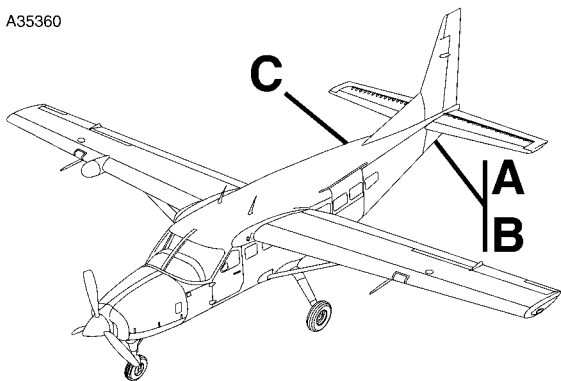
CESSNA®
MODEL 208
 ILLUSTRATED PARTS CATALOG


| FIG ITEM | PART NUMBER | NOMENCLATURE | UNITS PER ASSY | |
|-------------|-------------|--|----------------------|----|
| | | | 1 2 3 4 5 6 7 | |
| 02 | | CHINESE EXTERIOR PLACARDS AND MARKINGS - TKS | | RF |
| - | | . PLACARD-OPERATIONAL LIMITS-FSO S4268-5 | 00532 & ON | NP |
| - 1 | S4268-1 | | B2270 & ON | |
| 2 | S4268-5 | . PLACARD-OPERATIONAL LIMITS | 00532 & ON | 01 |
| | | | B2270 & ON | |
| 3 | S4268-2 | . PLACARD-CAUTION | 00532 & ON | 01 |
| | | | B2270 & ON | |
| - 4 | S4268-6 | . PLACARD-FILL CAP FSO S4268-8 | 00532 & ON | NP |
| | | | B2270 & ON | |
| 4A | S4268-8 | . PLACARD-FILL CAP REFER TO NOTE 1 | 00532 & ON | 01 |
| | | | B2270 & ON | |
| - 5 | S4268-4 | . PLACARD-FILL CAP FSO S4268-7 | 00532 & ON | NP |
| | | | B2270 & ON | |
| 5A | S4268-7 | . PLACARD-FILL CAP REFER TO NOTE 1 | 00532 & ON | 01 |
| | | | B2270 & ON | |

NOTE 1—AIRPLANES -0532 & ON AND -B2270 & ON, AND AIRPLANES -B2164 THRU -B2326 INCORORATING CAB-30-01 R

CESSNA®
MODEL 208
 ILLUSTRATED PARTS CATALOG

A35360




| | | |
|--------------------------------|----------------------|--|
| Aircraft Identification | |  Cessna A Textron Company Manufactured By Cessna Aircraft Company Wichita, Kansas |
| UNIT NO. | SERIAL NO. | |
| <input type="text"/> | <input type="text"/> | |
| TC | PC | |
| <input type="text"/> | <input type="text"/> | |
| MODEL | <input type="text"/> | |


1
DETAIL A



3
DETAIL C

| | | |
|--------------------------------|----------------------|---|
| Aircraft Identification | |  Cessna Manufactured by Textron Aviation Inc. Wichita, KS USA |
| UNIT NO. | SERIAL NO. | |
| <input type="text"/> | <input type="text"/> | |
| TC | PC 4 | |
| <input type="text"/> | <input type="text"/> | |
| MODEL | <input type="text"/> | |

1A
DETAIL A

| | | |
|--|----------------------|---|
| Aircraft Identification | |  Cessna Manufactured by Textron Aviation Inc. Wichita, KS USA |
| UNIT NO. | SERIAL NO. | |
| <input type="text"/> | <input type="text"/> | |
| TC | PC 4 | |
| <input type="text"/> | <input type="text"/> | |
| MODEL | <input type="text"/> | |
| <small>THIS PRODUCT OR COMPONENTS THEREOF MAY BE COVERED BY ONE OR MORE PATENTS OR PENDING APPLICATIONS. SEE: TXTAV.COM/PATENTS FOR DETAILS.</small> | | |

1B
DETAIL A



2
DETAIL B

CHINESE EXTERIOR PLACARDS AND MARKINGS - EMPENNAGE AND REAR BAGGAGE
 FIGURE 01 (SHEET 1)

2610T7005

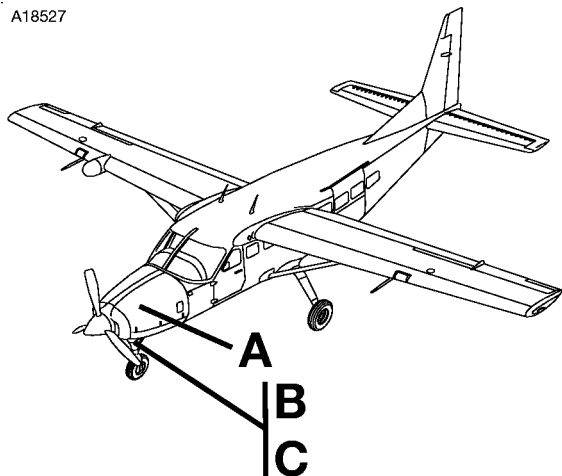
CESSNA®
MODEL 208
 ILLUSTRATED PARTS CATALOG

| FIG ITEM | PART NUMBER | NOMENCLATURE | UNITS | |
|-------------|-------------|--|-------------|------|
| | | | PER | ASSY |
| | | 1 2 3 4 5 6 7 | | |
| 01 | | CHINESE EXTERIOR PLACARDS AND MARKINGS - EMPENNAGE AND REAR | | RF |
| - | | BAGGAGE | | |
| 1 | S2807-1 | . NAMEPLATE-EXTERIOR AIRCRAFT IDENTIFICATION REFER TO NOTE 1 . . . | 0129 0572 | 01 |
| | | | B0077 B5223 | |
| 1A | S4441-1 | . NAMEPLATE-REFER TO NOTE 1 | 0573 0616 | 01 R |
| | | | B5224 B5474 | |
| 1B | S4441-11 | . NAMEPLATE-REFER TO NOTE 1 | 0617 & ON | 01 R |
| | | | B5475 & ON | |
| 2 | 2615166-49 | . PLACARD-RUDDER GUST LOCK | | 01 |
| 3 | 2615166-51 | . PLACARD-OXYGEN FILLER | | 01 |

NOTE 1—WHEN ORDERING PART, OWNER MUST SEND A NOTORIZED DOCUMENT STATING REASON FOR ORDERING A NEW ID PLATE, TYPE CERTIFICATE NUMBER, PRODUCTION CERTIFICATE NUMBER, ID PLATE NUMBER, AND MODEL NUMBER. OLD ID PLATE FROM AIRPLANE SHOULD BE ATTACHED TO THE ORDER, IF AVAILABLE. IF NOT ATTACHED, NEW PLATE WILL BE STAMPED "DUPLICATE".

CESSNA®
MODEL 208
ILLUSTRATED PARTS CATALOG

A18527



WARNING

警告

PRESSURIZED OIL TANK

增压滑油箱

ENSURE OIL DIPSTICK IS SECURE

确保滑油量尺安全可靠

2615166-27

1

DETAIL A

WARNING

警告

**MAXIMUM
TOW LIMIT**

最大牵引限制

2615166-38

3

DETAIL C

CAUTION

警示

**DO NOT TOW AIRCRAFT WITH
RUDDER LOCK ENGAGED**

舵面锁锁定时不能拖飞机

2615166-29

2

DETAIL B

2610T7005

CHINESE EXTERIOR PLACARDS AND MARKING - COWLING
FIGURE 01 (SHEET 1)

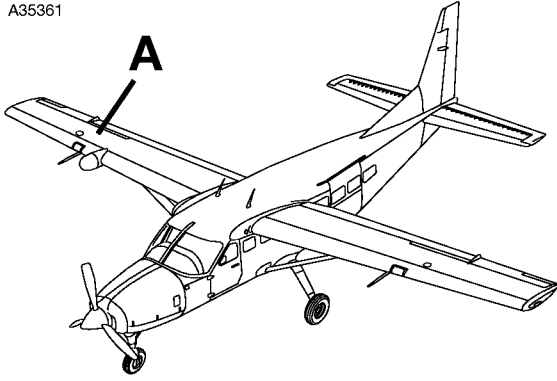
CESSNA®
MODEL 208
 ILLUSTRATED PARTS CATALOG

| FIG ITEM | PART NUMBER | NOMENCLATURE | UNITS PER ASSY | |
|-------------|-------------|---|----------------------|-----------|
| | | | 1 2 3 4 5 6 7 | |
| 01 | | CHINESE EXTERIOR PLACARDS AND MARKING - COWLING | | RF R |
| - | | . PLACARD-OIL TANK | | 01 R |
| 1 | 2615166-27 | . PLACARD-TOWING | | 02 R |
| 2 | 2615166-29 | . PLACARD-TOW LIMIT | | 02 R |
| 3 | 2615166-38 | . PLACARD-ENGINE OIL CAPACITY | 0354 | 0354 01 R |
| - 4 | 2615166-31 | | 0360 | & ON |
| | | | B0952 | & ON |
| - 5 | 2615166-40 | . PLACARD ASSY-EXTERNAL POWER | 0354 | 0354 02 R |
| | | | 0360 | & ON |
| | | | 0952 | & ON |

- ITEM NOT ILLUSTRATED

CESSNA®
MODEL 208
ILLUSTRATED PARTS CATALOG

A35361



1
DETAIL A

CHINESE EXTERIOR PLACARDS AND MARKINGS - WINGS
FIGURE 01 (SHEET 1)

2610T7005

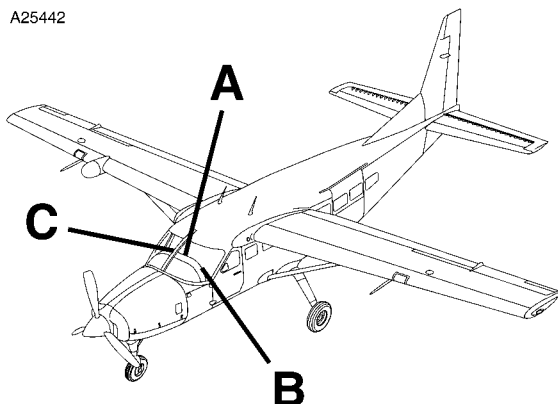
CESSNA®
MODEL 208
 ILLUSTRATED PARTS CATALOG

| FIG ITEM | PART NUMBER | 1 2 3 4 5 6 7 | NOMENCLATURE | UNITS |
|-------------|-------------|---------------|--|-------------|
| | | | | PER ASSY |
| 01 | | | | |
| - | | | CHINESE EXTERIOR PLACARDS AND MARKINGS - WINGS | RF R |
| 1 | 2615166-61 | | . PLACARD-FLUX VALVE | 01 R |

- ITEM NOT ILLUSTRATED

CESSNA®
MODEL 208
 ILLUSTRATED PARTS CATALOG

A25442



WARNING

ASSURE THAT SEAT IS LOCKED IN POSITION PRIOR TO TAXI, TAKE-OFF AND LANDING. FAILURE TO PROPERLY LATCH SEAT AND HEED ALL SAFETY INSTRUCTIONS CAN RESULT IN BODILY INJURY OR DEATH.

警告

滑行, 起飞和着陆前, 确保座椅在其位置上锁定。
 如座椅没锁定好和没有留意安全说明, 会造成身体伤害。

2615166-54

1
DETAIL A

WARNING

ASSURE THAT ALL CONTAMINANTS, INCLUDING WATER, ARE REMOVED FROM FUEL AND FUEL SYSTEM BEFORE FLIGHT. FAILURE TO ASSURE CONTAMINANT FREE FUEL AND HEED ALL SAFETY INSTRUCTIONS AND OWNER ADVISORIES PRIOR TO FLIGHT CAN RESULT IN BODILY INJURY OR DEATH.

警告

飞行前确保燃油和燃油系统中的污染物包括水已被去除。
 如飞行前不能确保燃油中无污染物且没有留意所有的安全说明和操作者咨询, 会造成身体伤害。

2615166-56

2
DETAIL A

WHEN TAKEOFF TORQUE SETTINGS ARE BELOW 1865 FT - LBS, THE AIR CONDITIONER MUST BE OFF FOR TAKEOFF AND LANDING

起飞扭矩设置低于 **1865 FT - LBS** 时, 起飞和着陆 必须把空调关断

3
DETAIL B

WHEN TAKEOFF TORQUE SETTINGS ARE BELOW 2397 FT - LBS, THE AIR CONDITIONER MUST BE OFF FOR TAKEOFF AND LANDING

- 起飞扭矩设置低于 **2397 FT - LBS** 时, 起飞和着陆必须把空调关断 S4385-1

3A
DETAIL B

OPERATION OF THE AIR CONDITIONER MAY CAUSE COMPASS DEVIATION OF MORE THAN 10 DEGREES

使用空调可造成罗盘偏离大于 **10 度**

4
DETAIL C

2610T7005

CHINESE INTERIOR PLACARDS AND MARKINGS - FLIGHT COMPARTMENT
 FIGURE 01 (SHEET 1)

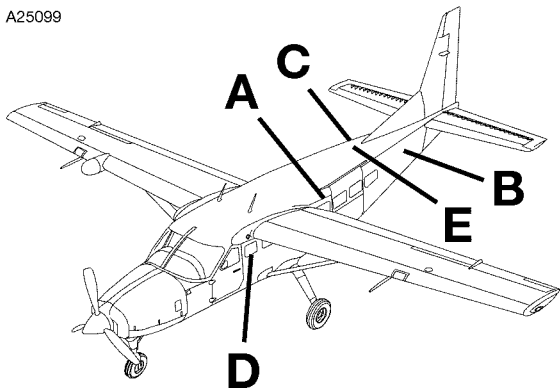
CESSNA®
MODEL 208
 ILLUSTRATED PARTS CATALOG

| FIG ITEM | PART NUMBER | NOMENCLATURE | UNITS PER ASSY | | |
|-------------|-------------|---|----------------------|-------|------|
| | | | 1 | 2 | 3 |
| 01 | | CHINESE INTERIOR PLACARDS AND MARKINGS - FLIGHT COMPARTMENT | | | RF |
| - | | . PLACARD ASSY-SEAT LOCK | 0354 | 0573 | 01 R |
| 1 | 2615166-54 | | B0952 | B5224 | |
| - 1A | S4406-2 | . PLACARD ASSY-SEAT LOCK | 0574 | & ON | 01 R |
| | | | B5225 | & ON | |
| 2 | 2615166-56 | . PLACARD ASSY- FUEL CONTAMINANTS | 0354 | 0573 | 01 R |
| - 2A | S4406-3 | . PLACARD ASSY- FUEL CONTAMINANTS | B0952 | B5224 | |
| | | | 0574 | & ON | 01 R |
| 3 | 2615166-58 | . PLACARD-TORQUE SETTING WITH AIR CONDITIONING | B5225 | & ON | |
| 3A | S4385-1 | . PLACARD-TORQUE SETTING WITH AIR CONDITIONING | 0354 | 0573 | 01 R |
| | | | B0952 | B5224 | |
| 4 | 2615166-59 | . PLACARD-COMPASS DEVIATION WITH AIR CONDITIONING | 0574 | & ON | 01 R |
| - 4A | S4406-1 | . PLACARD-COMPASS DEVIATION WITH AIR CONDITIONING | B5225 | & ON | |
| | | | 0354 | 0573 | 01 R |
| | | | B0952 | B5224 | |
| | | | 0574 | & ON | 01 R |
| | | | B5225 | & ON | |

- ITEM NOT ILLUSTRATED

CESSNA®
MODEL 208
 ILLUSTRATED PARTS CATALOG

A25099



LIGHTS 灯

1
 DETAIL A

ELT 位于该面之后
 ELT IS LOCATED BEHIND
 THIS SURFACE
 S4267-1

11
 DETAIL E

CABIN 座舱

3
 DETAIL A

EMERGENCY LOCATOR TRANSMITTER INSTALLED
 AFT OF THIS PARTITION. MUST BE SERVICED
 IN ACCORDANCE WITH FAR PART 91.207.
 应急定位器发射机装在此壁板后面，必须
 按照联邦航空条例 (FAR) 91.207 部规定使用。
 2615169-28

10
 DETAIL E

EMERGENCY LOCATOR TRANSMITTER INSTALLED
 AFT OF THIS PARTITION. MUST BE SERVICED
 IN ACCORDANCE WITH FAR PART 91.52.
 应急定位器发射机装在此壁板后面，必须
 按照联邦航空条例 (FAR) 91.52 部规定使用。
 2615166-9

5
 DETAIL B

LIFE VEST UNDER SEAT
 救生衣在您座椅下
 2615168-33

9
 DETAIL D

PUSH TO ACCESS E.L.T. SWITCH
 推开可触及应急定位发射机开关
 ON 开
 OPERATION 操作 OFF 关
 AUTO 自动
 2615166-11

6
 DETAIL B

FASTEN SEAT BELT WHILE SEATED
 就座时请系好安全带
 2615168-32

8
 DETAIL D

MAX BAGGAGE 325 LBS. REFER TO WEIGHT AND
 BALANCE DATA FOR BAGGAGE/CARGO LOADING
 行李上限重 147 kg, 参照行李/货物装载平衡数据
 2615166-10

7
 DETAIL C

2610T7005

CHINESE INTERIOR PLACARDS AND MARKINGS - CABIN
 FIGURE 01 (SHEET 1)

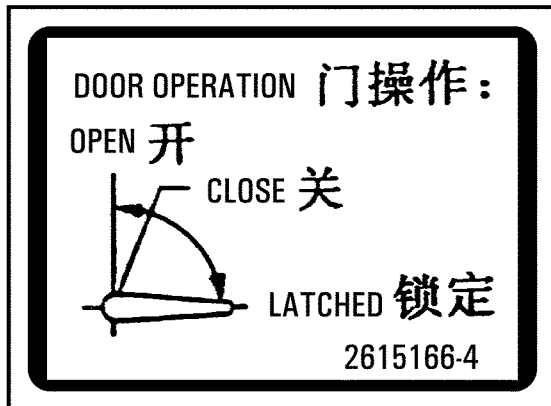
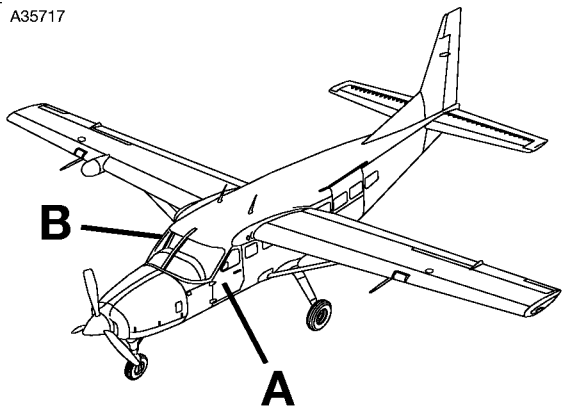
CESSNA®
MODEL 208
 ILLUSTRATED PARTS CATALOG

| FIG ITEM | PART NUMBER | NOMENCLATURE | UNITS PER ASSY | | |
|-------------|-------------|--|----------------------|-------|------|
| | | | 1 | 2 | 3 |
| 01 | | CHINESE INTERIOR PLACARDS AND MARKINGS - CABIN | | | RF |
| - 1 | 2615166-16 | . PLACARD-LIGHT SWITCH | 0241 | 0333 | 01 |
| | | | B0378 | B0885 | |
| - 2 | 2615166-16 | . PLACARD-LIGHT SWITCH | 0334 | & ON | 02 |
| | | | B0886 | & ON | |
| 3 | 2615166-20 | . PLACARD-CABIN LIGHTS | 0241 | 0333 | 01 |
| | | | B0378 | B0885 | |
| - 4 | 2615166-20 | . PLACARD-CABIN LIGHTS | 0334 | & ON | 02 |
| | | | B0886 | & ON | |
| 5 | 2615166-9 | . PLACARD-EMERGENCY LOCATOR | | | 01 |
| 6 | 2615166-11 | . PLACARD-ELT SWITCH | | | 01 |
| 7 | 2615166-10 | . PLACARD-LOAD LIMITS | | | 01 |
| 8 | 2615166-32 | . PLACARD-SEAT BELT | 0334 | 0573 | 11 R |
| | | | B0886 | B5224 | |
| - 8A | S4406-6 | . PLACARD-SEAT BELT | 0574 | & ON | 11 R |
| | | | B5224 | & ON | |
| 9 | 2615166-33 | . PLACARD-LIFE VEST | 0334 | 0573 | 11 R |
| | | | B0886 | B5224 | |
| - 9A | S4406-7 | . PLACARD-LIFE VEST | 0574 | & ON | 11 R |
| | | | B5224 | & ON | |
| 10 | 2615166-26 | . PLACARD-EMERGENCY LOCATOR | | | 01 |
| 11 | S4267-1 | . PLACARD-ELT LOCATION | | | 01 |

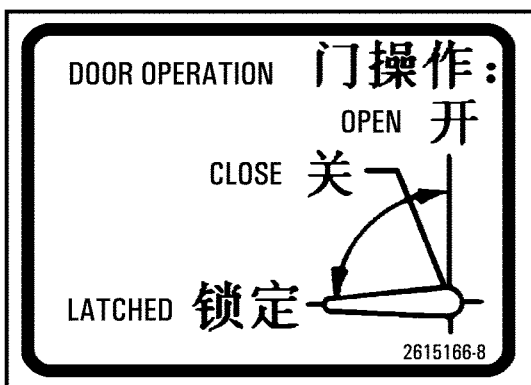
- ITEM NOT ILLUSTRATED

CESSNA®
MODEL 208
 ILLUSTRATED PARTS CATALOG

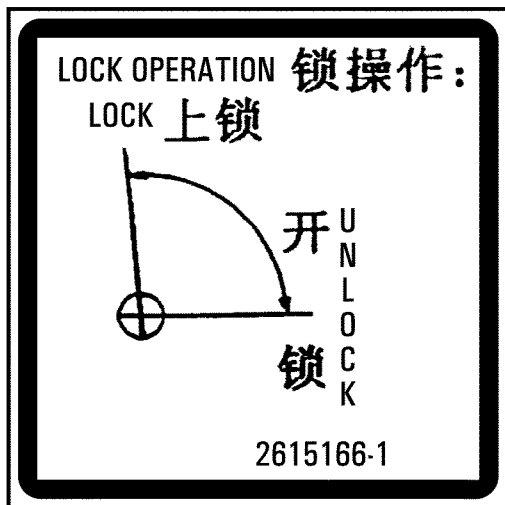
A35717



1
 DETAIL A



4
 DETAIL B



3
 DETAIL B



2
 DETAIL A

2610T7005

CHINESE INTERIOR PLACARDS AND MARKINGS - CABIN DOORS
 FIGURE 01 (SHEET 1)

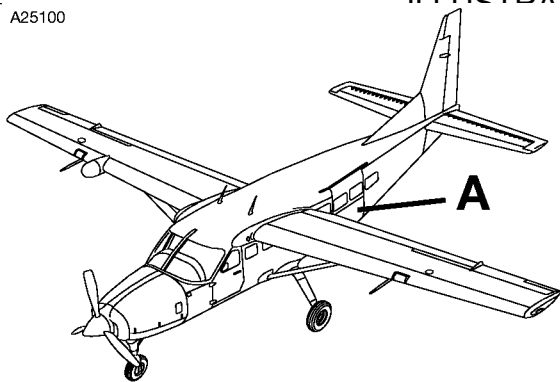
CESSNA®
MODEL 208
 ILLUSTRATED PARTS CATALOG

| FIG ITEM | PART NUMBER | NOMENCLATURE | UNITS |
|-------------|-------------|--|-------------|
| | | | PER ASSY |
| | | 1 2 3 4 5 6 7 | |
| 01 | | | |
| - | | CHINESE INTERIOR PLACARDS AND MARKINGS - CABIN DOORS | RF |
| 1 | 2615166-4 | . PLACARD-LH CREW DOOR | 01 |
| 2 | 2615166-5 | . PLACARD-LOCK OVERRIDE | 01 |
| 3 | 2615166-1 | . PLACARD-RH CREW DOOR | 01 |
| 4 | 2615166-8 | . PLACARD-DOOR OPERATION | 01 |

- ITEM NOT ILLUSTRATED

CESSNA®
MODEL 208
 ILLUSTRATED PARTS CATALOG

A25100



DOOR OPERATION
 门的操作:

TO OPEN 开门
 PULL HANDLE INBD &
 ROTATE
 拉出手柄并转动

TO CLOSE 关门
 ROTATE HANDLE & STOW
 转动手柄并收好

2615166-2

75
DETAIL A

PUSH ►
 推

80
DETAIL A

DOOR OPERATION 门的操作:

OPEN 开 ← → CLOSE 关
 LOWER DOOR HANDLE 下门手柄

26115166-12

76
DETAIL A

OPEN
 开

79
DETAIL A

EXIT 出口

77
DETAIL A

EMERGENCY EXIT
 紧急出口

78
DETAIL A

2610T7005

CHINESE INTERIOR PLACARDS AND MARKINGS - CABIN DOORS
 FIGURE 01 (SHEET 2)

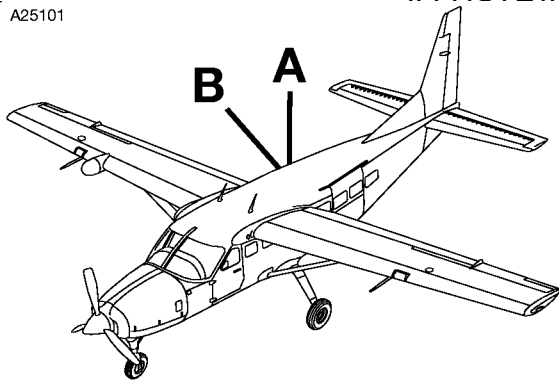
CESSNA®
MODEL 208
 ILLUSTRATED PARTS CATALOG

| FIG ITEM | PART NUMBER | NOMENCLATURE | UNITS PER ASSY | | |
|-------------|-------------|--|----------------------|---------------|------|
| | | | 1 | 2 | 3 |
| 01 | | | | | |
| 75 | 2615166-2 | . PLACARD-UPR CARGO DOOR | | | 01 |
| 76 | 2615166-12 | . PLACARD-LWR CARGO DOOR | | | 01 |
| 77 | 2615166-14 | . PLACARD-EXIT SIGN ASSY | | | 01 |
| - 77A | 2615166-72 | . PLACARD-EXIT SIGN ASSY-REFER TO NOTE 1 | 0520 B2168 | 0573 B5225 | 01 R |
| 78 | 2615166-17 | . PLACARD-EMERGENCY EXIT DOOR | | | 01 |
| 79 | 2615166-18 | . PLACARD-EMERGENCY OPEN DOOR | | | 01 |
| 80 | 2615166-19 | . PLACARD-EMERGENCY PUSH DOOR | | | 01 |

NOTE 1—ALSO USED WITH LOW AIRSPEED AWARENESS OPTION

CESSNA®
MODEL 208
 ILLUSTRATED PARTS CATALOG

A25101



DOOR OPERATION 门操作:

TO OPEN 开门
 PULL HANDLE INBD & ROTATE
 拉出手柄并转动

TO CLOSE 关门
 ROTATE HANDLE & STOW
 转动手柄并收好

2615166-6

150
DETAIL A

WARNING
 警告

OUTSIDE PROXIMITY OF LOWER DOOR
 MUST BE CLEAR BEFORE OPENING
 打开门之前必须清除门外侧区域的杂物。

2615166-35

154
DETAIL B

WARNING 警告

OUTSIDE PROXIMITY OF LOWER DOOR
 MUST BE CLEAR BEFORE OPENING
 下门外邻近处开门前必须清除障碍物

2615166-3

151
DETAIL A

DOOR OPERATION 门的操作:

CLOSE 关 ← → OPEN 开

LOWER DOOR HANDLE 下门手柄

26115186-7

152
DETAIL A

PASSENGER AIRSTAIR DOOR MUST NOT BE
 OPENED IN FLIGHT WITH CARGO DOOR REMOVED
 货舱门撤除后飞行中不准打开旅客随机梯门

2615166-13

153
DETAIL A

2610T7005

CHINESE INTERIOR PLACARDS AND MARKINGS - CABIN DOORS
 FIGURE 01 (SHEET 3)

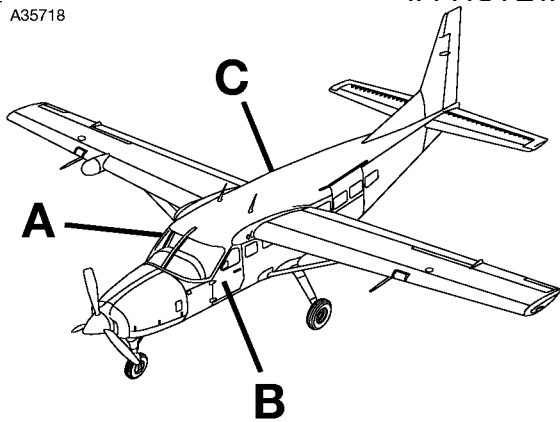
CESSNA®
MODEL 208
 ILLUSTRATED PARTS CATALOG

| FIG ITEM | PART NUMBER | NOMENCLATURE | UNITS PER ASSY | |
|-------------|-------------|---|----------------------|------|
| | | | 1 2 3 4 5 6 7 | |
| 01 | | | | |
| 150 | 2615166-6 | . PLACARD-UPPER PASSENGER DOOR | | 01 |
| 151 | 2615166-3 | . PLACARD-LOWER PASSENGER DOOR | | 01 |
| 152 | 2615166-7 | . PLACARD-LOWER PASSENGER DOOR | | 01 |
| 153 | 2615166-13 | . PLACARD-AIR DEFLECTOR UPPER CABIN DOOR | | 01 R |
| | | | 0241 0573 | |
| | | | B0378 B5224 | |
| - 153A | S4406-4 | . PLACARD-AIR DEFLECTOR UPPER CABIN DOOR | 0574 & ON | 01 R |
| | | | B5225 & ON | |
| 154 | 2615166-34 | . PLACARD ASSY-LOWER PASSENGER DOOR WARNING | 0354 0573 | 01 R |
| - 154A | S4406-5 | . PLACARD ASSY-LOWER PASSENGER DOOR WARNING | 0574 & ON | 01 R |
| | | | B5225 & ON | |

- ITEM NOT ILLUSTRATED

CESSNA®
MODEL 208
 ILLUSTRATED PARTS CATALOG

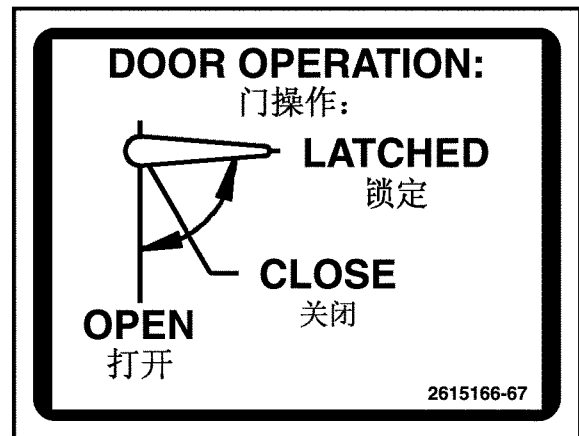
A35718



225
DETAIL A



227
DETAIL C



226
DETAIL B

2610T7005

CHINESE INTERIOR PLACARDS AND MARKINGS - CABIN DOORS
 FIGURE 01 (SHEET 4)

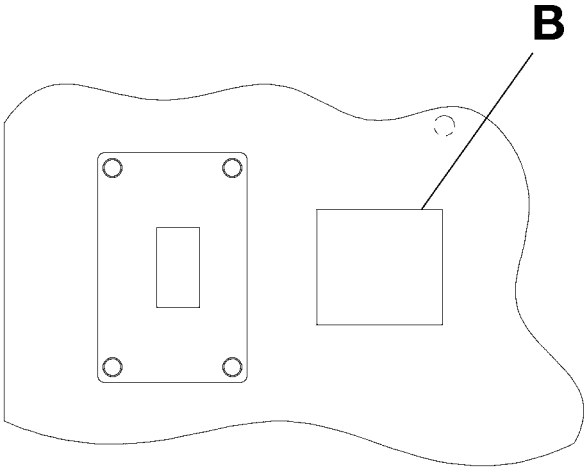
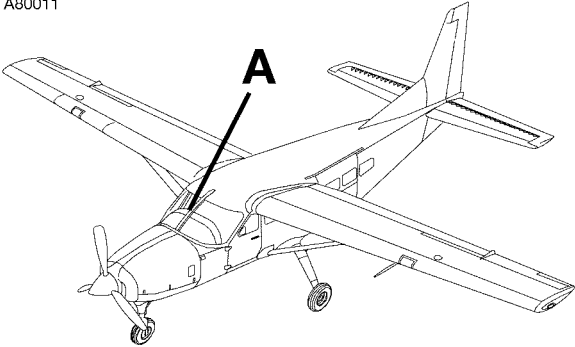
CESSNA®
MODEL 208
 ILLUSTRATED PARTS CATALOG

| FIG ITEM | PART NUMBER | NOMENCLATURE | UNITS PER ASSY | | |
|-------------|-------------|---|----------------------|------|----|
| | | | 1 | 2 | 3 |
| 01 | | | | | |
| 225 | 2615166-69 | . PLACARD ASSY-RH CREW DOOR | 0354 | 0354 | 01 |
| | | | 0360 | & ON | |
| | | | 0952 | & ON | |
| - 225A | S4406-10 | . PLACARD-RH CREW DOOR ALT FOR 2615166-69 REFER TO NOTE 1 | | | 01 |
| 226 | 2615166-66 | . PLACARD ASSY-LH CREW DOOR | 0354 | 0354 | 01 |
| | | | 0360 | & ON | |
| | | | 0952 | & ON | |
| - 226A | S4406-9 | . PLACARD-LH CREW DOOR ALT FOR 2615166-66 REFER TO NOTE 1 | | | 01 |
| 227 | 2615166-63 | . PLACARD ASSY-PASSENGER DOOR | 0354 | 0354 | 01 |
| | | | 0360 | & ON | |
| | | | 0952 | & ON | |
| - 227A | S4406-8 | . PLACARD-PASSENGER DOOR ALT FOR 2615166-63 REFER TO NOTE 1 . . . | | | 01 |

NOTE 1—USED ON CONTRASTING AIRCRAFT PAINT SCHEMES

CESSNA®
MODEL 208
ILLUSTRATED PARTS CATALOG

A80011



DETAIL A
LOOKING FORWARD

FOR AVIATION
EMERGENCY
USE ONLY.
UNAUTHORIZED
OPERATION
PROHIBITED.

1
DETAIL B

CANADIAN INTERIOR PLACARDS AND MARKINGS - FLIGHT COMPARTMENT
FIGURE 01 (SHEET 1)

2610T7002
A2619T1174

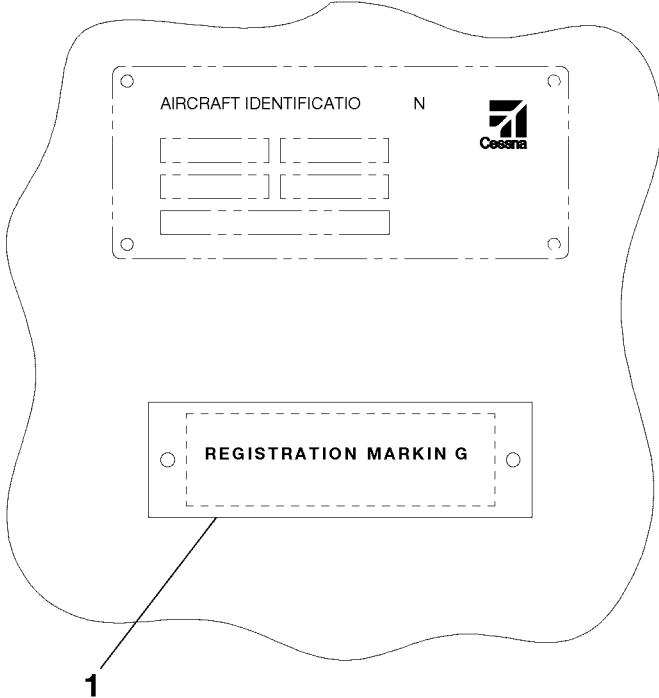
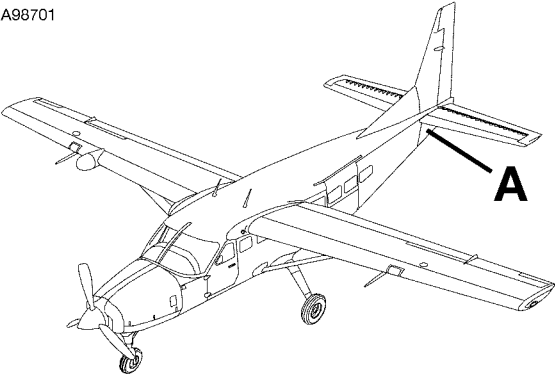
CESSNA®
MODEL 208
 ILLUSTRATED PARTS CATALOG

| FIG ITEM | PART NUMBER | 1 2 3 4 5 6 7 | NOMENCLATURE | UNITS PER ASSY | | |
|-------------|-------------|---------------|--|----------------------|------|------|
| | | | | | | |
| 01 | | | | | | |
| - | | | CANADIAN INTERIOR PLACARDS AND MARKINGS - FLIGHT COMPARTMENT | 0417 | & ON | RF R |
| | | | | B1289 | & ON | |
| 1 | 9505011-2 | | . PLACARD-ELT | | | 01 R |

- ITEM NOT ILLUSTRATED

CESSNA®
MODEL 208
ILLUSTRATED PARTS CATALOG

A98701



DETAIL A

2610T7005

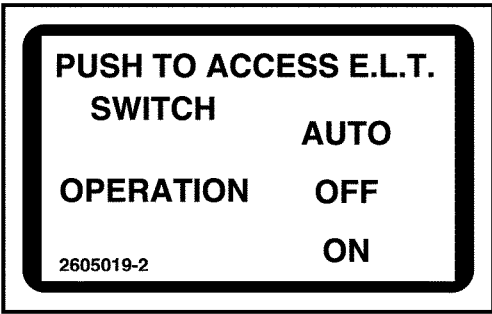
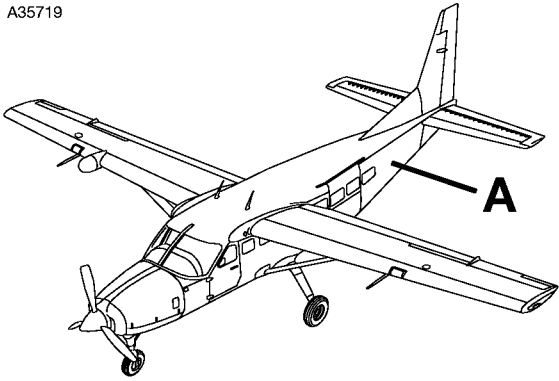
FRENCH EXTERIOR PLACARDS AND MARKINGS - EMPENNAGE AND REAR BAGGAGE
FIGURE 01 (SHEET 1)

CESSNA®
MODEL 208
 ILLUSTRATED PARTS CATALOG

| FIG ITEM | PART NUMBER | NOMENCLATURE | UNITS PER ASSY | |
|---|-------------|---|----------------------|----|
| | | | 1 2 3 4 5 6 7 | |
| 01 | | | | |
| - | | FRENCH EXTERIOR PLACARDS AND MARKINGS - EMPENNAGE AND REAR BAGGAGE | | RF |
| 1 | 6590008-17 | . CERTIFICATION PLATE REFER TO NOTE 1 | B5242 & ON | 01 |
| NOTE 1—USED ON EASA CERTIFIED AIRPLANES | | | | |

CESSNA®
MODEL 208
ILLUSTRATED PARTS CATALOG

A35719



1
DETAIL A

2610T7005

FRENCH INTERIOR PLACARDS AND MARKINGS - CABIN
FIGURE 01 (SHEET 1)

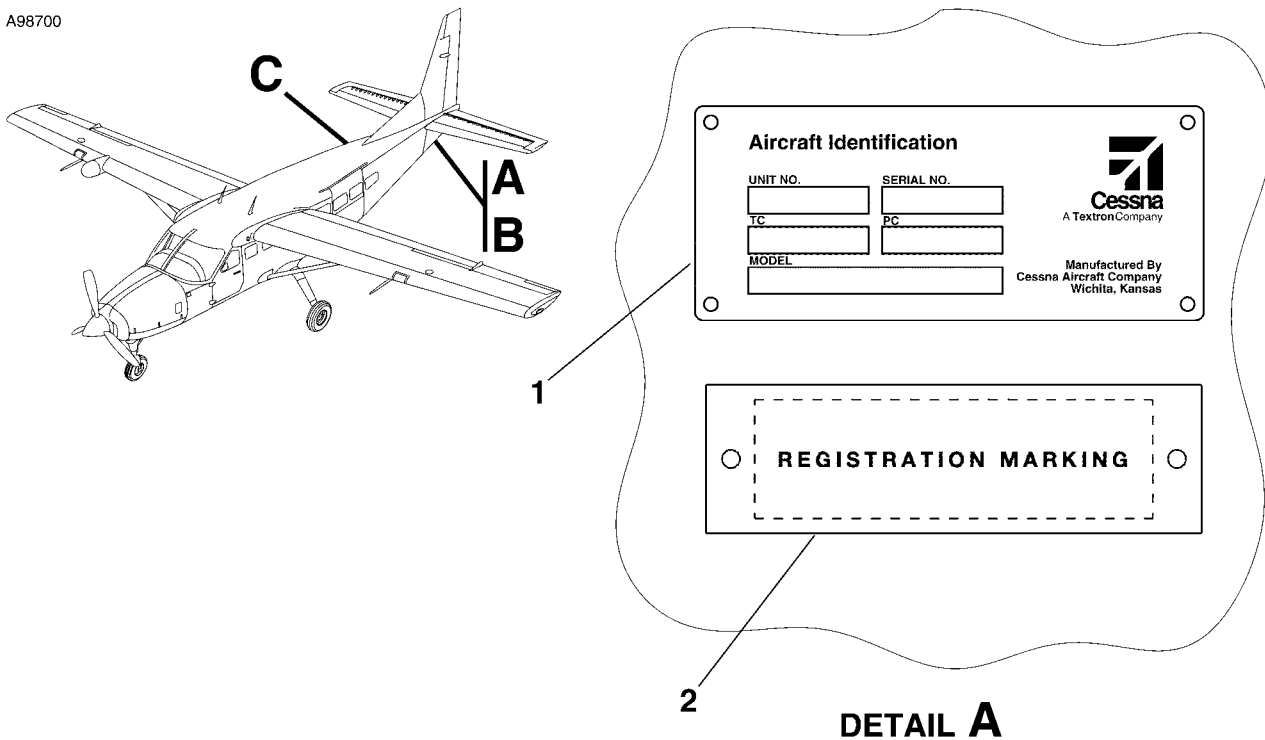
CESSNA®
MODEL 208
 ILLUSTRATED PARTS CATALOG

| FIG ITEM | PART NUMBER | NOMENCLATURE | UNITS PER ASSY | |
|-------------|-------------|---|-------------------------|------|
| | | | 1 2 3 4 5 6 7 | |
| 01 | | | | |
| - | | FRENCH INTERIOR PLACARDS AND MARKINGS - CABIN | | RF R |
| 1 | 2605019-2 | . PLACARD-ELT SWITCH OPERATION | 0202 & ON B0252 & ON | 01 R |

- ITEM NOT ILLUSTRATED

CESSNA®
MODEL 208
 ILLUSTRATED PARTS CATALOG

A98700



Aircraft Identification

| | |
|----------|------------|
| UNIT NO. | SERIAL NO. |
| TC | PC |
| MODEL | |

Cessna
 A Textron Company

Manufactured By
 Cessna Aircraft Company
 Wichita, Kansas

REGISTRATION MARKING

DETAIL A

Aircraft Identification

| | |
|----------|------------|
| UNIT NO. | SERIAL NO. |
| TC | PC 4 |
| MODEL | |

Cessna

Manufactured by
 Textron Aviation Inc.
 Wichita, KS USA

**1A
 DETAIL A**

Aircraft Identification

| | |
|----------|------------|
| UNIT NO. | SERIAL NO. |
| TC | PC 4 |
| MODEL | |

Cessna

Manufactured by
 Textron Aviation Inc.
 Wichita, KS USA

THIS PRODUCT OR COMPONENTS THEREOF MAY BE COVERED BY ONE OR MORE PATENTS OR PENDING APPLICATIONS. SEE: TXTAV.COM/PATENTS FOR DETAILS.

**1B
 DETAIL A**

2610T7005

BRITISH EXTERIOR PLACARDS AND MARKINGS - EMPENNAGE AND REAR BAGGAGE
 FIGURE 01 (SHEET 1)

CESSNA®
MODEL 208
 ILLUSTRATED PARTS CATALOG

| FIG ITEM | PART NUMBER | NOMENCLATURE | UNITS PER ASSY | |
|-------------|-------------|---|----------------------|------|
| | | | 1 2 3 4 5 6 7 | |
| 01 | | BRITISH EXTERIOR PLACARDS AND MARKINGS - EMPENNAGE AND REAR | | RF |
| - | | BAGGAGE | | |
| 1 | S2807-1 | . NAMEPLATE REFER TO NOTE 1 | 0129 0572 | 01 |
| | | | B0077 B5223 | |
| 1A | S4441-1 | . NAMEPLATE REFER TO NOTE 1 | 0573 0616 | 01 R |
| | | | B5224 B5474 | |
| 1B | S4441-11 | . NAMEPLATE REFER TO NOTE 1 | 0617 & ON | 01 R |
| | | | B5475 & ON | |
| 2 | 6590008-17 | . CERTIFICATION PLATE REFER TO NOTE 2 AND NOTE 3 | B1264 B1999 | 01 |
| | | | B5242 & ON | |

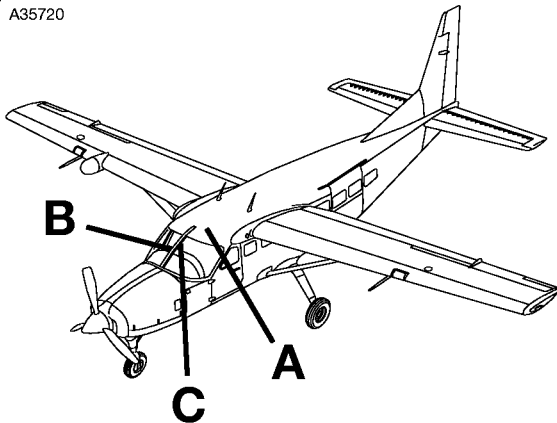
NOTE 1—WHEN ORDERING THIS PART, OWNER MUST SEND A NOTORIZED DOCUMENT STATING REASON FOR ORDERING A NEW ID PLATE, TYPE CERTIFICATE NUMBER, PRODUCTION CERTIFICATE NUMBER, ID PLATE NUMBER, AND MODEL NUMBER. OLD ID PLATE FROM AIRPLANE SHOULD BE ATTACHED TO THE ORDER, IF AVAILABLE. IF NOT ATTACHED, NEW PLATE WILL BE STAMPED "DUPLICATE".

NOTE 2—USED ON BRITISH CERTIFIED AIRCRAFT

NOTE 3—USED ON EASA CERTIFIED AIRCRAFT

CESSNA®
MODEL 208
 ILLUSTRATED PARTS CATALOG

A35720



The markings and placards installed in this airplane contain operating limitations which must be complied with when operating this airplane. Other operating limitations which must be complied with when operating this airplane are contained in the Pilot's Operating Handbook and FAA Approved Airplane Flight Manual or the British Aeroplane Flight Manual.

No acrobatic maneuvers, including spins, approved.
 Flight into known icing conditions prohibited.

This airplane is certified for the following flight operations as of date of original airworthiness certificate:
DAY - NIGHT - VFR

2605054-1

1
DETAIL A

TO OBTAIN ACCURATE MAGNETIC COMPASS READING,
 TURN AIR CONDITIONING AND WINDSHIELD
 ANTI-ICE SYSTEM OFF.

2605054-7

6
DETAIL C

The markings and placards installed in this airplane contain operating limitations which must be complied with when operating this airplane. Other operating limitations which must be complied with when operating this airplane are contained in the Pilot's Operating Handbook and FAA Approved Airplane Flight Manual or the British Aeroplane Flight Manual.

No acrobatic maneuvers, including spins, approved.
 Flight into known icing conditions prohibited.

This airplane is certified for the following flight operations as of date of original airworthiness certificate:
DAY - NIGHT - VFR - IFR

2605054-2

2
DETAIL A

DURING STANDBY ALTERNATOR OPERATION MAGNETIC
 COMPASS DEVIATION MAY EXCEED 5 DEGREES.

2605054-4

5
DETAIL C

**U.S.
 GALLONS**

4
DETAIL B

The markings and placards installed in this airplane contain operating limitations which must be complied with when operating this airplane. Other operating limitations which must be complied with when operating this airplane are contained in the Pilot's Operating Handbook and FAA Approved Airplane Flight Manual or the British Aeroplane Flight Manual.

No acrobatic maneuvers, including spins, approved.
 This airplane is approved for flights into icing conditions if the proper optional equipment is installed and operational.

This airplane is certified for the following flight operations as of date of original airworthiness certificate:
DAY - NIGHT - VFR - IFR

2605054-3

3
DETAIL A

2610T7005

BRITISH INTERIOR PLACARDS AND MARKINGS - FLIGHT COMPARTMENT
 FIGURE 01 (SHEET 1)

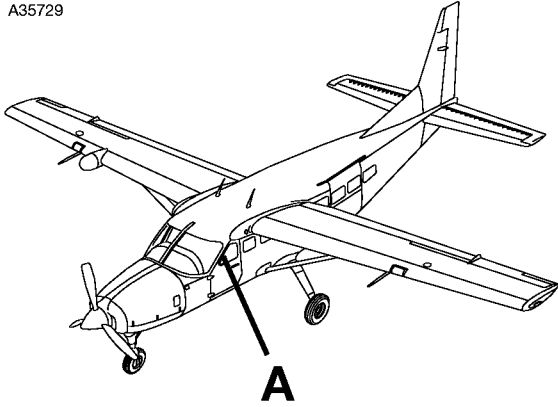
CESSNA®
MODEL 208
 ILLUSTRATED PARTS CATALOG

| FIG ITEM | PART NUMBER | NOMENCLATURE | UNITS PER ASSY | |
|-------------|-------------|---|-------------------------|----|
| | | | 1 2 3 4 5 6 7 | |
| 01 | | | | |
| - | | BRITISH INTERIOR PLACARDS AND MARKINGS - FLIGHT COMPARTMENT | | RF |
| 1 | 2605054-1 | . PLACARD-OPERATIONAL LIMITATIONS VFR | 0240 & ON B0365 & ON | 01 |
| 2 | 2605054-2 | . PLACARD-OPERATIONAL LIMITATIONS IFR | 0240 & ON B0365 & ON | 01 |
| 3 | 2605054-3 | . PLACARD-OPERATIONAL LIMITATIONS KNOWN ICING | 0240 & ON B0365 & ON | 01 |
| 4 | 2605054-6 | . PLACARD-FUEL | 0240 & ON B0365 & ON | 01 |
| 5 | 2605054-4 | . PLACARD-MAGNETIC COMPASS | 0240 & ON B0365 & ON | 01 |
| 6 | 2605054-7 | . PLACARD-AIR CONDITIONING REFER TO NOTE 1 | 0238 & ON B0365 & ON | 01 |

NOTE 1—AIRPLANES AIRPLANES -0240 & ON AND -B0365 AND ON, AND AIRPLANES -0140 THRU -0415, -0417 THRU -0499 AND AIRPLANES -B0214 THRU -B1189, -B1191 THRU -B1215, AND -B1217 THRU -B1999 INCORPORATING SK208-157A. R

CESSNA®
MODEL 208
ILLUSTRATED PARTS CATALOG

A35729



INSTALLATION OF ANY SEAT LEG
FORWARD OF THE EIGHTH HOLE
AFT OF FORWARD END OF THE
CARGO/SEAT TRACK IS PROHIBITED

2605054-8

1
DETAIL A

BRITISH INTERIOR PLACARDS AND MARKINGS - CABIN
FIGURE 01 (SHEET 1)

2610T7005

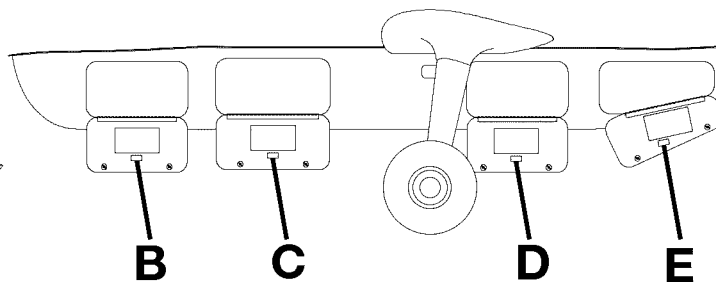
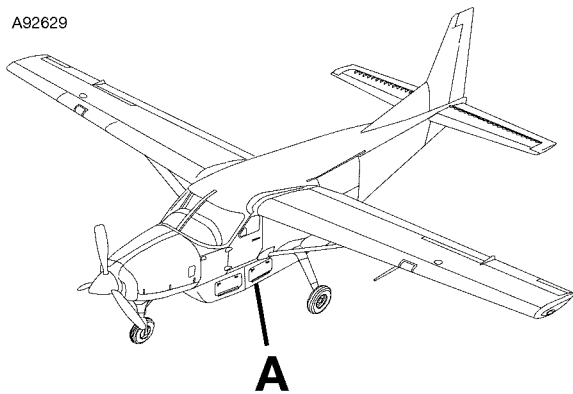
CESSNA®
MODEL 208
 ILLUSTRATED PARTS CATALOG

| FIG ITEM | PART NUMBER | 1 2 3 4 5 6 7 | NOMENCLATURE | UNITS PER ASSY | |
|-------------|-------------|---------------|--|-------------------------|------|
| | | | | | |
| 01 | | | | | |
| - | | | BRITISH INTERIOR PLACARDS AND MARKINGS - CABIN | | RF R |
| 1 | 2605054-8 | | . PLACARD-CAA-SEAT POSITION | 0240 & ON B0365 & ON | AR R |

- ITEM NOT ILLUSTRATED

CESSNA®
MODEL 208
 ILLUSTRATED PARTS CATALOG

A92629



DETAIL A

後方コンパートメント
 最大積載量 280 lbs.
 最大床面荷重 30 lbs./ft²
 端の鋭利な物品は積載しないこと
S4254-9

4
DETAIL E

前方コンパートメント
 最大積載量 230 lbs.
 最大床面荷重 30 lbs./ft²
 端の鋭利な物品は積載しないこと
S4254-6

1
DETAIL B

中央コンパートメント—後方
 最大積載量 270 lbs.
 最大床面荷重 30 lbs./ft²
 端の鋭利な物品は積載しないこと
S4254-8

3
DETAIL D

中央コンパートメント—前方
 最大積載量 310 lbs.
 最大床面荷重 30 lbs./ft²
 端の鋭利な物品は積載しないこと
S4254-7

2
DETAIL C

0410T1005
 A2610T1029

JAPANESE EXTERIOR PLACARDS AND MARKINGS - FUSELAGE
 FIGURE 01 (SHEET 1)

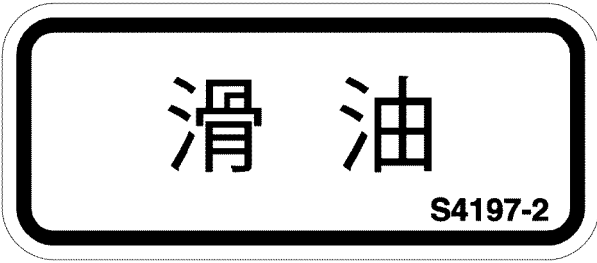
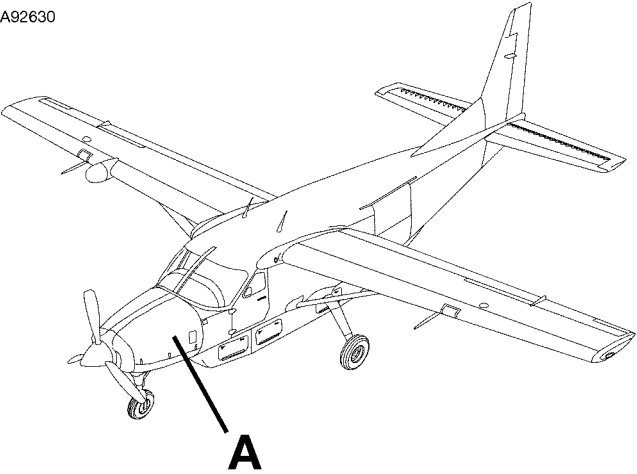
CESSNA®
MODEL 208
 ILLUSTRATED PARTS CATALOG

| FIG ITEM | PART NUMBER | NOMENCLATURE | UNITS PER ASSY | | |
|-------------|-------------|--|----------------------|------|----|
| | | | 1 | 2 | 3 |
| 01 | | | | | |
| - | | JAPANESE EXTERIOR PLACARDS AND MARKINGS - FUSELAGE | B2273 | & ON | RF |
| 1 | S4254-6 | . PLACARD-FORWARD COMPARTMENT | | | 01 |
| 2 | S4254-7 | . PLACARD-CENTER COMPARTMENT | | | 01 |
| 3 | S4254-8 | . PLACARD-CENTER AFT COMPARTMENT | | | 01 |
| 4 | S4254-9 | . PLACARD-AFT COMPARTMENT | | | 01 |

- ITEM NOT ILLUSTRATED

CESSNA®
MODEL 208
ILLUSTRATED PARTS CATALOG

A92630



1
DETAIL A

JAPANESE EXTERIOR PLACARDS AND MARKINGS - COWLING
FIGURE 01 (SHEET 1)

2610T7001

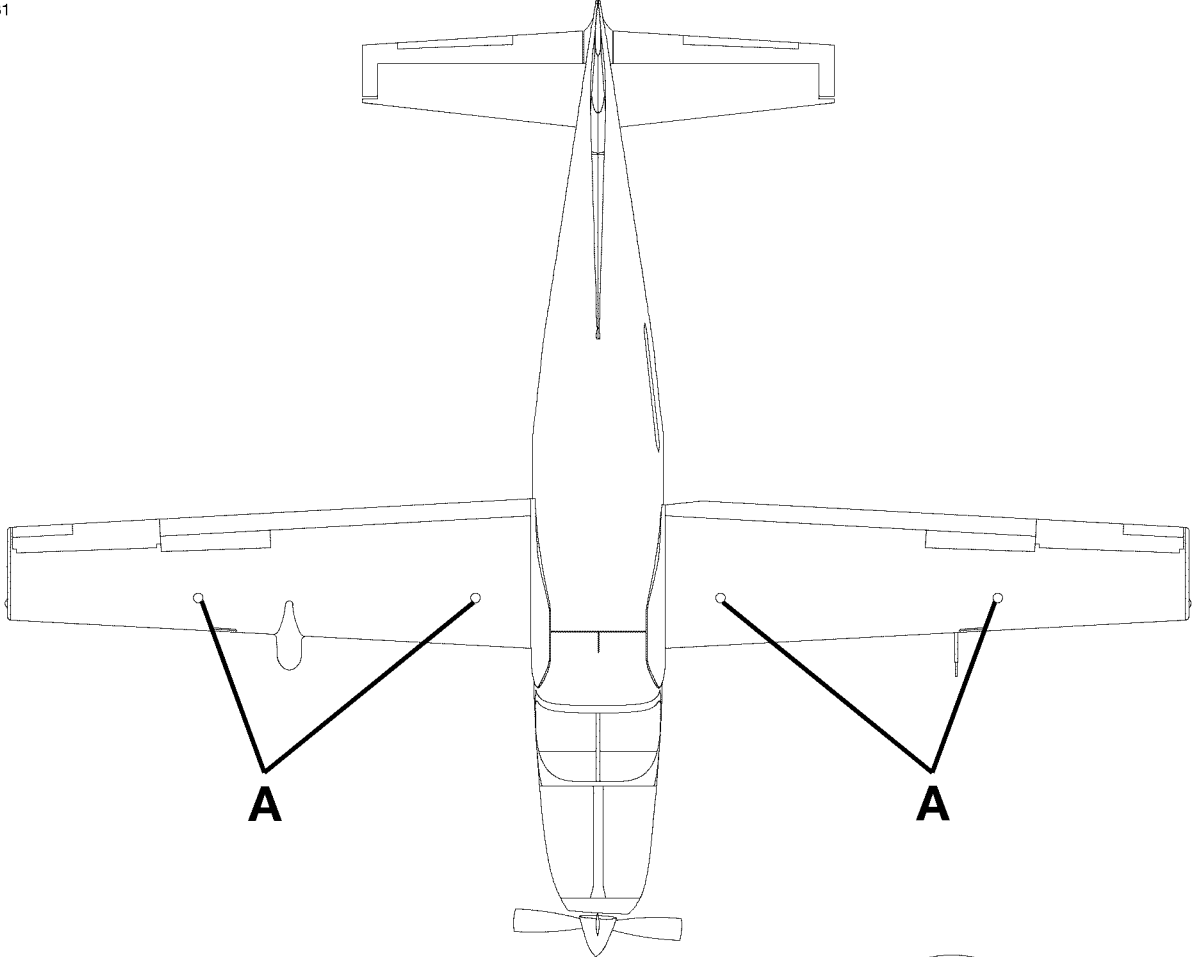
CESSNA®
MODEL 208
 ILLUSTRATED PARTS CATALOG

| FIG ITEM | PART NUMBER | 1 2 3 4 5 6 7 | NOMENCLATURE | UNITS PER ASSY | | |
|-------------|-------------|---------------|---|----------------------|------|----|
| | | | | B2273 | & ON | RF |
| 01 | | | JAPANESE EXTERIOR PLACARDS AND MARKINGS - COWLING | | | |
| - | | | . PLACARD-ENGINE OIL | | | 01 |
| 1 | S4197-2 | | | | | |

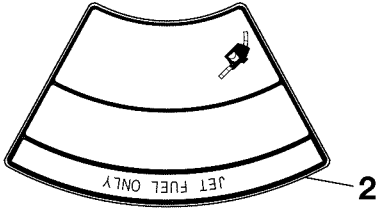
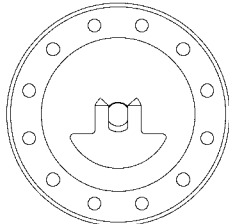
- ITEM NOT ILLUSTRATED

CESSNA®
MODEL 208
ILLUSTRATED PARTS CATALOG

A92631



1
DETAIL B



B

DETAIL A

2610T1028
A2610T1028

JAPANESE EXTERIOR PLACARDS AND MARKINGS - WINGS
FIGURE 01 (SHEET 1)

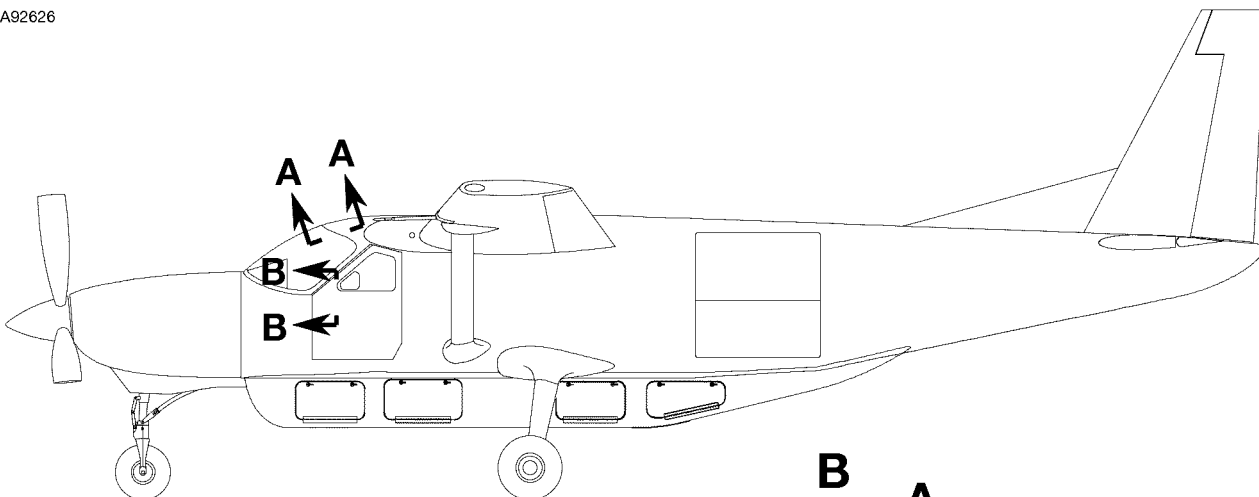
CESSNA®
MODEL 208
 ILLUSTRATED PARTS CATALOG

| FIG ITEM | PART NUMBER | NOMENCLATURE | UNITS PER ASSY | |
|-------------|-------------|--|----------------------|---------|
| | | | 1 2 3 4 5 6 7 | |
| 01 | | | | |
| - | | JAPANESE EXTERIOR PLACARDS AND MARKINGS - WINGS | B2273 | & ON RF |
| 1 | S4196-2 | . PLACARD-FUEL CAP | | 04 |
| 2 | | . PLACARD-FUEL CAPACITY-REFER TO 11-N-25 FIGURE 01 | | RF |

- ITEM NOT ILLUSTRATED

CESSNA®
MODEL 208
 ILLUSTRATED PARTS CATALOG

A92626

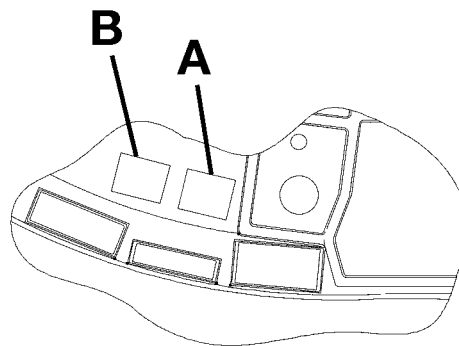


機体に着氷／霜／雪がある場合は離陸してはならない。
 S4258-1

6
DETAIL D

次のうち1つ以上に遭遇した後は、着氷気象状態で飛行を継続するのを禁止する。:
 水平飛行で対気速度120 KIASを維持できない場合。
 連続最大出力が増しても対気速度10 KIASの低下を防ぐことができない場合。
 現在のレグにおけるMEA又はMOCAのいずれか該当する方が、追加飛行規程
 「KNOWN ICING EQUIPMENT」に記載されている「ICING SERVICE CEILING」
 チャートの「C」域に侵入した場合。
 S4258-2

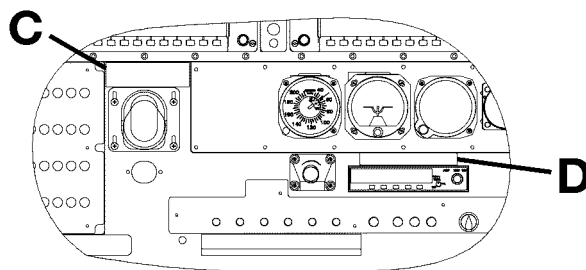
5
DETAIL C



VIEW A-A

この飛行機は、必要な装備を施した場合、
 次の運用様式に適する。
 計器飛行方式による飛行
 計器飛行
 計器航法による飛行
 計器航法による飛行以外の有視界飛行
 夜間飛行
 昼間飛行
 高々度飛行
 S4253-4

4
DETAIL B



VIEW B-B

この飛行機は、必要な装備を施した場合、
 次の運用様式に適する。
 計器飛行方式による飛行
 計器飛行
 計器航法による飛行
 計器航法による飛行以外の有視界飛行
 夜間飛行
 昼間飛行
 高々度飛行
 着氷気象状態における飛行
 S4253-2

2
DETAIL B

飛行機の標識及び揭示板は、耐空類別飛行機
 普通Nとして運用する場合の運用限界を記載
 したものである。本飛行機をこの耐空類別で
 運用する場合に適用しなければならないその
 他の運用限界は、飛行規程に記載されている
 スピンを含む曲技飛行は禁止されている
 予知される着氷気象状態における飛行は禁止
 されている
 S4253-3

3
DETAIL A

飛行機の標識及び揭示板は、耐空類別飛行機
 普通Nとして運用する場合の運用限界を記載
 したものである。本飛行機をこの耐空類別で
 運用する場合に適用しなければならないその
 他の運用限界は、飛行規程に記載されている
 スピンを含む曲技飛行は禁止されている
 S4253-1

1
DETAIL A

JAPANESE INTERIOR PLACARDS AND MARKINGS - FLIGHT COMPARTMENT
 FIGURE 01 (SHEET 1)

2610T1028
 AA2610T1028
 BB2610T1028

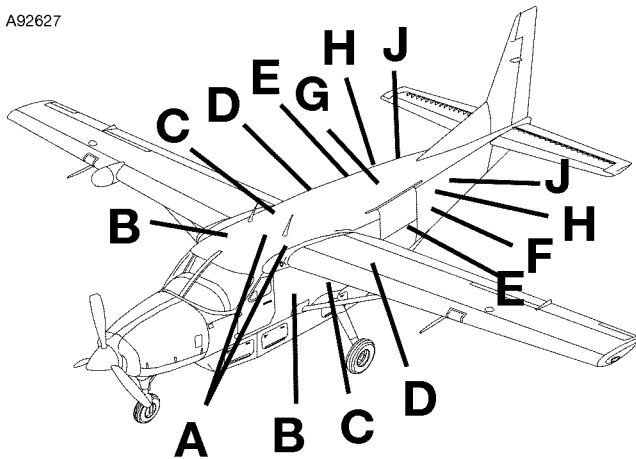
CESSNA®
MODEL 208
 ILLUSTRATED PARTS CATALOG

| FIG ITEM | PART NUMBER | NOMENCLATURE | UNITS PER ASSY | | |
|-------------|-------------|--|----------------------|------|----|
| | | | 1 | 2 | 3 |
| 01 | | | | | |
| - | | JAPANESE INTERIOR PLACARDS AND MARKINGS - FLIGHT COMPARTMENT | B2273 | & ON | RF |
| 1 | S4253-1 | . PLACARD-OPERATIONAL LIMITATIONS | | | 01 |
| 2 | S4253-2 | . PLACARD-OPERATIONAL LIMITATIONS | | | 01 |
| 3 | S4253-3 | . PLACARD-OPERATIONAL LIMITATIONS | | | 01 |
| 4 | S4253-4 | . PLACARD-OPERATIONAL LIMITATIONS | | | 01 |
| 5 | S4258-2 | . PLACARD-ICING | | | 01 |
| 6 | S4258-1 | . PLACARD-ICING | | | 01 |

- ITEM NOT ILLUSTRATED

CESSNA®
MODEL 208
 ILLUSTRATED PARTS CATALOG

A92627



カーゴ・バリア後方の最大積載量
 3400 lbs.
 最後に積載するゾーンの前方ゾーンには各々、
 ゾーン容積の少なくとも75%は積載する
 こと。他の積載方法については飛行規程を
 参照する
 —重量重心を確認する—
 S4254-2

1

DETAIL A

ゾーン6
 最大積載量 320 lbs.
 S4254-14

9

DETAIL J

ゾーン1
 最大積載量 1780 lbs.
 S4254-5

4

DETAIL B

ゾーン5
 最大積載量 1270 lbs.
 S4254-13

8

DETAIL H

ゾーン2
 最大積載量 3100 lbs.
 S4254-10

5

DETAIL C

ゾーン5の積載量が400 lbs.を超える場合、
 パーティション・ネットを後方に装着するか
 又は積載物を床に固縛すること
 S4254-4

3

DETAIL G

ゾーン3
 最大積載量 1900 lbs.
 S4254-11

6

DETAIL D

カーゴ・バリア後方の最大積載量
 3400 lbs.
 最後に積載するゾーンの前方ゾーンには各々、
 ゾーン容積の少なくとも75%は積載する
 こと。他の積載方法については飛行規程を
 参照する
 —重量重心を確認する—
 積載物が移動しないように固縛すること
 S4254-3

2

DETAIL F

ゾーン4
 最大積載量 1380 lbs.
 S4254-12

7

DETAIL E

2610T7004

JAPANESE INTERIOR PLACARDS AND MARKINGS - CABIN
 FIGURE 01 (SHEET 1)

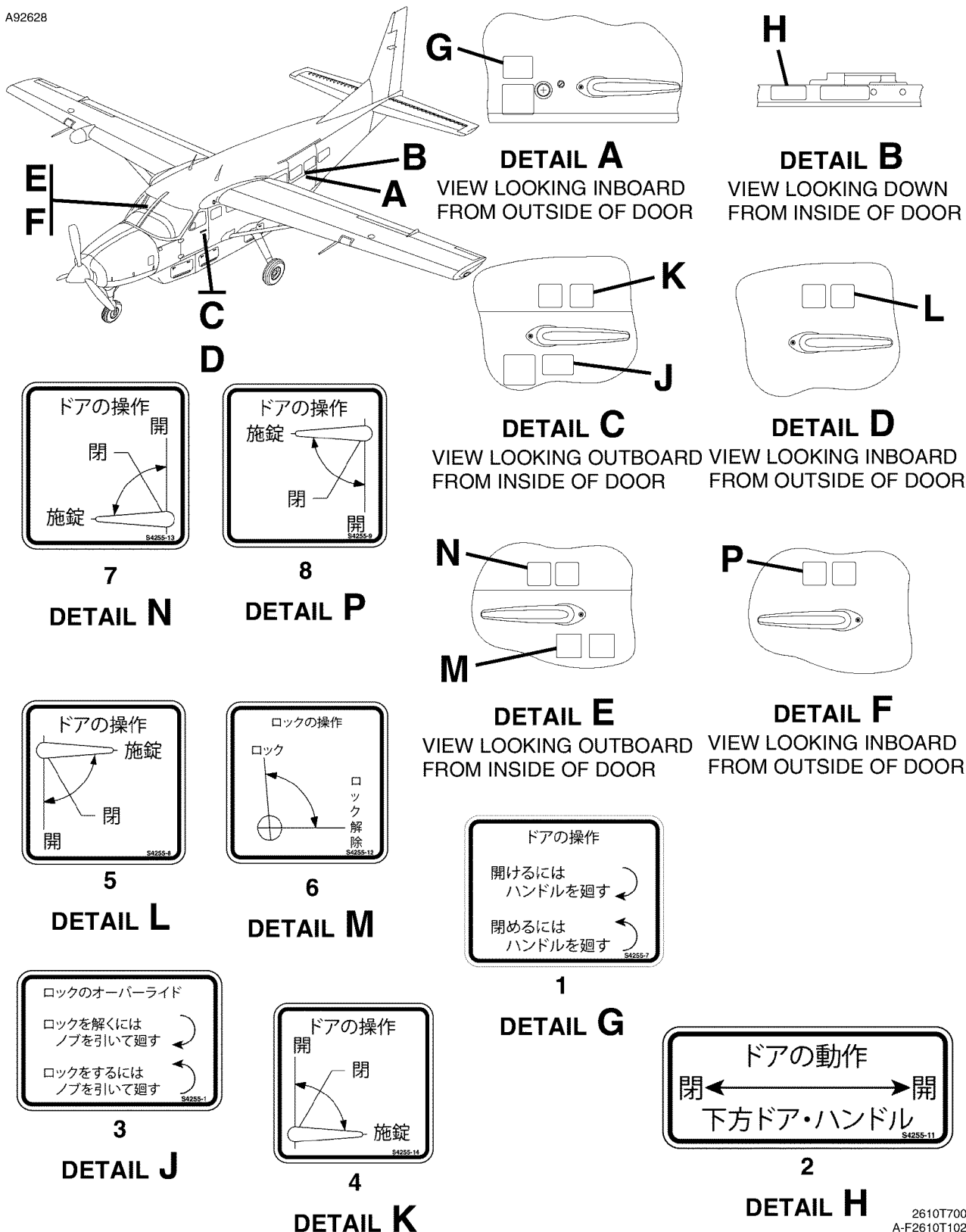
CESSNA®
MODEL 208
 ILLUSTRATED PARTS CATALOG

| FIG ITEM | PART NUMBER | NOMENCLATURE | UNITS | | |
|-------------|-------------|---|-------|------|----|
| | | | PER | ASSY | |
| 01 | | | | | |
| - | | JAPANESE INTERIOR PLACARDS AND MARKINGS - CABIN | B2237 | & ON | RF |
| 1 | S4254-2 | . PLACARD-MAX LOAD | | | 02 |
| 2 | S4254-3 | . PLACARD-MAX LOAD ZONE LH SIDE | | | 01 |
| 3 | S4254-4 | . PLACARD-LOAD ZONE RH SIDE | | | 01 |
| 4 | S4254-5 | . PLACARD-MAX LOAD ZONE 1. | | | 02 |
| 5 | S4254-10 | . PLACARD-MAX LOAD ZONE 2. | | | 02 |
| 6 | S4254-11 | . PLACARD-MAX LOAD ZONE 3. | | | 02 |
| 7 | S4254-12 | . PLACARD-MAX LOAD ZONE 4. | | | 02 |
| 8 | S4254-13 | . PLACARD-MAX LOAD ZONE 5. | | | 02 |
| 9 | S4254-14 | . PLACARD-MAX LOAD ZONE 6. | | | 02 |

- ITEM NOT ILLUSTRATED

CESSNA®
MODEL 208
 ILLUSTRATED PARTS CATALOG

A92628



JAPANESE EXTERIOR PLACARDS AND MARKINGS - CABIN DOORS
 FIGURE 01 (SHEET 1)

2610T7004
 A-F2610T1028

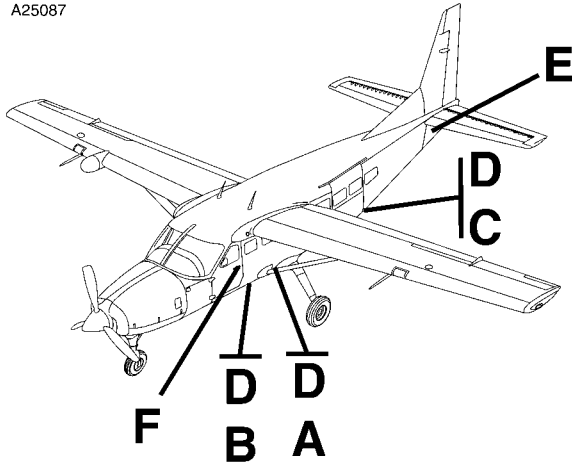
CESSNA®
MODEL 208
 ILLUSTRATED PARTS CATALOG

| FIG ITEM | PART NUMBER | NOMENCLATURE | UNITS | | |
|-------------|-------------|---|-------|------|------|
| | | | PER | RF | ASSY |
| 01 | | | | | |
| - | | JAPANESE EXTERIOR PLACARDS AND MARKINGS - CABIN DOORS | B2273 | & ON | RF |
| 1 | S4255-7 | . PLACARD-DOOR OPERATION CARGO DOOR | | | 01 |
| 2 | S4255-11 | . PLACARD-DOOR OPERATION CARGO DOOR | | | 01 |
| 3 | S4255-1 | . PLACARD LOCK OVERRIDE | | | 01 |
| 4 | S4255-14 | . PLACARD-DOOR OPERATION | | | 01 |
| 5 | S4255-8 | . PLACARD-DOOR OPERATION | | | 01 |
| 6 | S4255-12 | . PLACARD-LOCK OPERATION | | | 01 |
| 7 | S4255-13 | . PLACARD-DOOR OPERATION | | | 01 |
| 8 | S4255-9 | . PLACARD-DOOR OPERATION | | | 01 |

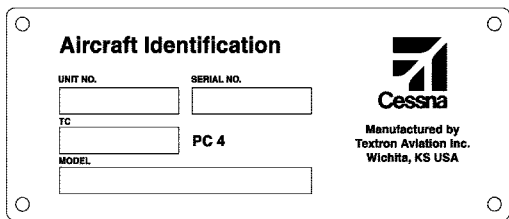
- ITEM NOT ILLUSTRATED

CESSNA®
MODEL 208
 ILLUSTRATED PARTS CATALOG

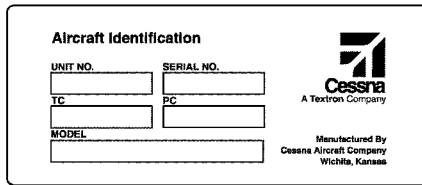
A25087



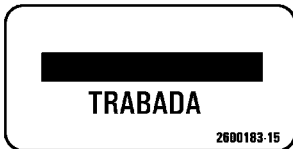
8
DETAIL F



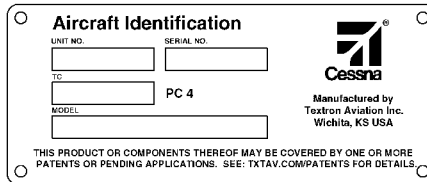
8B
DETAIL E



8A
DETAIL E



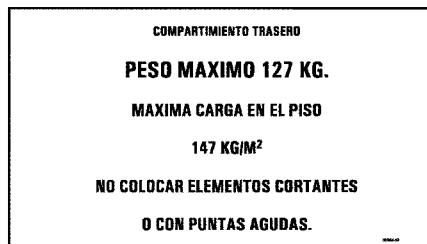
2
DETAIL D



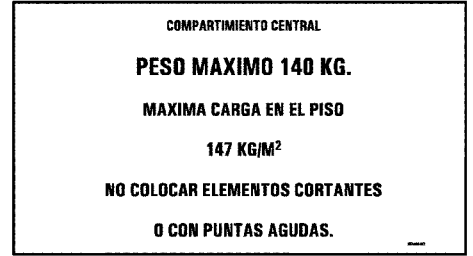
8C
DETAIL E



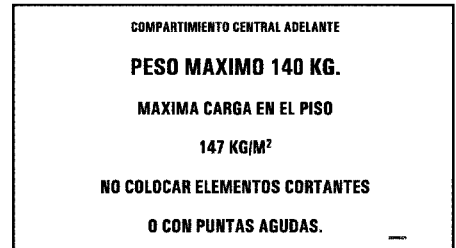
1
DETAIL D



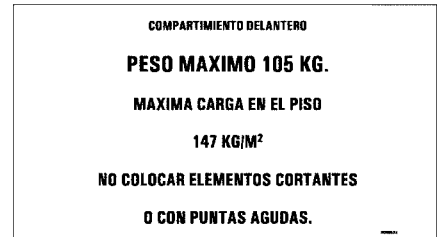
7
DETAIL C



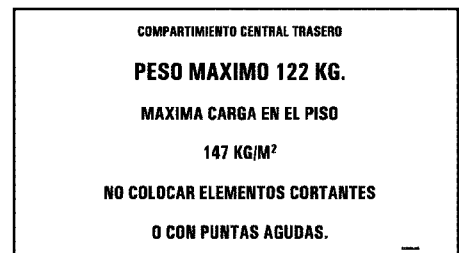
3
DETAIL A



4
DETAIL A



5
DETAIL B



6
DETAIL C

ARGENTINE EXTERIOR PLACARDS AND MARKINGS - FUSELAGE
 FIGURE 01 (SHEET 1)

2610T7005

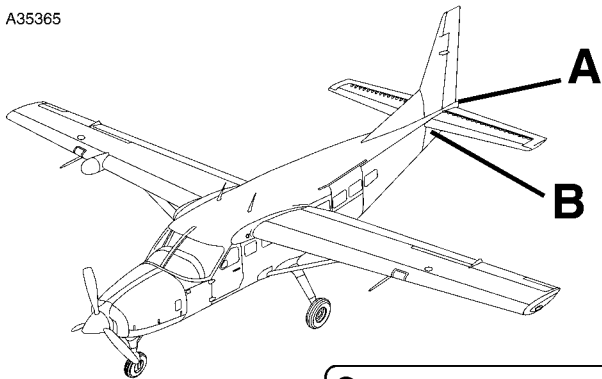
CESSNA®
MODEL 208
 ILLUSTRATED PARTS CATALOG

| FIG ITEM | PART NUMBER | NOMENCLATURE | UNITS PER ASSY | | |
|-------------|-------------|---|----------------------|-------|------|
| | | | 1 | 2 | 3 |
| 01 | | ARGENTINE EXTERIOR PLACARDS AND MARKINGS - FUSELAGE | | | RF |
| - | | . PLACARD-POD DOOR OPEN | | | AR |
| 1 | 2600183-14 | . PLACARD-POD DOOR LOCKED | | | AR |
| 2 | 2600183-15 | . PLACARD-WEIGHT LIMIT CENTER COMPARTMENT | | | 01 |
| 3 | 2605058-202 | . PLACARD-WEIGHT LIMIT CENTER COMPARTMENT FORWARD | | | 01 |
| 4 | 2605058-204 | . PLACARD-WEIGHT LIMIT FORWARD COMPARTMENT | | | 01 |
| 5 | 2605058-201 | . PLACARD-WEIGHT LIMIT CENTER COMPARTMENT AFT | | | 01 |
| 6 | 2605058-205 | . PLACARD-WEIGHT LIMIT AFT COMPARTMENT | | | 01 |
| 7 | 2605058-203 | . NAMEPLATE-AIRCRAFT IDENTIFICATION REFER TO NOTE 1 | 0001 | 0128 | 01 R |
| 8 | S2222-1 | | B0001 | B0076 | |
| 8A | S2807-1 | . NAMEPLATE-REFER TO NOTE 1 | 0129 | 0572 | 01 R |
| | | | B0077 | B5223 | |
| 8B | S4441-1 | . NAMEPLATE-REFER TO NOTE 1 | 0573 | 0616 | 01 |
| | | | B5224 | B5474 | |
| 8C | S4441-11 | . NAMEPLATE-REFER TO NOTE 1 | 0617 | & ON | 01 |
| | | | B5475 | & ON | |


NOTE 1—WHEN ORDERING PART, OWNER MUST SEND A NOTORIZED DOCUMENT STATING REASON FOR ORDERING A NEW ID PLATE, TYPE CERTIFICATE NUMBER, PRODUCTION CERTIFICATE NUMBER, ID PLATE NUMBER, AND MODEL NUMBER. OLD ID PLATE FROM AIRPLANE SHOULD BE ATTACHED TO THE ORDER, IF AVAILABLE. IF NOT ATTACHED, NEW PLATE WILL BE STAMPED "DUPLICATE".

CESSNA®
MODEL 208
 ILLUSTRATED PARTS CATALOG


A35365




1
DETAIL A

| Aircraft Identification | |  Cessna A Textron Company Manufactured by Cessna Aircraft Company Wichita, Kansas |
|-------------------------|------------|--|
| UNIT NO. | SERIAL NO. | |
| TC | PC | |
| MODEL | | |

3
DETAIL B

| Aircraft Identification | |  Cessna Manufactured by Textron Aviation Inc. Wichita, KS USA |
|-------------------------|------------|--|
| UNIT NO. | SERIAL NO. | |
| TC | PC 4 | |
| MODEL | | |

3A
DETAIL B

| Aircraft Identification | |  Cessna Manufactured by Textron Aviation Inc. Wichita, KS USA |
|-------------------------|------------|---|
| UNIT NO. | SERIAL NO. | |
| TC | PC 4 | |
| MODEL | | |

THIS PRODUCT OR COMPONENTS THEREOF MAY BE COVERED BY ONE OR MORE PATENTS OR PENDING APPLICATIONS. SEE: TXTAV.COM/PATENTS FOR DETAILS.

3B
DETAIL B

2610T7005

ARGENTINE EXTERIOR PLACARDS AND MARKINGS - EMPENNAGE AND REAR BAGGAGE
 FIGURE 01 (SHEET 1)

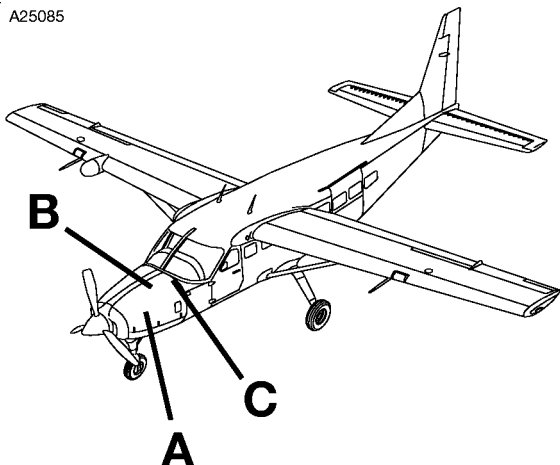
CESSNA®
MODEL 208
 ILLUSTRATED PARTS CATALOG

| FIG ITEM | PART NUMBER | NOMENCLATURE | UNITS PER ASSY | |
|-------------|-------------|--|----------------------|---------------|
| | | | 1 2 3 4 5 6 7 | |
| 01 | | ARGENTINE EXTERIOR PLACARDS AND MARKINGS - EMPENNAGE AND REAR BAGGAGE | | RF |
| - | | | | |
| 1 | AT-RL-SP01 | . PLACARD-RUDDER GUSTLOCK BLACK LETTERING V0TVR6 | 0260 B0577 | & ON & ON |
| - 2 | AT-RL-SP02 | . PLACARD-RUDDER GUSTLOCK WHITE LETTERING V0TVR6 | 0260 B0577 | & ON & ON |
| 3 | S2807-1 | . NAMEPLATE-EXTERIOR AIRCRAFT IDENTIFICATION REFER TO NOTE 1 | 0129 B0077 | 0572 B5223 |
| 3A | S4441-1 | . NAMEPLATE-REFER TO NOTE 1 | 0573 B5224 | 0616 B5474 |
| 3B | S4441-11 | . NAMEPLATE-REFER TO NOTE 1 | 0617 B5475 | & ON & ON |

NOTE 1—WHEN ORDERING PART, OWNER MUST SEND A NOTORIZED DOCUMENT STATING REASON FOR ORDERING A NEW ID PLATE, TYPE CERTIFICATE NUMBER, PRODUCTION CERTIFICATE NUMBER, ID PLATE NUMBER, AND MODEL NUMBER. OLD ID PLATE FROM AIRPLANE SHOULD BE ATTACHED TO THE ORDER, IF AVAILABLE. IF NOT ATTACHED, NEW PLATE WILL BE STAMPED "DUPLICATE".

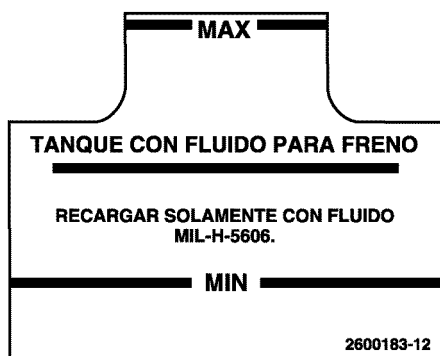
CESSNA®
MODEL 208
ILLUSTRATED PARTS CATALOG

A25085



CUIDADO
NO REMOLQUE LA AERONAVE
CON LA TRABA DEL TIMON
DE DIRECCION COLOCADA.
2600183-10

1
DETAIL A



4
DETAIL C

**ADVERTENCIA
LIMITE MAXIMO
PARA REMOLQUE**
2600183-1

2
DETAIL A

ADVERTENCIA
TANQUE DE ACEITE PRESURIZADO
VERIFIQUE QUE LA VARILLA
MEDIDORA DE ACEITE ESTE
ASEGURADA
2600183-48

3
DETAIL B

ARGENTINE EXTERIOR PLACARDS AND MARKINGS - COWLING
FIGURE 01 (SHEET 1)

2610T7005

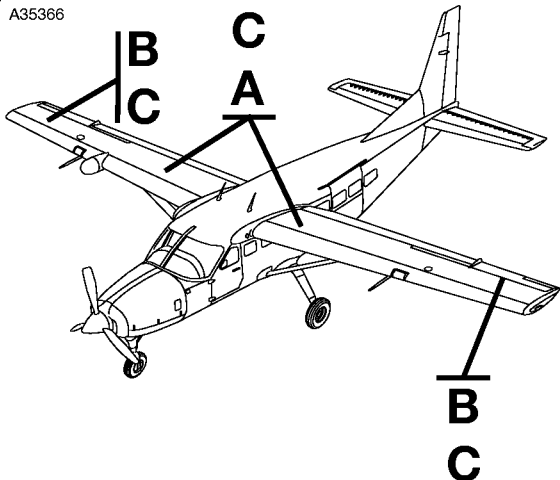
CESSNA®
MODEL 208
 ILLUSTRATED PARTS CATALOG

| FIG ITEM | PART NUMBER | NOMENCLATURE | UNITS |
|-------------|-------------|--|-------------|
| | | | PER ASSY |
| | | 1 2 3 4 5 6 7 | |
| 01 | | | |
| - | | ARGENTINE EXTERIOR PLACARDS AND MARKINGS - COWLING | RF R |
| 1 | 2600183-10 | . PLACARD-RUDDER LOCK CAUTION | 01 |
| 2 | 2600183-1 | . PLACARD-TOW LIMIT WARNING | 01 |
| 3 | 2600183-48 | . PLACARD-OIL TANK | 01 |
| 4 | 2600183-11 | . PLACARD ASSY-BRAKE FLUID RESERVOIR | 01 |

- ITEM NOT ILLUSTRATED

CESSNA®
MODEL 208
 ILLUSTRATED PARTS CATALOG

A35366



COMBUSTIBLE JET-A
CAPACIDAD TOTAL: 455 LTS.
 ES NECESARIO EL USO DE UN
 ADITIVO ANTI-HIELO.
 VER EL MANUAL DE OPERACION PARA
 OTROS COMBUSTIBLES, CANTIDADES Y
 TIPOS DE ADITIVOS APROBADOS.
 DESCARGUE A TIERRA MEDIANTE LA
 ANILLA DE AMARRE DEL ALA. 2600183-47

1
DETAIL A



4
DETAIL C

COMBUSTIBLE JET - A
CAPACIDAD TOTAL: 455 LTS.
 ES NECESARIO EL USO DE UN
 ADITIVO ANTI-HIELO.
 VER EL MANUAL DE OPERACION PARA
 OTROS COMBUSTIBLES, CANTIDADES Y
 TIPOS DE ADITIVOS APROBADOS.
 DESCARGUE A TIERRA MEDIANTE LA
 ANILLA DE AMARRE DEL ALA.

CUIDADO

**NO ABRIR CUANDO LA CANTIDAD DE
 COMBUSTIBLE EXCEDE LOS 455 LTS** 2600183-50

2
DETAIL A

COMBUSTIBLE JET-A
CAPACIDAD TOTAL: 635 LTS.
 ES NECESARIO EL USO DE UN
 ADITIVO ANTI-HIELO.
 VER EL MANUAL DE OPERACION PARA
 OTROS COMBUSTIBLES, CANTIDADES Y
 TIPOS DE ADITIVOS APROBADOS.
 DESCARGUE A TIERRA MEDIANTE LA
 ANILLA DE AMARRE DEL ALA. 2600183-2

3
DETAIL B

ARGENTINE EXTERIOR PLACARDS AND MARKINGS - WINGS
 FIGURE 01 (SHEET 1)

2610T7005

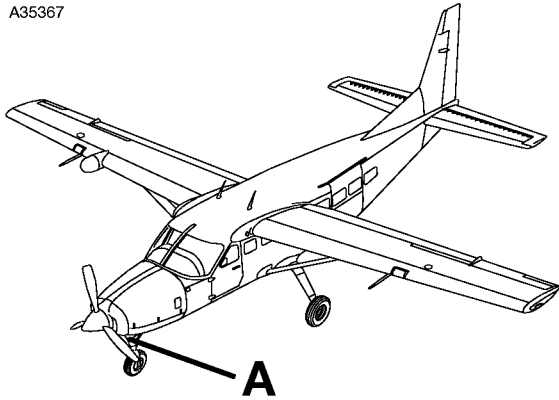
CESSNA®
MODEL 208
 ILLUSTRATED PARTS CATALOG

| FIG ITEM | PART NUMBER | NOMENCLATURE | UNITS PER ASSY | | |
|-------------|-------------|--|----------------------|-------|------|
| | | | 1 | 2 | 3 |
| 01 | | | | | |
| - | | ARGENTINE EXTERIOR PLACARDS AND MARKINGS - WINGS | | | RF R |
| 1 | 2600183-46 | . PLACARD ASSY-FUEL CAP INBOARD | 0242 | 0314 | 02 |
| | | | B0432 | B0778 | |
| 2 | 2600183-50 | . PLACARD ASSY-FUEL CAP INBOARD | 0315 | & ON | 02 |
| | | | B0779 | & ON | |
| 3 | 2600183-17 | . PLACARD ASSY-FUEL CAP OUTBOARD | | | 02 |
| 4 | 2600183-9 | . PLACARD-JET FUEL | | | 04 |

- ITEM NOT ILLUSTRATED

CESSNA®
MODEL 208
ILLUSTRATED PARTS CATALOG

A35367



**PUNTO
DE
REMOLQUE**
2600183-29

1
DETAIL A

ARGENTINE EXTERIOR PLACARDS AND MARKINGS - LANDING GEAR
FIGURE 01 (SHEET 1)

2610T7005

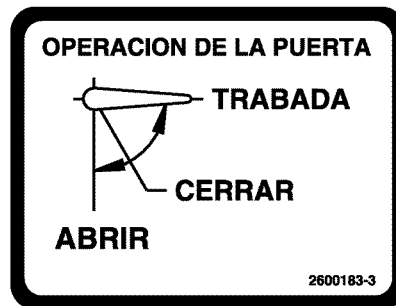
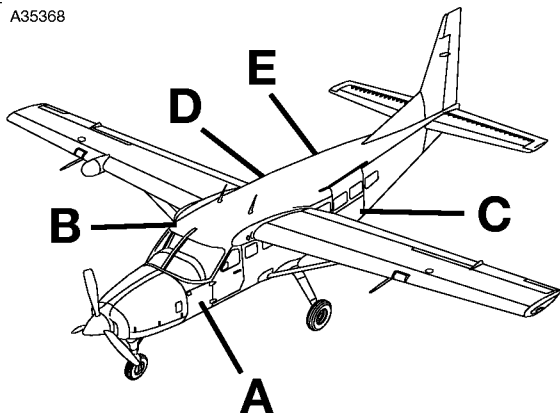
CESSNA®
MODEL 208
 ILLUSTRATED PARTS CATALOG

| FIG ITEM | PART NUMBER | NOMENCLATURE | UNITS PER ASSY |
|-------------|---------------|---|----------------------|
| | 1 2 3 4 5 6 7 | | |
| 01 | | | |
| - | | ARGENTINE EXTERIOR PLACARDS AND MARKINGS - LANDING GEAR | RF R |
| 1 | 2600183-29 | . PLACARD-TUG TOW FRONT FORK | 01 |

- ITEM NOT ILLUSTRATED

CESSNA®
MODEL 208
 ILLUSTRATED PARTS CATALOG

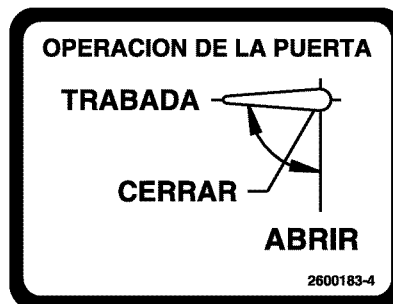
A35368



1
 DETAIL A



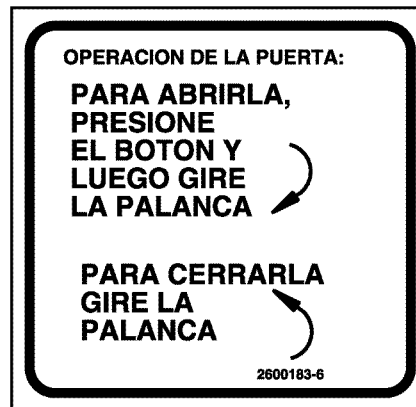
5
 DETAIL E



2
 DETAIL B



4
 DETAIL D



3
 DETAIL C

2610T7005

ARGENTINE EXTERIOR PLACARDS AND MARKINGS - CABIN DOORS
 FIGURE 01 (SHEET 1)

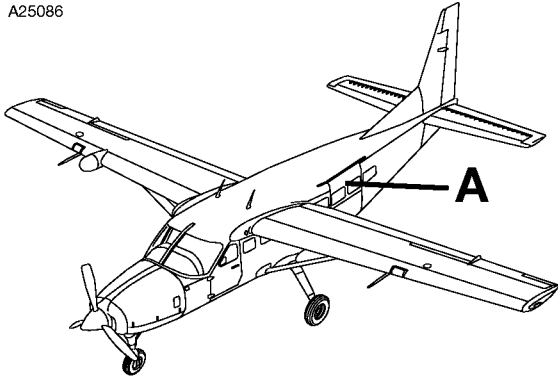
CESSNA®
MODEL 208
 ILLUSTRATED PARTS CATALOG

| FIG ITEM | PART NUMBER | NOMENCLATURE | UNITS |
|-------------|-------------|--|-------------|
| | | | PER ASSY |
| | | 1 2 3 4 5 6 7 | |
| 01 | | | |
| - | | ARGENTINE EXTERIOR PLACARDS AND MARKINGS - CABIN DOORS | RF R |
| 1 | 2600183-3 | . PLACARD-LH CREW DOOR | 01 |
| 2 | 2600183-4 | . PLACARD-RH CREW DOOR | 01 |
| 3 | 2600183-6 | . PLACARD-UPPER CARGO DOOR | 01 |
| 4 | 2600183-7 | . PLACARD-PASSENGER DOOR | 01 |
| 5 | 2600183-8 | . PLACARD-OXYGEN FILL DOOR | 01 |

- ITEM NOT ILLUSTRATED

CESSNA®
MODEL 208
ILLUSTRATED PARTS CATALOG

A25086



75
DETAIL A



76
DETAIL A



77
DETAIL A

2610T7005

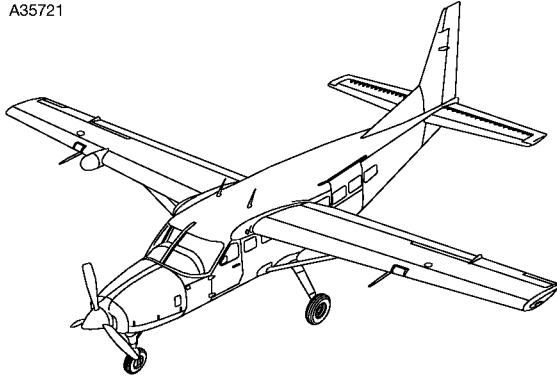
ARGENTINE EXTERIOR PLACARDS AND MARKINGS - CABIN DOORS
FIGURE 01 (SHEET 2)

CESSNA®
MODEL 208
 ILLUSTRATED PARTS CATALOG

| FIG ITEM | PART NUMBER | NOMENCLATURE | UNITS |
|-------------|-------------|---|-------------|
| | | | PER ASSY |
| | | 1 2 3 4 5 6 7 | |
| 01 | | | |
| 75 | 2600183-43 | . PLACARD-EMERGENCY DOOR PUSH | 01 |
| 76 | 2600183-44 | . PLACARD-EMERGENCY DOOR EXIT | 01 |
| 77 | 2600183-42 | . PLACARD-EMERGENCY DOOR OPEN | 01 |

CESSNA®
MODEL 208
ILLUSTRATED PARTS CATALOG

A35721



ADVERTENCIA

ASEGURAR QUE EL ASIENTO ESTÉ TRABADO Y EN POSICION VERTICAL ANTES DE INICIAR EL CARRETEO, DESPEGUE Y ATERRIZAJE. LA FALLA DE LA TRABA DEL ASIENTO Y EL NO CUMPLIMIENTO DE TODAS LAS INSTRUCCIONES DE SEGURIDAD PUEDEN OCASIONARLE DAÑOS CORPORALES O SU MUERTE.

2600183-39

1
DETAIL A

ARGENTINE INTERIOR PLACARDS AND MARKINGS - FLIGHT COMPARTMENT
FIGURE 01 (SHEET 1)

2610T7005

11-LQ-31

Figure 01
Page 0
Sep 6/2004

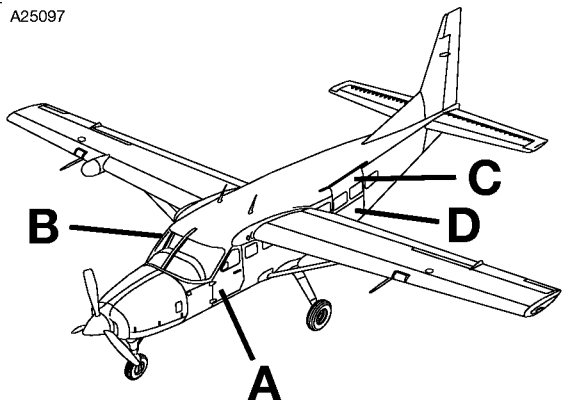
CESSNA®
MODEL 208
 ILLUSTRATED PARTS CATALOG

| FIG ITEM | PART NUMBER | NOMENCLATURE | UNITS PER ASSY |
|-------------|-------------|---|----------------------|
| 01 | | | |
| - | | ARGENTINE INTERIOR PLACARDS AND MARKINGS - FLIGHT COMPARTMENT | RF R |
| 1 | 2600183-39 | . PLACARD-SEAT STOP LATCH WARNING | 01 R |

- ITEM NOT ILLUSTRATED

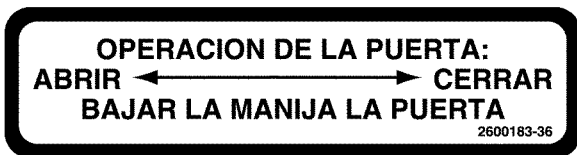
CESSNA®
MODEL 208
 ILLUSTRATED PARTS CATALOG

A25097



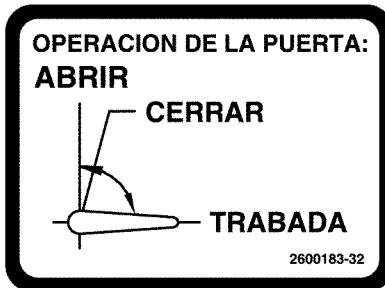
1

DETAIL A



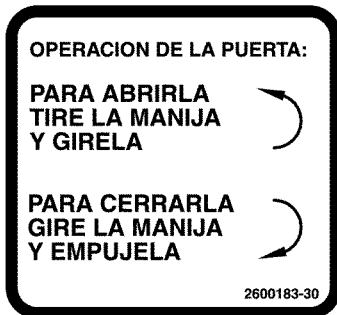
6

DETAIL D



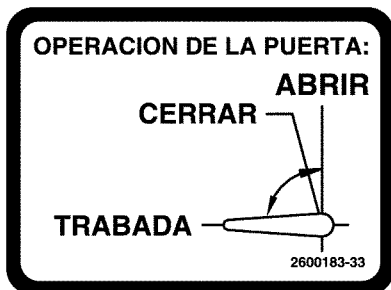
2

DETAIL A



5

DETAIL C



4

DETAIL B



3

DETAIL B

2610T7005

ARGENTINE INTERIOR PLACARDS AND MARKINGS - CABIN DOORS
 FIGURE 01 (SHEET 1)

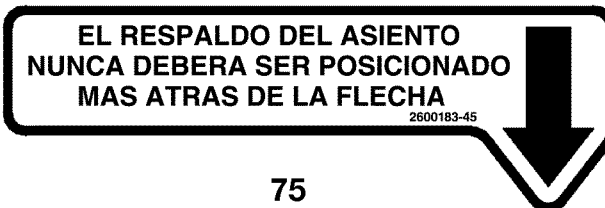
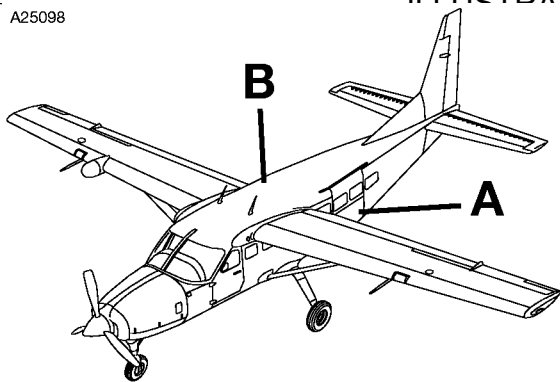
CESSNA®
MODEL 208
 ILLUSTRATED PARTS CATALOG

| FIG ITEM | PART NUMBER | NOMENCLATURE | UNITS |
|-------------|-------------|--|-------------|
| | | | PER ASSY |
| | | 1 2 3 4 5 6 7 | |
| 01 | | ARGENTINE INTERIOR PLACARDS AND MARKINGS - CABIN DOORS | RF R |
| - | | . PLACARD ASSY-LH CREW DOOR | 01 R |
| 1 | 2600183-27 | . PLACARD-LH CREW DOOR | 01 R |
| 2 | 2600183-32 | . PLACARD ASSY-RH CREW DOOR | 01 R |
| 3 | 2600183-26 | . PLACARD-RH CREW DOOR | 01 R |
| 4 | 2600183-33 | . PLACARD-RH CREW DOOR | 01 R |
| 5 | 2600183-30 | . PLACARD-UPPER CARGO DOOR | 01 R |
| 6 | 2600183-36 | . PLACARD-LOWER DOOR | 01 R |

- ITEM NOT ILLUSTRATED

CESSNA®
MODEL 208
ILLUSTRATED PARTS CATALOG

A25098



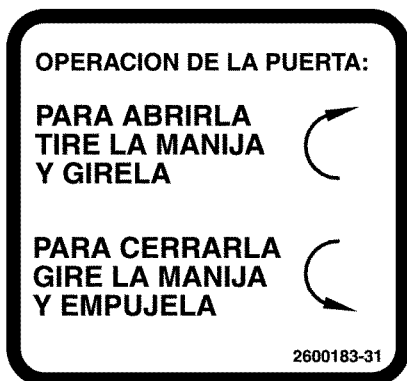
75
DETAIL A



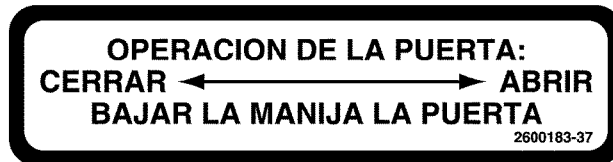
79
DETAIL B



76
DETAIL A



78
DETAIL B



77
DETAIL B

2610T7005

ARGENTINE INTERIOR PLACARDS AND MARKINGS - CABIN DOORS
FIGURE 01 (SHEET 2)

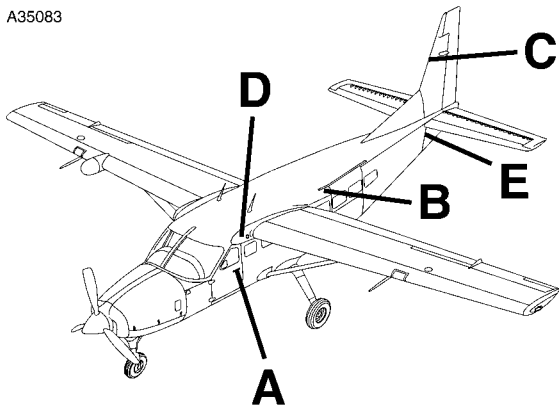
CESSNA®
MODEL 208
 ILLUSTRATED PARTS CATALOG


| FIG ITEM | PART NUMBER | NOMENCLATURE | UNITS |
|-------------|-------------|--|-------------|
| | | | PER ASSY |
| | | 1 2 3 4 5 6 7 | |
| 01 | | | |
| 75 | 2600183-45 | . PLACARD-SEAT TRACK LIMIT | 01 R |
| 76 | 2600183-40 | . PLACARD ASSY-EXIT SIGN | 01 R |
| 77 | 2600183-5 | . PLACARD-LOWER PASSENGER DOOR | 01 R |
| 78 | 2600183-37 | . PLACARD-LOWER PASSENGER DOOR | 01 R |
| 79 | 2600183-31 | . PLACARD-UPPER PASSENGER DOOR | 01 R |

- ITEM NOT ILLUSTRATED

CESSNA®
MODEL 208
 ILLUSTRATED PARTS CATALOG

A35083




| Aircraft Identification | |  Manufactured by Textron Aviation Inc. Wichita, KS USA |
|-------------------------|------------|--|
| UNIT NO. | SERIAL NO. | |
| TC | PC 4 | |
| MODEL | | |


1B
 DETAIL E

| |
|--|
|  MANUFACTURED BY CESSNA AIRCRAFT COMPANY WICHITA KANSAS |
| TC |
| PC |
| MODEL |
| SERIAL NO. |

1
 DETAIL A

| Aircraft Identification | |  Manufactured By Cessna Aircraft Company Wichita, Kansas |
|-------------------------|------------|--|
| UNIT NO. | SERIAL NO. | |
| TC | PC | |
| MODEL | | |

1A
 DETAIL E

| Aircraft Identification | |  Manufactured by Textron Aviation Inc. Wichita, KS USA |
|--|------------|--|
| UNIT NO. | SERIAL NO. | |
| TC | PC 4 | |
| MODEL | | |
| <small>THIS PRODUCT OR COMPONENTS THEREOF MAY BE COVERED BY ONE OR MORE PATENTS OR PENDING APPLICATIONS. SEE: TXTAV.COM/PATENTS FOR DETAILS.</small> | | |

1C
 DETAIL E

Super Cargomaster

8
 DETAIL D



2
 DETAIL B

Cargomaster

7
 DETAIL D

CARAVAN I

6
 DETAIL C

U.S. EXTERIOR PLACARDS AND MARKINGS - FUSELAGE
 FIGURE 01 (SHEET 1)

2610T7005

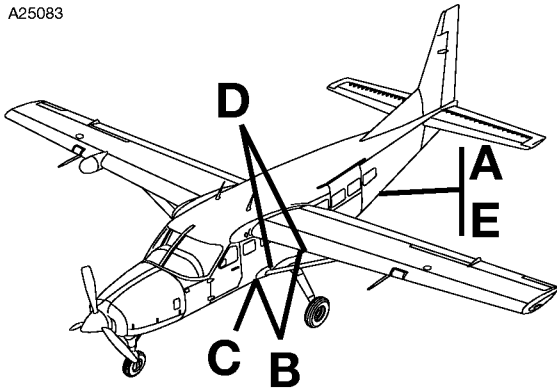
**CESSNA®
MODEL 208
ILLUSTRATED PARTS CATALOG**

| FIG ITEM | PART NUMBER | NOMENCLATURE | UNITS PER ASSY | | |
|-------------|-------------|--|----------------------|-------|------|
| | | | 1 | 2 | 3 |
| 01 | | U.S. EXTERIOR PLACARDS AND MARKINGS - FUSELAGE | | | RF |
| - | | . NAMEPLATE-AIRCRAFT IDENTIFICATION ALT FOR S2807-1 REFER TO NOTE 1 | 0001 | 0128 | 01 R |
| 1 | S2222-1 | | B0001 | B0076 | |
| 1A | S2807-1 | . NAMEPLATE-ALT FOR S2222-1 REFER TO NOTE 1 | 0129 | 0572 | 01 R |
| | | | B0077 | B5223 | |
| 1B | S4441-1 | . NAMEPLATE-REFER TO NOTE 1 | 0573 | 0616 | 01 |
| | | | B5224 | B5474 | |
| 1C | S4441-11 | . NAMEPLATE-REFER TO NOTE 1 | 0617 | & ON | 01 |
| | | | B5475 | & ON | |
| 2 | 0505103-1 | . EMBLEM-EXTERIOR CESSNA PASSENGER VERSION FSO 133180-01 | 0001 | 0350 | 02 R |
| | | | B0045 | B0921 | |
| - 3 | 0505103-1 | . EMBLEM-EXTERIOR CESSNA SUPERCARGOMASTER FSO 133180-01 | 0001 | 0350 | 02 R |
| | | | B0045 | B0921 | |
| - 4 | 133180-01 | . LOGO - CESSNA-EXTERIOR AFT OF CARGO DOOR V4S434 | 0351 | 0499 | 02 R |
| | | . SUPERCARGOMASTER ALT FOR 0505103-1 | B0922 | & ON | |
| - 5 | 144458-01 | . LOGO EXTERIOR 25TH ANV. V4S434 | 0519 | 0523 | 02 R |
| | | | B2162 | B2257 | |
| 6 | 2604025-1 | . MASK-EXTERIOR | 0001 | 0198 | 02 R |
| | | | B0045 | & ON | |
| 7 | 2604003-3 | . STENCIL-CARGOMASTER ZONE 251 AND 252 | | | 02 R |
| 8 | 2604003-4 | . STENCIL-SUPER CARGOMASTER | B0045 | & ON | 02 R |
| - 9 | 0713047-0 | . PLATE | | | 01 R |

NOTE 1—WHEN ORDERING PART, OWNER MUST SEND A NOTORIZED DOCUMENT STATING REASON FOR ORDERING A NEW ID PLATE, TYPE CERTIFICATE NUMBER, PRODUCTION CERTIFICATE NUMBER, ID PLATE NUMBER, AND MODEL NUMBER. OLD ID PLATE FROM AIRPLANE SHOULD BE ATTACHED TO THE ORDER, IF AVAILABLE. IF NOT ATTACHED, NEW PLATE WILL BE STAMPED

CESSNA®
MODEL 208
 ILLUSTRATED PARTS CATALOG

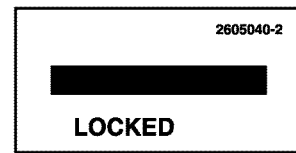
A25083



75
DETAIL A

AFT COMPARTMENT
MAX. WEIGHT 280 LBS
 MAX FLOOR LOADING
 30 LBS PER SQ. FT.
 NO SHARP EDGES

83
DETAIL E



77
DETAIL B

CTR. COMPARTMENT - AFT
MAX. WEIGHT 270 LBS
 MAX FLOOR LOADING
 30 LBS PER SQ. FT.
 NO SHARP EDGES

82
DETAIL D

FORWARD COMPARTMENT
MAX. WEIGHT 230 LBS.
 MAX FLOOR LOADING
 30 LBS PER SQ. FT.
 NO SHARP EDGES

79
DETAIL C

CTR. COMPARTMENT - FWD
MAX. WEIGHT 310 LBS
 MAX FLOOR LOADING
 30 LBS PER SQ. FT.
 NO SHARP EDGES

81
DETAIL D

CTR. COMPARTMENT
MAX. WEIGHT 310 LBS
 MAX FLOOR LOADING
 30 LBS PER SQ. FT.
 NO SHARP EDGES

80
DETAIL D

2610T7005

U.S. EXTERIOR PLACARDS AND MARKINGS - FUSELAGE
 FIGURE 01 (SHEET 2)

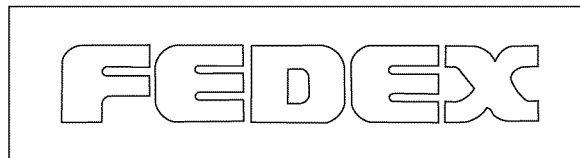
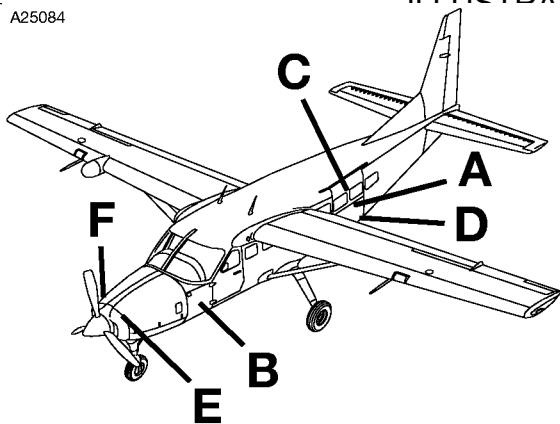
CESSNA®
MODEL 208
 ILLUSTRATED PARTS CATALOG

| FIG ITEM | PART NUMBER | NOMENCLATURE | UNITS PER ASSY | | |
|-------------|-------------|---|----------------------|-------|------|
| | | | 1 | 2 | 3 |
| 01 | | | | | |
| 75 | 2605040-1 | . PLACARD ASSY-DOOR OPEN FSO S3814-1 | 0007 | 0358 | NP R |
| | | | B0001 | B0957 | |
| - 76 | S3814-1 | . PLACARD - DOOR OPEN FSO S4498-1 | 0007 | & ON | AR R |
| | | | B0001 | & ON | |
| - 76A | S4498-1 | . PLACARD - DOOR OPEN SPARES | | | AR R |
| 77 | 2605040-2 | . PLACARD ASSY-DOOR LOCKED FSO S3814-2 | 0007 | 0358 | NP R |
| | | | B0001 | B0957 | |
| - 78 | S3814-2 | . PLACARD - DOOR LOCKED FSO S4498-2 | 0007 | & ON | AR R |
| | | | B0001 | & ON | |
| - 78A | S4498-2 | . PLACARD - DOOR LOCKED SPARES | | | AR R |
| 79 | 2605040-201 | . PLACARD ASSY-FWD COMPARTMENT ZONE 921 | | | 01 |
| 80 | 2605040-202 | . PLACARD ASSY-CTR COMPARTMENT ZONE 922 AND 923 | | | 01 |
| 81 | 2605040-203 | . PLACARD ASSY-CTR-FWD COMPARTMENT ZONE 922 AND 923 | | | 01 |
| 82 | 2605040-204 | . PLACARD ASSY-CTR-AFT COMPARTMENT ZONE 922 AND 923 | | | 01 |
| 83 | 2605040-205 | . PLACARD ASSY-AFT COMPARTMENT ZONE 924 | | | 01 |

- ITEM NOT ILLUSTRATED

CESSNA®
MODEL 208
 ILLUSTRATED PARTS CATALOG

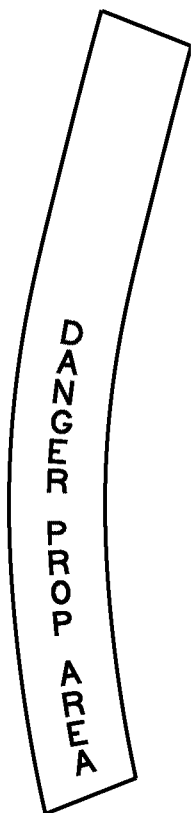
A25084



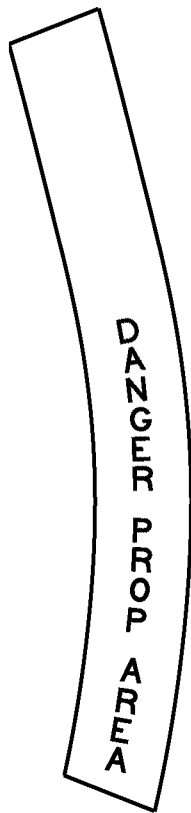
150
DETAIL A



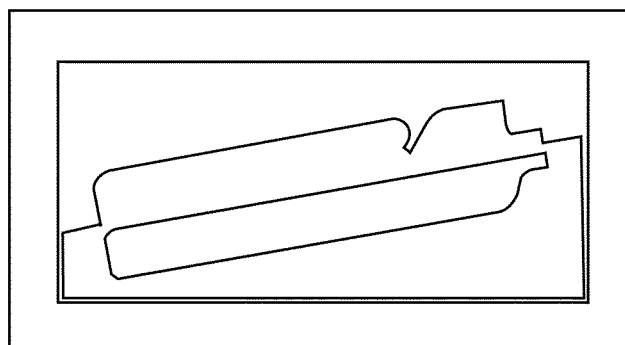
151
DETAIL A



156
DETAIL F



155
DETAIL E



152
DETAIL B



153
DETAIL C



154
DETAIL D

U.S. EXTERIOR PLACARDS AND MARKINGS - FUSELAGE
 FIGURE 01 (SHEET 3)

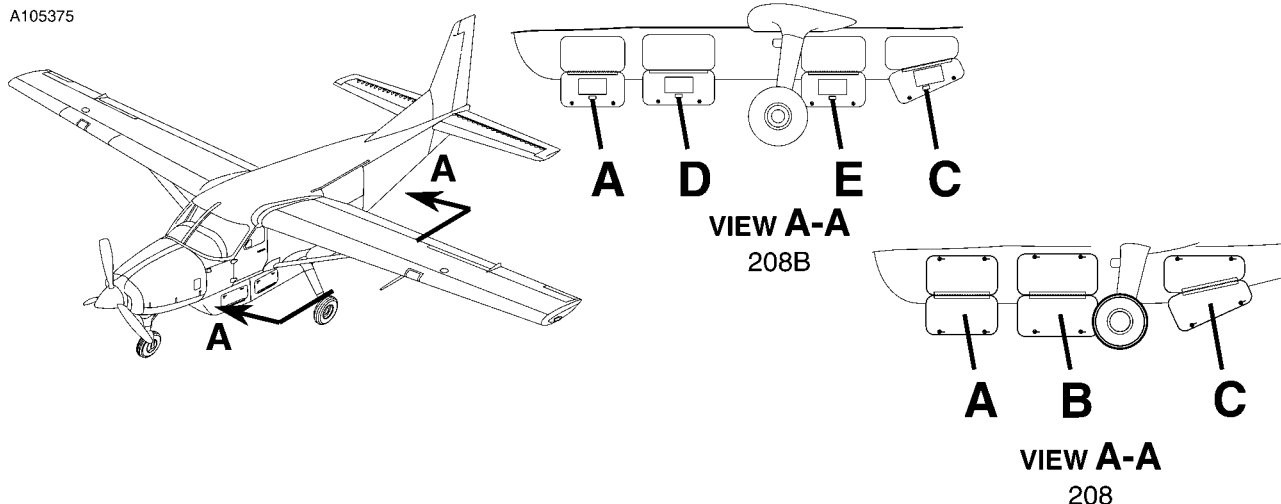
2610T7005

CESSNA®
MODEL 208
 ILLUSTRATED PARTS CATALOG

| FIG ITEM | PART NUMBER | 1 2 3 4 5 6 7 | NOMENCLATURE | UNITS PER ASSY | | |
|-------------|-------------|---------------|--|----------------------|-------|----|
| | | | | | | |
| 01 | | | | | | |
| 150 | 2604011-1 | . | MASK-FEDEX | 0007 | 0199 | 01 |
| | | | | B0001 | B0418 | |
| 151 | 2604011-3 | . | MASK-FEDEX FEEDER | 0007 | 0199 | 01 |
| | | | | B0001 | B0418 | |
| 152 | 2604011-2 | . | MASK-FEDEX | 0007 | 0199 | 01 |
| | | | | B0001 | B0418 | |
| 153 | 2605046-1 | . | PLACARD-AIRSTAIR DOOR USED WITH INFLIGHT MOVEABLE DOOR | | | 01 |
| 154 | 2605048-1 | . | PLACARD-WARNING CARGO DOOR | | | 01 |
| 155 | 2604020-1 | . | MASK-LH FEDEX PROP DANGER | B0242 | & ON | 01 |
| 156 | 2604020-2 | . | MASK-RH FEDEX PROP DANGER | B0242 | & ON | 01 |

CESSNA®
MODEL 208
 ILLUSTRATED PARTS CATALOG

A105375



CTR. COMPARTMENT AFT
MAX. WEIGHT 270 LBS.

MAX FLOOR LOADING
30 LBS. PER SQ FT.
NO SHARP EDGES

229A
DETAIL E

FORWARD COMPARTMENT
MAX. WEIGHT 230 LBS.

MAX FLOOR LOADING
30 LBS. PER SQ FT.
NO SHARP EDGES

225A
DETAIL A

CTR. COMPARTMENT FWD
MAX. WEIGHT 310 LBS.

MAX FLOOR LOADING
30 LBS. PER SQ FT.
NO SHARP EDGES

228A
DETAIL D

CTR. COMPARTMENT
MAX. WEIGHT 310 LBS.

MAX FLOOR LOADING
30 LBS. PER SQ FT.
NO SHARP EDGES

226A
DETAIL B

AFT. COMPARTMENT
MAX. WEIGHT 280 LBS.

MAX FLOOR LOADING
30 LBS. PER SQ FT.
NO SHARP EDGES

227A
DETAIL C

U.S. EXTERIOR PLACARDS AND MARKINGS - FUSELAGE
 FIGURE 01 (SHEET 4)

2610T7007
 AA2610T1029
 AA2610T2005

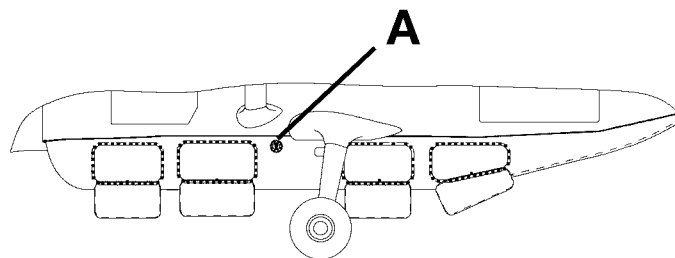
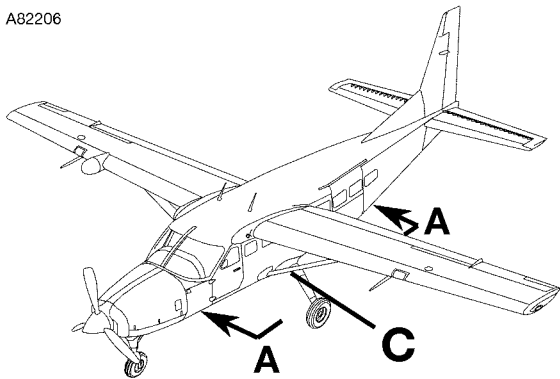
CESSNA®
MODEL 208
ILLUSTRATED PARTS CATALOG

| FIG ITEM | PART NUMBER | NOMENCLATURE | UNITS PER ASSY | |
|-------------|-------------|--|----------------------|----|
| | | | 1 2 3 4 5 6 7 | |
| 01 | | | | |
| - 225 | 2601219-1 | . SILKSCREEN-FWD REFER TO NOTE 1 | | 01 |
| 225A | S4501-4 | . PLACARD-FWD COMPARTMENT | 0614 & ON | 01 |
| - 225B | S4501-9 | . PLACARD-FWD COMPARTMENT | B5454 & ON | AR |
| | | | B5454 & ON | |
| - 226 | 2601219-2 | . SILKSCREEN-CTR REFER TO NOTE 1 | | 01 |
| 226A | S4501-5 | . PLACARD-CTR COMPARTMENT | 0007 & ON | 01 |
| - 226B | S4501-10 | . PLACARD-CTR COMPARTMENT | 0007 & ON | AR |
| - 227 | 2601219-3 | . SILKSCREEN-AFT REFER TO NOTE 1 | | 01 |
| 227A | S4501-1 | . PLACARD-AFT COMPARTMENT | 0614 & ON | 01 |
| | | | B5454 & ON | |
| - 227B | S4501-6 | . PLACARD-AFT COMPARTMENT | 0614 & ON | AR |
| | | | B5454 & ON | |
| - 228 | 2601219-6 | . SILKSCREEN-FWD CTR REFER TO NOTE 1 | | 01 |
| 228A | S4501-3 | . PLACARD-CTR FWD | B5454 & ON | 01 |
| - 228B | S4501-8 | . PLACARD-CTR FWD | B5454 & ON | AR |
| - 229 | 2601219-7 | . SILKSCREEN-AFT CTR REFER TO NOTE 1 | | 01 |
| 229A | S4501-2 | . PLACARD-CTR AFT | B5454 & ON | 01 |
| - 229B | S4501-7 | . PLACARD-CTR AFT | B5454 & ON | AR |

NOTE 1—WHEN ORDERING SILKSCREEN PART NUMBERS, THE PRODUCT YOU RECIEVE WILL BE IN THE FORM OF A PLACARD

CESSNA®
MODEL 208
 ILLUSTRATED PARTS CATALOG

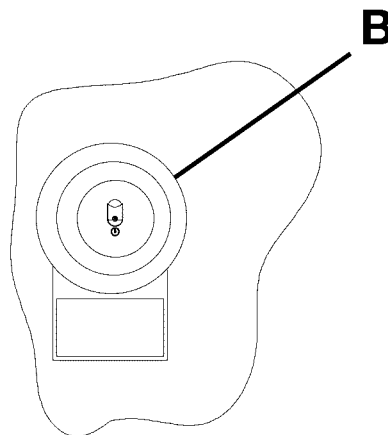
A82206



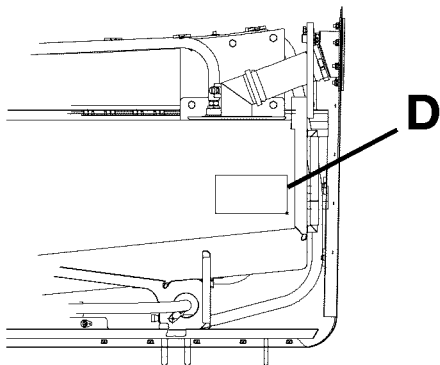
VIEW A-A
 208B

THE TKS SIGHT GAGE IS THE ONLY APPROVED MEANS OF ASSURING ADEQUATE FLUID QUANTITY PRIOR TO FLIGHT INTO KNOWN OR FORECAST ICING CONDITIONS. THE FLUID LEVEL BALL MUST BE ABOVE THE MINIMUM DISPATCH QUANTITY LINE (11.7 U.S. GALLONS). THE AIRCRAFT MUST BE LEVEL TO ENSURE PROPER INDICATIONS. 2605076-4

2
DETAIL D



DETAIL A



DETAIL C
 208B



1A
DETAIL B



1
DETAIL B

2610T7005
 A2614T1428
 C2614T1430
 AA2614T1429

U.S. EXTERIOR PLACARDS AND MARKINGS - TKS
 FIGURE 02 (SHEET 1)

CESSNA®
MODEL 208
 ILLUSTRATED PARTS CATALOG

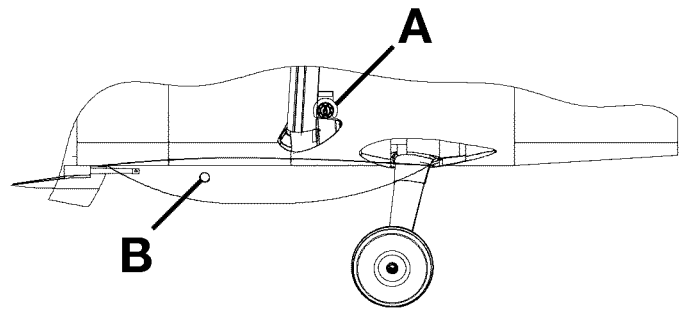
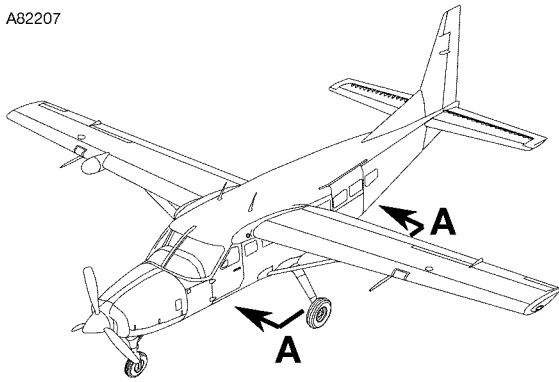
| FIG ITEM | PART NUMBER | NOMENCLATURE | UNITS PER ASSY | | |
|-------------|-------------|---|----------------------|-------|----|
| | | | 1 | 2 | 3 |
| 02 | | | | | |
| - | | U.S. EXTERIOR PLACARDS AND MARKINGS - TKS REFER TO NOTE 1 | 0500 | & ON | RF |
| | | | B2000 | & ON | |
| 1 | 7000-50 | . PLACARD-TKS FILLER CAP WITH POD REFER TO NOTE 2 VASTL | B2000 | B5048 | 01 |
| 1A | 2605076-15 | . PLACARD-TKS FILLER CAP WITH POD REFER TO NOTE 2 | B5049 | & ON | 01 |
| 2 | 2605076-4 | . PLACARD-TKS OPERATIONS LIMIT | B2000 | & ON | 01 |

NOTE 1—THIS FIGURE CONTAINS PRODUCTION PARTS AND ASSEMBLIES INSTALLED WITH THE TKS AND/OR LOW AIRSPEED AWARENESS (LAA) SYSTEMS. TO ORDER PARTS FOR SERIAL SPECIFIC CONFIGURATIONS/INSTALLATIONS MODIFIED BY SK208-174, SK208-175, SK208-179, SK208-180, CAB09-9, AND CAB08-7, PLEASE REFER TO THE LATEST APPLICABLE REVISION OF THE SPECIFIC CARAVAN BULLETIN (CAB) AND/OR SERVICE KIT (SK) FOR DETAILED ORDERING INFORMATION.

NOTE 2—AIRPLANES -B5049 & ON AND AIRPLANES -0416 THRU -0568 AND -B0001 THRU -B5178 INCORPORATING CAB-30-03

CESSNA®
MODEL 208
 ILLUSTRATED PARTS CATALOG

AB2207

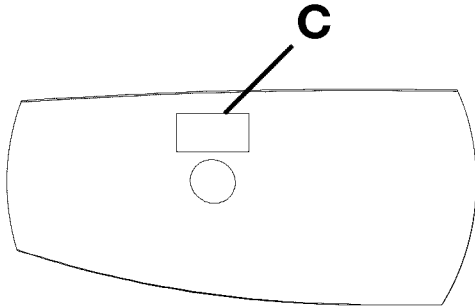


VIEW A-A

THE TKS SIGHT GAGE IS THE ONLY APPROVED MEANS OF ASSURING ADEQUATE FLUID QUANTITY PRIOR TO FLIGHT INTO KNOWN OR FORECAST ICING CONDITIONS. THE FLUID LEVEL BALL MUST BE ABOVE THE MINIMUM DISPATCH QUANTITY LINE (11.7 U.S. GALLONS). THE AIRCRAFT MUST BE LEVEL TO ENSURE PROPER INDICATIONS.

2605076-4

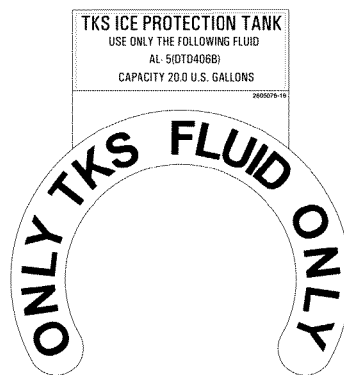
**76
 DETAIL C**



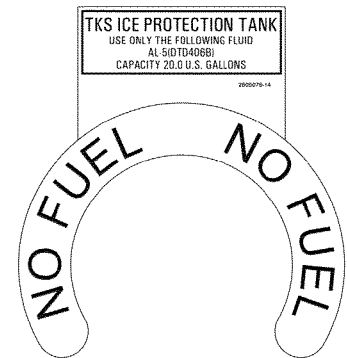
DETAIL B



**75
 DETAIL A**



**75B
 DETAIL A**



**75A
 DETAIL A**

**U.S. EXTERIOR PLACARDS AND MARKINGS - TKS
 FIGURE 02 (SHEET 2)**

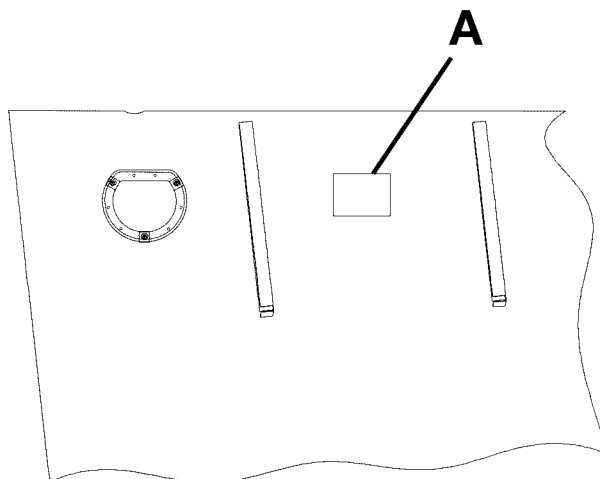
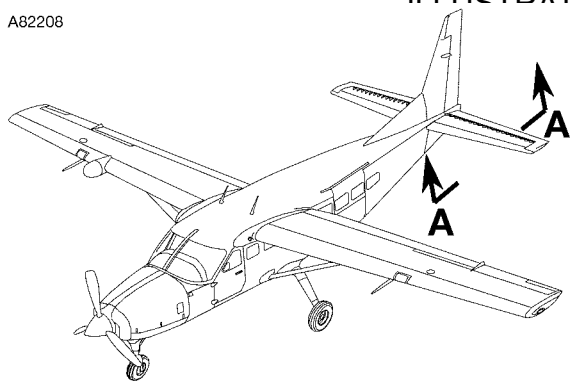
2610T7005
 AA2614T1454
 B2614T1455

CESSNA®
MODEL 208
 ILLUSTRATED PARTS CATALOG

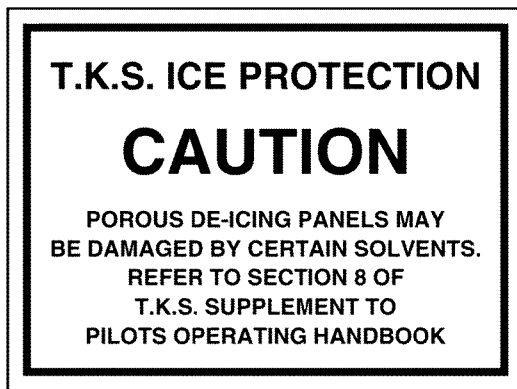
| FIG ITEM | PART NUMBER | 1 2 3 4 5 6 7 | NOMENCLATURE | UNITS PER ASSY | | |
|---|-------------|---------------|--|----------------------|-------|------|
| | | | | | | |
| 02 | | | | | | |
| 75 | 2605076-12 | . | PLACARD-TKS FILLER CAP-WITH FARING | 0500 | 0522 | 01 |
| 75A | 2605076-14 | . | PLACARD-TKS FILLER CAP-WITH FARING | 0526 | 0568 | 01 R |
| | | | | B2000 | B5178 | |
| 75B | 2605076-16 | . | PLACARD-TKS FILLER CAP-WITH FARING REFER TO NOTE 1 | 0569 | & ON | 01 R |
| | | | | B5179 | & ON | |
| 76 | 2605076-4 | . | PLACARD-TKS OPERATIONS LIMIT | 0500 | & ON | 01 |
| NOTE 1—AIRPLANES -0569 AND ON AND -B0549 AND ON AND AIRPLANES -0416 THRU -0568 AND -B0001 THRU -B5178 INCORPORATING CAB-30-03 | | | | | | |

CESSNA®
MODEL 208
ILLUSTRATED PARTS CATALOG

A82208



VIEW A-A



150
DETAIL A

2610T7005
AA2614T1456

U.S. EXTERIOR PLACARDS AND MARKINGS - TKS
FIGURE 02 (SHEET 3)

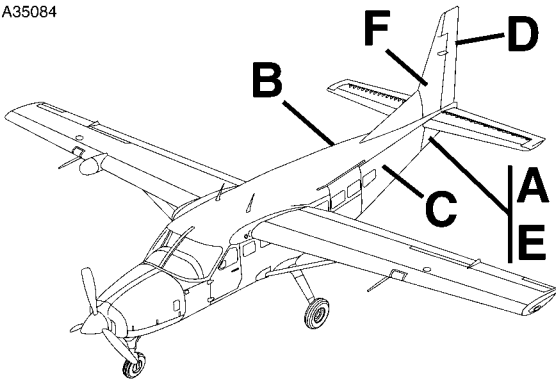
CESSNA®
MODEL 208
 ILLUSTRATED PARTS CATALOG

| FIG ITEM | PART NUMBER | NOMENCLATURE | UNITS PER ASSY |
|-------------|---------------|---|----------------------|
| | 1 2 3 4 5 6 7 | | |
| 02 150 | 7000-03 | . PLACARD - CAUTION LH AND RH REFER TO NOTE 1 VASTL | 02 |

NOTE 1—THIS PART/ASSEMBLY WAS INSTALLED WITH TKS AND/OR LOW AIRSPEED AWARENESS (LAA) SYSTEMS ON PRODUCTION AIRCRAFT AND IS ALSO AFFECTED BY ONE OR MORE OF THE FOLLOWING CESSNA AIRCRAFT CARAVAN BULLETIN(S) AND/OR SERVICE KIT NUMBERS: SK208-174, SK208-175, SK208-179, SK208-180, CAB09-9, AND CAB08-7. PLEASE REFER TO THE SPECIFIC CAB OR SERVICE KIT FOR SERIAL SPECIFIC ORDERING INFORMATION.

CESSNA®
MODEL 208
 ILLUSTRATED PARTS CATALOG

A35084



Aircraft Identification

| | |
|----------|------------|
| UNIT NO. | SERIAL NO. |
| TC | PC |
| MODEL | |

Cessna
A Textron Company

Manufactured By
Cessna Aircraft Company
Wichita, Kansas

1
DETAIL A

Aircraft Identification

| | |
|----------|------------|
| UNIT NO. | SERIAL NO. |
| TC | PC 4 |
| MODEL | |

Cessna
Manufactured by
Textron Aviation Inc.
Wichita, KS USA

1A
DETAIL A

Aircraft Identification

| | |
|----------|------------|
| UNIT NO. | SERIAL NO. |
| TC | PC 4 |
| MODEL | |

Cessna
Manufactured by
Textron Aviation Inc.
Wichita, KS USA

THIS PRODUCT OR COMPONENTS THEREOF MAY BE COVERED BY ONE OR MORE PATENTS OR PENDING APPLICATIONS. SEE: TXTAV.COM/PATENTS FOR DETAILS.

1B
DETAIL A

Catavan

12
DETAIL F

GRAND
Catavan

11
DETAIL F

ELT IS LOCATED BEHIND THIS SURFACE

2
DETAIL B

UNLOCK
 BEFORE TAXI AND FLIGHT

8
DETAIL E

ELT IS LOCATED BEHIND THIS SURFACE

S3816-1

3
DETAIL B



7
DETAIL D

OXYGEN FILLER DOOR

S3816-3

6
DETAIL C

OXYGEN FILLER DOOR

2605041-1

5
DETAIL C

U.S. EXTERIOR PLACARDS AND MARKINGS - EMPENNAGE AND REAR BAGGAGE
 FIGURE 01 (SHEET 1)

2610T7005

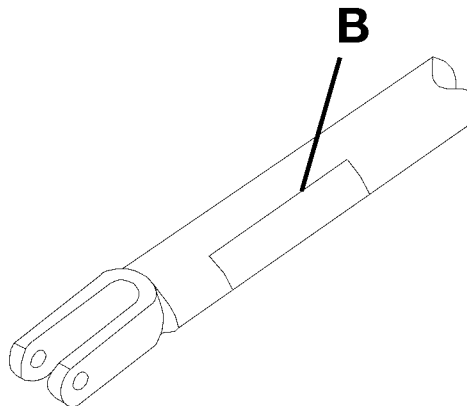
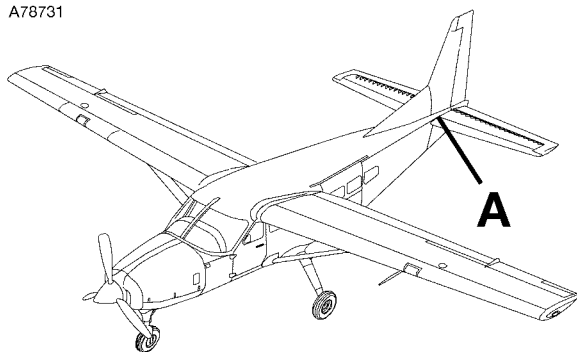
CESSNA®
MODEL 208
ILLUSTRATED PARTS CATALOG

| FIG ITEM | PART NUMBER | NOMENCLATURE | UNITS | |
|-------------|-------------|--|-------------|------|
| | | | PER | ASSY |
| 01 | | U.S. EXTERIOR PLACARDS AND MARKINGS - EMPENNAGE AND REAR BAGGAGE | | RF |
| - | | | | |
| 1 | S2807-1 | . NAMEPLATE-EXTERIOR AIRCRAFT IDENTIFICATION REFER TO NOTE 1 | 0129 0572 | 01 |
| | | | B0077 B5223 | |
| 1A | S4441-1 | . NAMEPLATE-REFER TO NOTE 1 | 0573 0617 | 01 |
| | | | B5224 B5474 | |
| 1B | S4441-11 | . NAMEPLATE-REFER TO NOTE 1 | 0617 & ON | 01 |
| | | | B5475 & ON | |
| 2 | 0405101-4 | . PLACARD ASSY-ELT LOCATION BLACK LETTERS FSO S3816-1 | 0349 0355 | 01 R |
| | | | B0055 & ON | |
| 3 | S3816-1 | . PLACARD - ELT LOCATION BLACK LETTERS FSO S4526-1 | 0128 & ON | 01 R |
| | | | B0199 & ON | |
| - 3A | S4526-1 | . PLACARD - ELT LOCATION BLACK LETTERS SPARES | | 01 R |
| - 4 | 0405101-3 | . PLACARD ASSY-ELT WHITE LETTERS | 0128 & ON | 01 |
| | | | B0055 & ON | |
| 5 | 2605041-1 | . PLACARD ASSY-OXYGEN FILLER DOOR FSO S3816-3 | B0115 B0418 | 01 |
| 6 | S3816-3 | . PLACARD-OXYGEN FILLER DOOR FSO S4526-3 | 0001 & ON | 01 R |
| | | | B0199 & ON | |
| - 6A | S4526-3 | . PLACARD-OXYGEN FILLER DOOR SPARES | | 01 R |
| 7 | 0505104-1 | . MASK-EXTERIOR LOGO | 0119 & ON | 02 |
| | | | B0045 & ON | |
| 8 | 5100181-20 | . PLACARD-RUDDER GUST LOCK BLACK LETTERING FSO S3815-1 | 0237 & ON | NP R |
| | | | B0382 & ON | |
| - 9 | S3815-1 | . PLACARD-RUDDER GUST LOCK FSO S4498-9 | 0237 & ON | 01 R |
| | | | B0382 B1087 | |
| - 9A | S4498-9 | . PLACARD-RUDDER GUST LOCK SPARES | | 01 R |
| - 10 | 5100181-21 | . PLACARD-RUDDER GUST LOCK WHITE LETTERING | 0237 & ON | 01 |
| | | | B0382 & ON | |
| 11 | 2604027-2 | . LOGO MASK-GRAND CARAVAN | B0245 & ON | 01 |
| 12 | 2604027-1 | . LOGO MASK - CARAVAN | 0199 & ON | 01 |

NOTE 1—WHEN ORDERING PART, OWNER MUST SEND A NOTORIZED DOCUMENT STATING REASON FOR ORDERING A NEW ID PLATE, TYPE CERTIFICATE NUMBER, PRODUCTION CERTIFICATE NUMBER, ID PLATE NUMBER, AND MODEL NUMBER. OLD ID PLATE FROM AIRPLANE SHOULD BE ATTACHED TO THE ORDER, IF AVAILABLE. IF NOT ATTACHED, NEW PLATE WILL BE STAMPED "DUPLICATE".

CESSNA®
MODEL 208
ILLUSTRATED PARTS CATALOG

A78731



DETAIL A

| | |
|-----|-------|
| P/N | _____ |
| S/N | _____ |

75
DETAIL B

U.S. EXTERIOR PLACARDS AND MARKINGS - EMPENNAGE AND REAR BAGGAGE
FIGURE 01 (SHEET 2)

2610T7002
A2614T1424

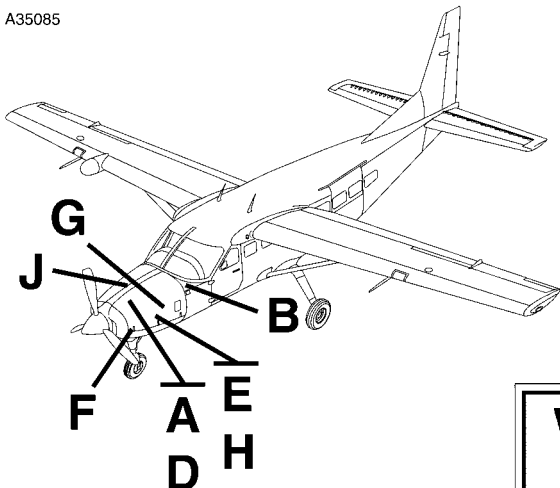
CESSNA®
MODEL 208
 ILLUSTRATED PARTS CATALOG

| FIG ITEM | PART NUMBER | NOMENCLATURE | UNITS PER ASSY |
|-------------|---------------|--|----------------------|
| | 1 2 3 4 5 6 7 | | |
| 01 75 | 6705153-3 | . PLACARD-SERIAL & PART NUMBER | 01 |

- ITEM NOT ILLUSTRATED

CESSNA®
MODEL 208
 ILLUSTRATED PARTS CATALOG

A35085



FEDERAL EXPRESS CORPORATION
 + OWNER AND LESSER +

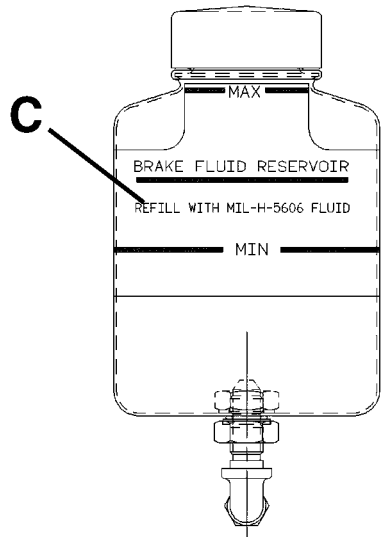
1
DETAIL A

ENGINE OIL
 TOTAL CAPACITY 14 U.S. QUARTS
 DRAIN & FILL 9.5 U.S. QUARTS
 TYPE: SEE PILOT'S OPERATING HANDBOOK
 FOR APPROVED OILS. DO NOT MIX BRANDS.
 SERVICED WITH: _____
 2605009-1


9
DETAIL J

WARNING
 PRESSURIZED OIL TANK
 ENSURE
 OIL DIPSTICK
 IS SECURE

8
DETAIL H



DETAIL B
 RESERVOIR BOTTLE

 **INC VOLT**
 A Textron Company
ALTERNATOR CONTROL UNIT ASSY
 28V STANDBY POWER
 PART NUMBER 2618500-1
 CESSNA
 SERIAL NO _____ WT .85 LB
 MFR _____
 2618500-10

7
DETAIL G

CAUTION
 DO NOT TOW AIRCRAFT
 WITH RUDDER LOCK
 ENGAGED

5
DETAIL F

BRAKE FLUID RESERVOIR
 REFILL WITH MIL-H-5606 FLUID
 _____ MAX _____
 _____ MIN _____
 2605025-3

2
DETAIL C

**LOAD
 SHED
 CNTRL**

4
DETAIL E

**STANDBY
 ALTERNATOR**

3
DETAIL D

2610T7005

U.S. EXTERIOR PLACARDS AND MARKINGS - COWLING
 FIGURE 01 (SHEET 1)

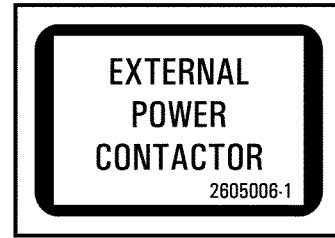
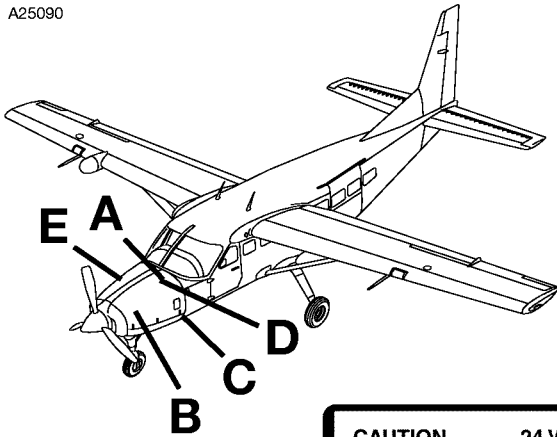
CESSNA®
MODEL 208
 ILLUSTRATED PARTS CATALOG

| FIG ITEM | PART NUMBER | NOMENCLATURE | UNITS PER ASSY | | |
|-------------|-------------|---|----------------------|-------|------|
| | | | 1 | 2 | 3 |
| 01 | | | | | |
| - | | U.S. EXTERIOR PLACARDS AND MARKINGS - COWLING | | | RF |
| 1 | 2605026-1 | . NAMEPLATE-OWNER IDENTIFICATION | 0072 | 0199 | 01 |
| | | | B0001 | & ON | |
| 2 | 2605025-3 | . PLACARD ASSY-BRAKE FLUID RESERVOIR | 0001 | & ON | 01 |
| | | | B0055 | & ON | |
| 3 | 2670015-3 | . PLACARD-STANDBY ALTERNATOR | | | 01 |
| 4 | 2670128-12 | . PLACARD-LOAD SHED CENTRAL | | | 01 |
| 5 | 2605023-3 | . PLACARD ASSY-RUDDER LOCK FSO S3815-2 | 0128 | 0236 | 02 |
| | | | B0055 | B0418 | |
| - 6 | S3815-2 | . PLACARD - RUDDER LOCK FSO S4498-10 | 0237 | & ON | NP R |
| | | | B0382 | B1087 | |
| - 6A | S4498-10 | . PLACARD - RUDDER LOCK SPARES | | | 02 R |
| 7 | 2618500-10 | . PLACARD-ALTERNATOR CONTROL UNIT | 0381 | 0523 | 01 |
| | | | B1074 | B2211 | |
| - 7A | 2618500-12 | . PLACARD-ALTERNATOR CONTROL UNIT | 0524 | 0534 | 01 |
| | | | B2212 | B2340 | |
| - 7B | 2618510-11 | . PLACARD-ALTERNATOR CONTROL UNIT | 0535 | & ON | 01 |
| | | | B2341 | & ON | |
| 8 | 2658066-1 | . PLACARD-PRESSURIZED OIL TANK | | | 01 |
| 9 | 2605009-1 | . PLACARD-ENGINE OIL CAPACITY | | | 01 |
| - 10 | 2605008-2 | . PLACARD-EPA CAN WHITE LETTERING | | | 01 |
| - 11 | 2605008-2 | . PLACARD-EPA CAN BLACK LETTERING | | | 01 |
| - 12 | 2605006-5 | . PLACARD-GENERATOR CONTACTOR | | | 01 |
| - 13 | 2605006-6 | . PLACARD-BATTERY CONTACTOR | | | 01 |
| - 14 | 6705153-3 | . SERIAL & PART NO PLACARD-ENGINE MOUNT | | | 01 |

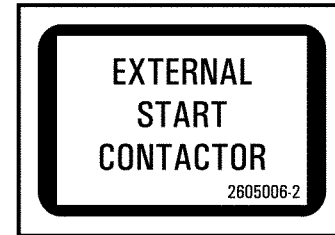
- ITEM NOT ILLUSTRATED

CESSNA®
MODEL 208
 ILLUSTRATED PARTS CATALOG

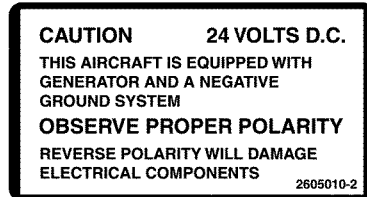
A25090



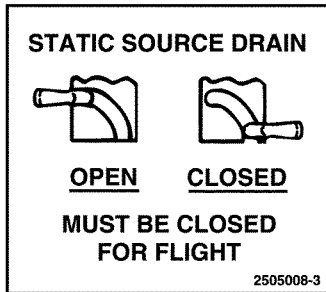
75
DETAIL A



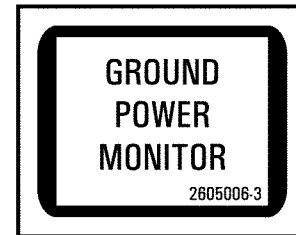
76
DETAIL A



84
DETAIL E



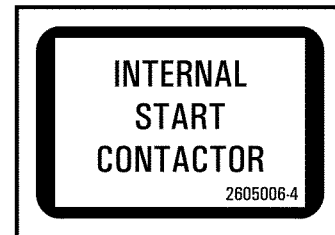
83
DETAIL D



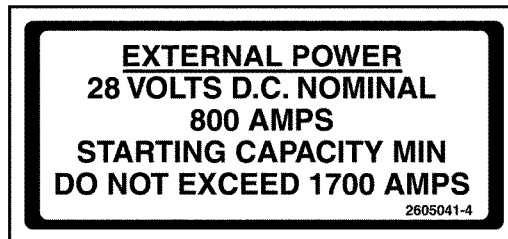
77
DETAIL A



81
DETAIL C



78
DETAIL A



79
DETAIL B

2610T7005

U.S. EXTERIOR PLACARDS AND MARKINGS - COWLING
 FIGURE 01 (SHEET 2)

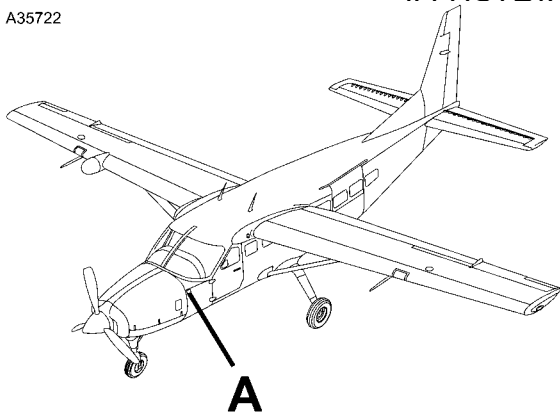
CESSNA®
MODEL 208
 ILLUSTRATED PARTS CATALOG

| FIG ITEM | PART NUMBER | NOMENCLATURE | UNITS PER ASSY | |
|-------------|-------------|--|--------------------------|------|
| | | | 1 2 3 4 5 6 7 | |
| 01 | | | | |
| 75 | 2605006-1 | . PLACARD-EXTERNAL POWER CONTACTOR | | 01 |
| 76 | 2605006-2 | . PLACARD-EXTERNAL START CONTACTOR | | 01 |
| 77 | 2605006-3 | . PLACARD-GROUND POWER MONITOR | | 01 |
| 78 | 2605006-4 | . PLACARD-INTERNAL START CONTACTOR | | 01 |
| 79 | 2605041-4 | . PLACARD-EXTERNAL POWER FSO S3816-2 | | 01 |
| - 80 | S3816-2 | . PLACARD - EXTERNAL POWER FSO S4526-2 | 0140 & ON B0199 & ON | NP R |
| - 80A | S4526-2 | . PLACARD - EXTERNAL POWER SPARES | | 02 R |
| 81 | 2605041-3 | . PLACARD ASSY-FUEL FILTER FSO S3816-4 | | 01 |
| - 82 | S3816-4 | . PLACARD-FUEL FILTER DRAIN FSO S4526-4 | 0140 & ON B0199 B4999 | 01 R |
| - 82A | S4526-4 | . PLACARD-FUEL FILTER DRAIN SPARES | | 01 R |
| 83 | 2505008-3 | . PLACARD-STATIC SOURCE DRAIN VALVE ZONE | | 01 |
| 84 | 2605010-2 | . PLACARD ASSY-BATTERY BOX | | 01 |

- ITEM NOT ILLUSTRATED

CESSNA®
MODEL 208
 ILLUSTRATED PARTS CATALOG

A35722



| | | |
|-----------------------|--------------------|---------------------|
| LINE CONT SENSE | KEEP ALIVE 2 | CLOCK ALIVE 1 |
|-----------------------|--------------------|---------------------|

150
DETAIL A

| |
|--------------|
| ETM POWER |
|--------------|

155
DETAIL A

| | |
|-----------------------|--------------|
| LINE CONT SENSE | CABIN LTS |
|-----------------------|--------------|

151
DETAIL A

| | | | |
|----------------------------|---------------|-------------------------|-------|
| ETM CONTINUOUS POWER | BAT SWITCH | ANTI CYCLE SWITCH | CLOCK |
|----------------------------|---------------|-------------------------|-------|

154
DETAIL A

| | | |
|-----------------------|--------------|--------------------|
| LINE CONT SENSE | CABIN LTS | BCN MON ITOR |
|-----------------------|--------------|--------------------|

152
DETAIL A

| | | |
|-------------------|-------------------------|-------|
| BATTERY SWITCH | ANTI CYCLE SWITCH | CLOCK |
|-------------------|-------------------------|-------|

153
DETAIL A

| | | | |
|----------------|-----------------------|--------------|----------------------|
| GEN CONTROL | LINE CONT SENSE | CABIN LTS | BCN MON - ITOR |
|----------------|-----------------------|--------------|----------------------|

152A
DETAIL A

2610T7005

U.S. EXTERIOR PLACARDS AND MARKINGS - COWLING
 FIGURE 01 (SHEET 3)

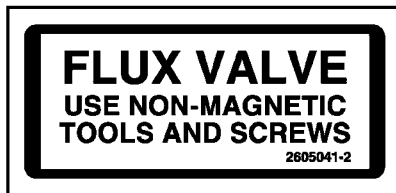
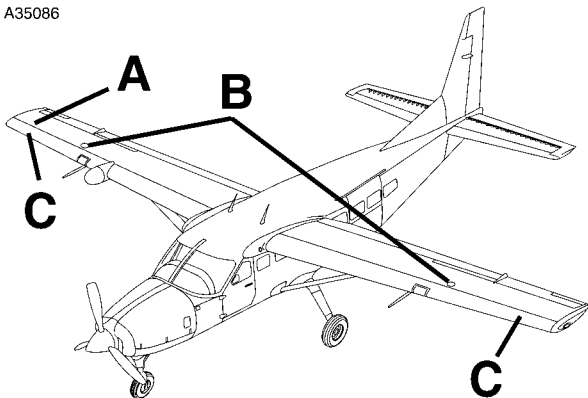
CESSNA®
MODEL 208
 ILLUSTRATED PARTS CATALOG

| FIG ITEM | PART NUMBER | NOMENCLATURE | UNITS PER ASSY | | |
|-------------|-------------|-------------------------------|----------------------|-------|------|
| | | | 1 | 2 | 3 |
| 01 | | | | | |
| 150 | 2670015-1 | . PLACARD-RELAY BOX | 0001 | 0145 | 01 |
| | | | B0001 | B0179 | |
| 151 | 2670015-4 | . PLACARD-RELAY BOX | 0146 | 0234 | 01 |
| | | | B0180 | B0368 | |
| 152 | 2670015-6 | . PLACARD-RELAY BOX | 0235 | & ON | 01 |
| | | | B0369 | & ON | |
| 152A | 2670015-11 | . PLACARD-RELAY BOX | 0664 | & ON | 01 R |
| | | | B5591 | & ON | |
| 153 | 2670015-2 | . PLACARD-RELAY BOX | 0001 | 0381 | 01 |
| | | | B0001 | B1086 | |
| 154 | 2670015-9 | . PLACARD-RELAY BOX | 0382 | 0499 | 01 |
| | | | B1087 | B1999 | |
| - 154A | 2670015-10 | . PLACARD-RELAY BOX | 0500 | & ON | 01 |
| | | | B2000 | & ON | |
| 155 | 2670015-8 | . PLACARD-RELAY BOX | 0382 | & ON | 01 |
| | | | B1087 | & ON | |

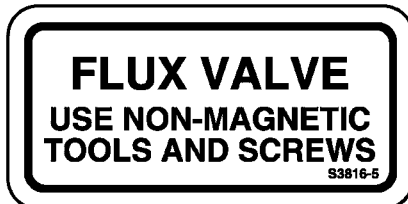
- ITEM NOT ILLUSTRATED

CESSNA®
MODEL 208
 ILLUSTRATED PARTS CATALOG

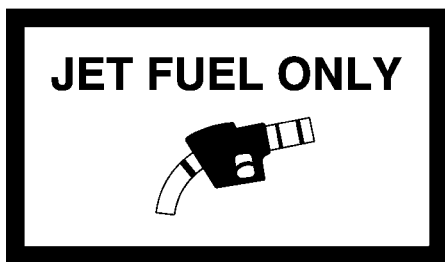
A35086



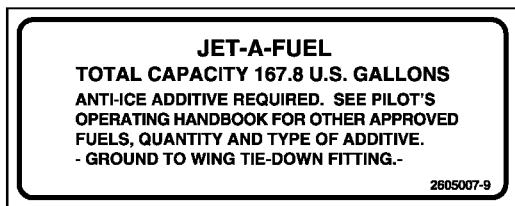
1
 DETAIL A



3
 DETAIL A



8
 DETAIL C



4
 DETAIL B
 OUTBD FUEL FILL



7
 DETAIL B
 INBD FUEL FILL



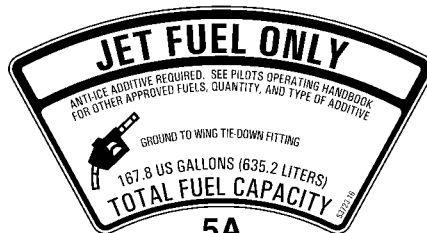
5
 DETAIL B
 OUTBD FUEL FILL



6
 DETAIL B
 INBD FUEL FILL



5C
 DETAIL B
 OUTBD FUEL FILL



5A
 DETAIL B
 OUTBD FUEL FILL

2610T7005

U.S. EXTERIOR PLACARDS AND MARKINGS - WINGS
 FIGURE 01 (SHEET 1)

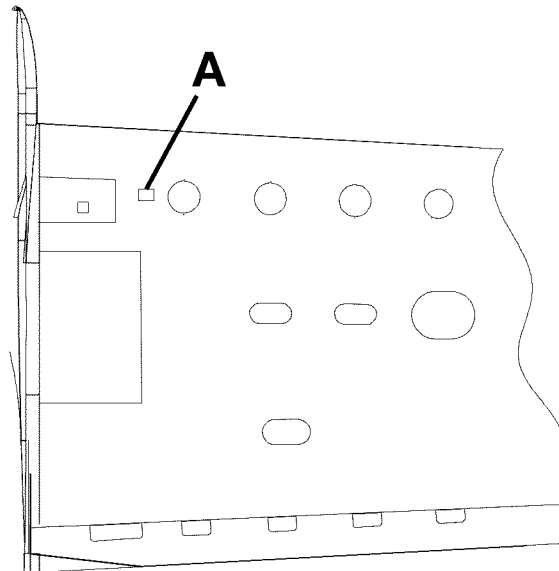
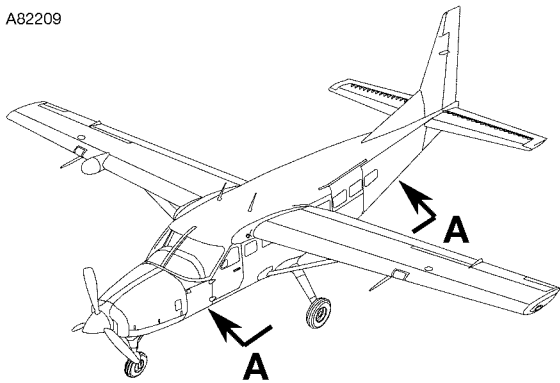
CESSNA®
MODEL 208
ILLUSTRATED PARTS CATALOG

| FIG ITEM | PART NUMBER | NOMENCLATURE | UNITS PER ASSY | | |
|-------------|-------------|---|----------------------|-------|------|
| | | | 1 | 2 | 3 |
| 01 | | U.S. EXTERIOR PLACARDS AND MARKINGS - WINGS | | | RF |
| - 1 | 2605041-2 | . PLACARD ASSY-FLUX VALVE FSO S3816-5 | B0115 | B0418 | NP |
| - 2 | 9754008-24 | . PLACARD-FLUX VALVE FSO S3816-5 | 0001 | 0139 | 01 R |
| | | | B0001 | B0988 | |
| 3 | S3816-5 | . PLACARD - FLUX VALVE FSO S4526-5 | 0128 | & ON | 01 R |
| | | | B0199 | & ON | |
| - 3A | S4526-5 | . PLACARD - FLUX VALVE SPARES | | | 01 R |
| 4 | 2605007-9 | . PLACARD ASSY-FUEL CAPACITY OUTBD FUEL FILLER FSO S3723-16 | B0090 | & ON | NP |
| 5 | S3723-8 | . PLACARD-167.8GAL/635.2L FUEL CAPACITY FSO S3723-16 | 0131 | 0395 | NP |
| | | | B0199 | B1170 | |
| 5A | S3723-16 | . PLACARD-167.8GAL/635.2L FUEL CAPACITY FSO S4505-13 | 0396 | 0499 | 02 R |
| | | | B1171 | B4999 | |
| - 5B | S4505-13 | . PLACARD-167.8GAL/635.2L FUEL CAPACITY SPARES | | | 02 R |
| 5C | S3723-22 | . PLACARD-167.8GAL/635.2L FUEL CAPACITY FSO S4505-19 | B5000 | & ON | 02 R |
| - 5D | S4505-19 | . PLACARD-167.8GAL/635.2L FUEL CAPACITY SPARES | | | 02 R |
| 6 | 2605007-11 | . PLACARD ASSY-FUEL CAPACITY INBD FUEL FILLER FSO S3723-9 | | | 02 R |
| 7 | S3723-9 | . PLACARD-120.3GAL/455.3L INBD FUEL CAPACITY FSO S4373-7 | 0131 | & ON | 02 R |
| | | | B0214 | & ON | |
| - 7A | S4373-7 | . PLACARD-120.3GAL/455.3L INBD FUEL CAPACITY | | | 02 |
| 8 | 2605042-1 | . PLACARD-A JET FUEL ONLY REFER TO NOTE 1 | B0115 | & ON | 02 |

NOTE 1—PART IS REPLACED BY S3723-9 OR S3723-8 DEPENDING ON THE LOCATION.

CESSNA®
MODEL 208
ILLUSTRATED PARTS CATALOG

A82209



VIEW A-A

T.K.S. ICE PROTECTION
CAUTION
POROUS DE-ICING PANELS MAY
BE DAMAGED BY CERTAIN SOLVENTS.
REFER TO SECTION 8 OF
T.K.S. SUPPLEMENT TO
PILOTS OPERATING HANDBOOK

1
DETAIL A

2610T7005
AA2614T1457

U.S. EXTERIOR PLACARDS AND MARKINGS - TKS
FIGURE 02 (SHEET 1)

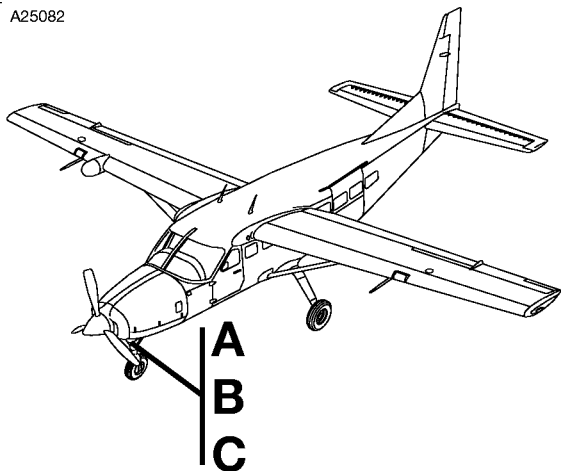
CESSNA®
MODEL 208
 ILLUSTRATED PARTS CATALOG

| FIG ITEM | PART NUMBER | 1 2 3 4 5 6 7 | NOMENCLATURE | UNITS PER ASSY | | |
|-------------|-------------|---------------|---|----------------------|------|------|
| | | | | | | |
| 02 | | | U.S. EXTERIOR PLACARDS AND MARKINGS - TKS REFER TO NOTE 1 | 0500 | & ON | RF R |
| - | | | | B2000 | & ON | |
| 1 | 7000-03 | | . PLACARD - CAUTION LH AND RH VASTL | | | 02 |

NOTE 1—THIS FIGURE CONTAINS PRODUCTION PARTS AND ASSEMBLIES INSTALLED WITH THE TKS AND/OR LOW AIRSPEED AWARENESS (LAA) SYSTEMS. TO ORDER PARTS FOR SERIAL SPECIFIC CONFIGURATIONS/INSTALLATIONS MODIFIED BY SK208-174, SK208-175, SK208-179, SK208-180, CAB09-9, AND CAB08-7, PLEASE REFER TO THE LATEST APPLICABLE REVISION OF THE SPECIFIC CARAVAN BULLETIN (CAB) AND/OR SERVICE KIT (SK) FOR DETAILED INFORMATION. R

CESSNA®
MODEL 208
ILLUSTRATED PARTS CATALOG

A25082



| | |
|-----------|-------|
| P/N | _____ |
| S/N | _____ |
| 6705153-3 | |

1
DETAIL A



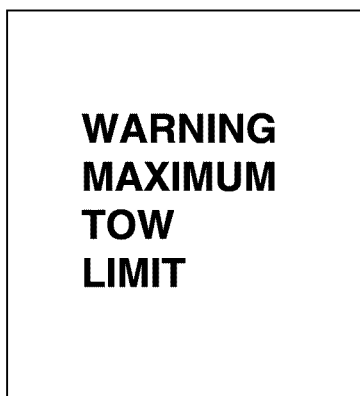
7
DETAIL C



2
DETAIL B



6
DETAIL C



5
DETAIL C



4
DETAIL C

U.S. EXTERIOR PLACARDS AND MARKINGS - LANDING GEAR
FIGURE 01 (SHEET 1)

2610T7005

CESSNA®
MODEL 208
ILLUSTRATED PARTS CATALOG

| FIG ITEM | PART NUMBER | NOMENCLATURE | UNITS PER ASSY | |
|-------------|-------------|--|----------------------|------------|
| | | | 1 2 3 4 5 6 7 | |
| 01 | | U.S. EXTERIOR PLACARDS AND MARKINGS - LANDING GEAR | | RF |
| - 1 | 6705153-3 | . PLACARD-MAIN LANDING GEAR PART NUMBER AND SERIAL NUMBER IDENTIFICATION REFER TO NOTE 1 | 0382 | & ON 09 |
| 2 | 2605023-3 | . PLACARD ASSY-RUDDER LOCK CAUTION FSO S3815-2 | B1083 | & ON |
| | | | 0128 | 0236 NP R |
| | | | B0055 | & ON |
| - 3 | S3815-2 | . PLACARD - RUDDER LOCK FSO S4498-10 REFER TO NOTE 3 | 0237 | & ON 02 R |
| | | | B0382 | B1087 |
| - 3A | S4498-10 | . PLACARD - RUDDER LOCK SPARES REFER TO NOTE 3 | | 02 R |
| 4 | S3815-3 | . PLACARD - TOW LIMIT WARNING FSO S4498-11 REFER TO NOTE 3 | 0128 | & ON 02 R |
| | | | B0199 | & ON |
| - 4A | S4498-11 | . PLACARD - TOW LIMIT WARNING SPARES S3815-3 REFER TO NOTE 3 | | 02 R |
| - 4B | S3815-5 | . PLACARD - RED STRIPE FSO S4498-13 REFER TO NOTE 2 AND NOTE 3 | 0404 | & ON 01 R |
| | | | B1224 | & ON |
| - 4C | S4498-13 | . PLACARD - RED STRIPE SPARES S3815-5 REFER TO NOTE 2 AND NOTE 3 | | 01 R |
| 5 | 2505045-2 | . PLACARD ASSY-TOW LIMIT WARNING FSO S3815-3 | B0055 | B0418 NP R |
| - 5A | S3815-3 | . PLACARD - TOW LIMIT WARNING ALT FOR S4498-11 REFER TO NOTE 3 | 0128 | & ON 02 R |
| | | | B0199 | & ON |
| 6 | 2605050-1 | . PLACARD ASSY-TUG TOW FSO S3815-4 | 0001 | & ON NP R |
| | | | B0001 | & ON |
| 7 | S3815-4 | . PLACARD - TUG TOW FSO S4498-12 | | 02 R |
| - 7A | S4498-12 | . PLACARD - TUG TOW SPARES | | 02 R |

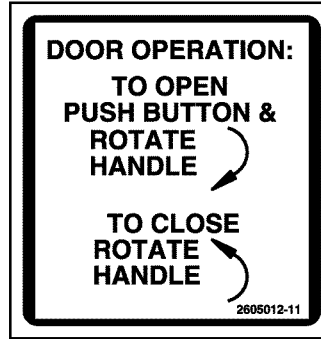
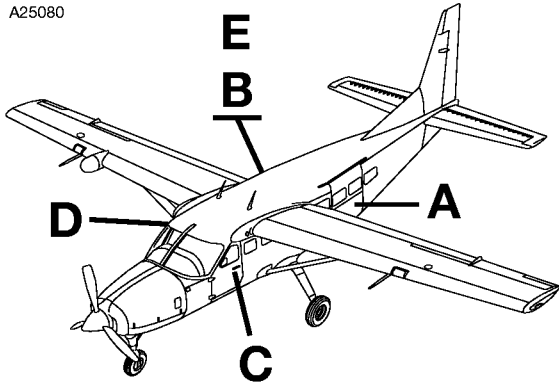
NOTE 1—AIRPLANES -0001 THRU -0381 AND -B0001 THRU -B1082 INCORPORATING CAB03-7.

NOTE 2—AIRPLANES -0404 AND ON AND -B1224 AND ON AND AIRPLANES -0001 THRU -0403 AND -B0001 THRU -B1223 INCORPORATING CAB07-1.

NOTE 3—AIRPLANES -0544 THRU -0572, -B5000 THRU -B5223, AND -B5225 THRU -B5239 INCORPORATING CAB-32-05

CESSNA®
MODEL 208
 ILLUSTRATED PARTS CATALOG

A25080



1
 DETAIL A



2
 DETAIL A



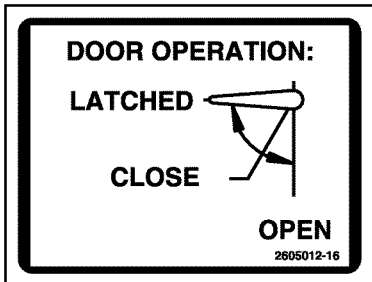
13
 DETAIL E
 LOWER PASSENGER DOOR



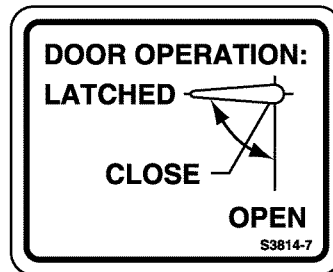
14
 DETAIL E
 LOWER PASSENGER DOOR



4
 DETAIL B



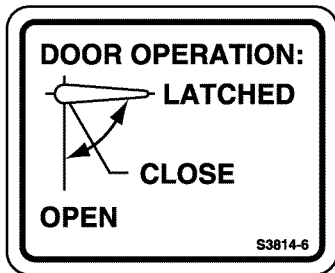
10
 DETAIL D



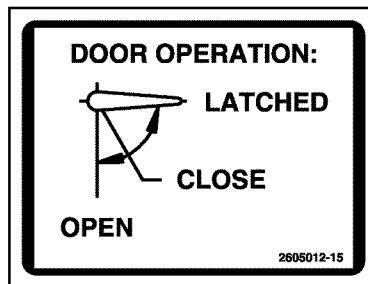
11
 DETAIL D



5
 DETAIL B



8
 DETAIL C



7
 DETAIL C

2610T7005

U.S. EXTERIOR PLACARDS AND MARKINGS - CABIN DOORS
 FIGURE 01 (SHEET 1)

CESSNA®
MODEL 208
ILLUSTRATED PARTS CATALOG

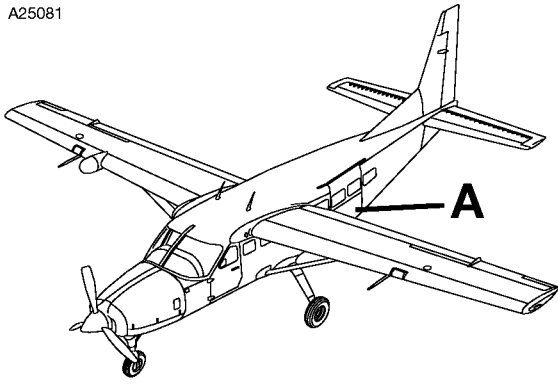
| FIG ITEM | PART NUMBER | NOMENCLATURE | UNITS PER ASSY | |
|-------------|-------------|---|--------------------------|------|
| | | | 1 2 3 4 5 6 7 | |
| 01 | | U.S. EXTERIOR PLACARDS AND MARKINGS - CABIN DOORS | | RF |
| - | | . PLACARD ASSY-CARGO DOOR BLACK LETTERS FSO S3814-4 | | NP R |
| 1 | 2605012-11 | | | |
| 2 | S3814-4 | . PLACARD - CARGO DOOR EXTERIOR FSO S4498-4 | 0128 & ON B0214 & ON | 01 R |
| - 2A | S4498-4 | . PLACARD - CARGO DOOR EXTERIOR SPARES | | 01 R |
| - 3 | 2605012-13 | . PLACARD ASSY-CARGO DOOR WHITE LETTERS FSO S3814-4 | 0128 0500 B0214 B1300 | NP R |
| 4 | 2605012-12 | . PLACARD ASSY-UPR HALF PASSENGER DOOR BLACK LETTERS FSO S3814-5 | 0001 0366 B0001 B1016 | NP R |
| 5 | S3814-5 | . PLACARD-PASSENGER DOOR EXTERIOR FSO S4498-5 | 0128 & ON B0214 & ON | 01 R |
| - 5A | S4498-5 | . PLACARD-PASSENGER DOOR EXTERIOR SPARES | | 01 R |
| - 6 | 2605012-14 | . PLACARD ASSY-PASSENGER DOOR WHITE LETTERS FSO S3814-5 | 0128 0499 B0214 B1300 | NP R |
| 7 | 2605012-15 | . PLACARD ASSY-LH CREW DOOR BLACK LETTERS FSO S3814-6 | B0055 B0418 | NP R |
| 8 | S3814-6 | . PLACARD - LH CREW DOOR EXTERIOR FSO S4498-6 | 0128 & ON B0199 & ON | 01 R |
| - 8A | S4498-6 | . PLACARD - LH CREW DOOR EXTERIOR SPARES | | 01 R |
| - 9 | 2605012-17 | . PLACARD ASSY-LH CREW DOOR WHITE LETTERS FSO S3814-6 | 0128 0499 B0214 B1300 | NP R |
| 10 | 2605012-16 | . PLACARD ASSY-RH CREW DOOR BLACK LETTERS FSO S3814-7 | B0055 B0418 | NP R |
| 11 | S3814-7 | . PLACARD - RH CREW DOOR EXTERIOR FSO S4498-7 | 0128 & ON B0199 & ON | 01 R |
| - 11A | S4498-7 | . PLACARD - RH CREW DOOR EXTERIOR SPARES | | 01 R |
| - 12 | 2605012-18 | . PLACARD ASSY-RH CREW DOOR WHITE LETTERS FSO S3814-7 | 0128 0499 B0214 B1300 | NP R |
| 13 | 2605015-5 | . PLACARD ASSY-LOWER PASSENGER DOOR BLACK LETTER FSO S3814-3 | 0001 0366 B0001 B1016 | NP R |
| 14 | S3814-3 | . PLACARD-LOWER PASSENGER DOOR FSO S4498-3 | 0128 & ON B0214 & ON | 02 R |
| - 14A | S4498-3 | . PLACARD-LOWER PASSENGER DOOR SPARES | | 02 R |
| - 15 | 2605015-6 | . PLACARD ASSY-LOWER PASSENGER DOOR WHITE LETTER FSO S3814-3 | 0128 & ON B0214 & ON | NP R |

- ITEM NOT ILLUSTRATED

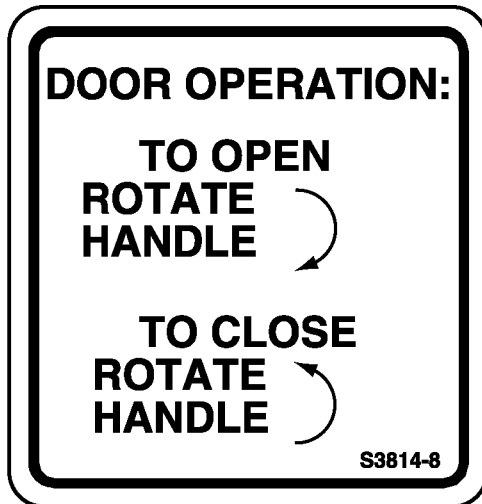
CESSNA®
MODEL 208

ILLUSTRATED PARTS CATALOG

A25081



75
DETAIL A



76
DETAIL A

2610T7005

U.S. EXTERIOR PLACARDS AND MARKINGS - CABIN DOORS
FIGURE 01 (SHEET 2)

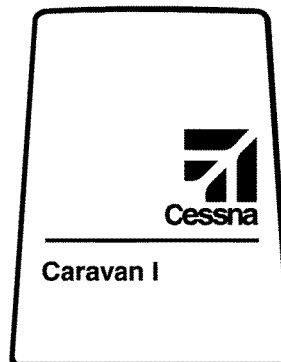
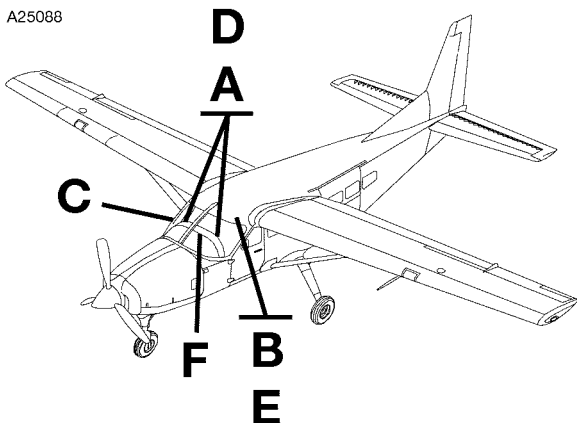
CESSNA®
MODEL 208
 ILLUSTRATED PARTS CATALOG

| FIG ITEM | PART NUMBER | 1 2 3 4 5 6 7 | NOMENCLATURE | UNITS PER ASSY | | |
|-------------|-------------|---------------|---|----------------------|---------------|------|
| | | | | | | |
| 01 | | | | | | |
| 75 | 2605012-19 | . | PLACARD ASSY-CARGO DOOR BLACK LETTERS FSO S3814-8 | 0128 B0055 | 0207 B0418 | NP |
| 76 | S3814-8 | . | PLACARD - CARGO DOOR EXTERIOR FSO S4498-8 | 0208 B0199 | & ON & ON | 01 R |
| - 76A | S4498-8 | . | PLACARD - CARGO DOOR EXTERIOR SPARES | | | 01 R |
| - 77 | 2605012-20 | . | PLACARD ASSY-CARGO DOOR WHITE LETTERS FSO S3814-8 | 0128 B0055 | 0499 B4999 | NP R |

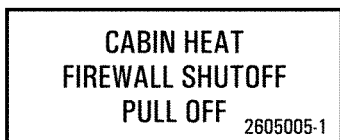
- ITEM NOT ILLUSTRATED

CESSNA®
MODEL 208
 ILLUSTRATED PARTS CATALOG

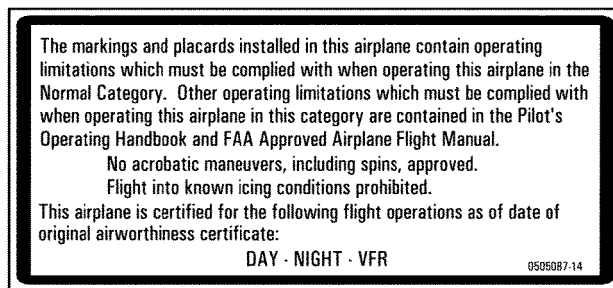
A25088



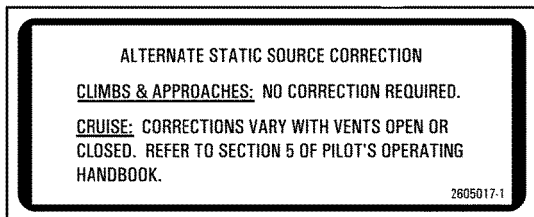
1
DETAIL A



10
DETAIL F



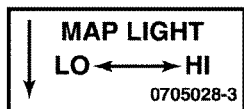
3
DETAIL B



9
DETAIL E



7
DETAIL C



8
DETAIL D

261077002

U.S. INTERIOR PLACARDS AND MARKINGS - FLIGHT COMPARTMENT
 FIGURE 01 (SHEET 1)

CESSNA®
MODEL 208
ILLUSTRATED PARTS CATALOG

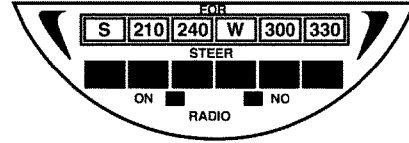
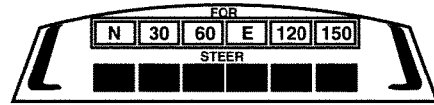
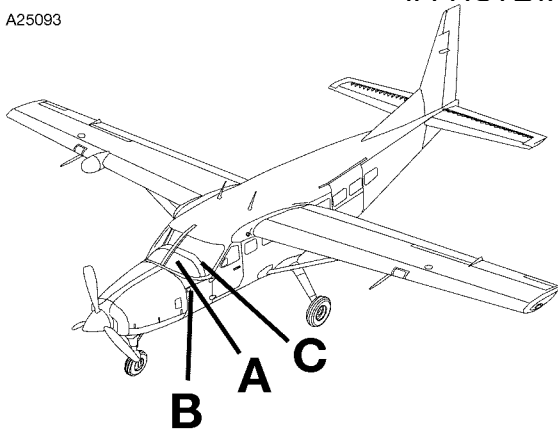
| FIG ITEM | PART NUMBER | NOMENCLATURE | UNITS PER ASSY | |
|-------------|-------------|--|--|---------|
| | | | 1 2 3 4 5 6 7 | |
| 01 | | U.S. INTERIOR PLACARDS AND MARKINGS - FLIGHT COMPARTMENT | | RF |
| - 1 | 0505100-22 | . EMBLEM-CONTROL WHEEL FSO 133181-01 | 0001 0350 | 02 R |
| - 2 | 133181-01 | . LOGO-CONTROL WHEEL | B0001 B0921 0351 0518 0524 0564 B0922 B4999 | 02 R |
| - 2A | 150925-01 | . LOGO-CONTROL WHEEL GRAND CARAVAN EX | B5000 | & ON 02 |
| - 2B | 150924-01 | . LOGO-CONTROL WHEEL SUPER CARGO EX | B5000 | & ON 02 |
| - 2C | 144457-01 | . LOGO-CONTROL WHEEL 25TH ANNIVERSARY | 0519 0523 | 02 |
| - 2D | 146469-01 | . LOGO-675 CARAVAN YOKE | B2162 B2257 | |
| 3 | 0505087-14 | . PLACARD-OPERATIONAL LIMITATIONS VFR FSO 0505087-40 | 0565 & ON | 02 |
| - 3A | 0505087-40 | . PLACARD-OPERATIONAL LIMITATIONS VFR | 0001 0400 | NP |
| - 4 | 0505087-15 | . PLACARD-OPERATIONAL LIMITATIONS IFR FSO 0505087-41 | B0180 B1180 | |
| - 4A | 0505087-41 | . PLACARD-OPERATIONAL LIMITATIONS IFR | 0401 & ON | 01 R |
| - 5 | 2105015-4 | . PLACARD-OPERATIONAL LIMITATIONS KNOWN ICING | 0001 & ON | 01 |
| - 6 | 2105015-7 | . PLACARD-OPERATIONAL LIMITATIONS KNOWN ICING | B0001 & ON | 01 |
| 7 | 2605071-1 | . PLACARD-OPERATIONAL LIMITATIONS KNOWN ICING | 0001 0403 | 01 |
| 8 | 0705028-3 | . PLACARD-MAP LIGHT | B0001 B1210 | |
| 9 | 2605017-1 | . PLACARD-ALTERNATE STATIC SOURCE | 0001 0600 | 01 |
| - 9A | S4242-5 | . PLACARD-ALTERNATE STATIC SOURCE | B0001 B5400 0601 & ON B5401 & ON | 01 |
| 10 | 2605005-1 | . PLACARD-PEDESTAL CABIN HEAT REFER TO NOTE 1 | | 01 |
| - 11 | 2613442-5 | . SILKSCREEN-AUX AUDIO IN REFER TO NOTE 2 | 0500 & ON B2000 & ON | 01 |

NOTE 1—PLACARDS AVAILABLE FOR SPARES OR OPTIONAL EQUIPMENT INSTALLATION AS REQUIRED

NOTE 2—WHEN ORDERING SILKSCREEN PART NUMBERS THE PRODUCT YOU RECEIVE WILL BE IN THE FORM OF A PLACARD

CESSNA®
MODEL 208
 ILLUSTRATED PARTS CATALOG

A25093



75
DETAIL A



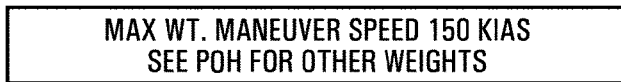
83
DETAIL C



82
DETAIL C



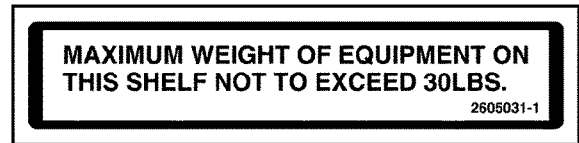
81
DETAIL C



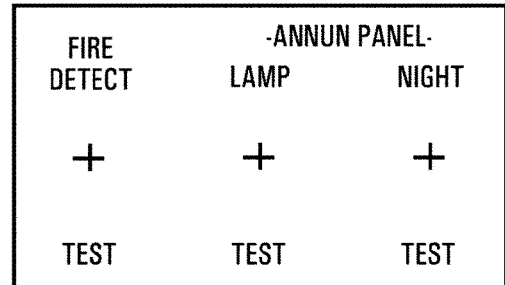
80
DETAIL C



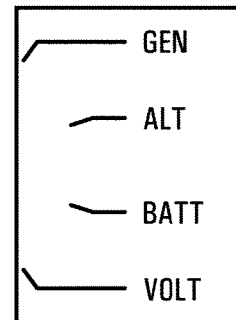
79
DETAIL C



76
DETAIL B



77
DETAIL C



78
DETAIL C

U.S. INTERIOR PLACARDS AND MARKINGS - FLIGHT COMPARTMENT
 FIGURE 01 (SHEET 2)

2610T7002

CESSNA®
MODEL 208
 ILLUSTRATED PARTS CATALOG

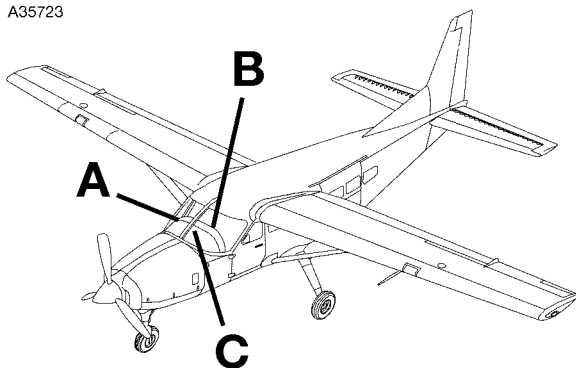
| FIG ITEM | PART NUMBER | NOMENCLATURE | UNITS PER ASSY | | |
|-------------|-------------|--|----------------------|-------|----|
| | | | 1 | 2 | 3 |
| 01 | | | | | |
| 75 | 0400213-6 | . PLACARD SET-COMPASS CORRECTION | | | 01 |
| 76 | 2605021-1 | . PLACARD-BAGGAGE SHELVES | 0001 | 0564 | 01 |
| | | | B5000 | B5288 | |
| 77 | 2605001-7 | . PLACARD-FIRE DETECT REFER TO NOTE 1 | B0001 | & ON | 01 |
| 78 | 2605001-17 | . PLACARD-AMMETER REFER TO NOTE 1 | | | 01 |
| 79 | 2605034-2 | . PLACARD-MAXIMUM AIRSPEED | B0001 | & ON | 01 |
| 80 | 2605001-29 | . PLACARD-MANEUVER SPEED REFER TO NOTE 2 | 0061 | & ON | 01 |
| 81 | 2605034-1 | . PLACARD-ALTERNATE STATIC SOURCE | 0001 | & ON | 01 |
| | | | B0001 | & ON | |
| 82 | 2670128-4 | . PLACARD-SENSOR SYSTEM POWER ON | | | 01 |
| 83 | 2670128-5 | . PLACARD-OFF | | | 01 |

NOTE 1—PLACARDS AVAILABLE FOR SPARES OR OPTIONAL EQUIPMENT INSTALLATION AS REQUIRED.

NOTE 2—AIRPLANES -0061 AND ON, AND AIRPLANES -0001 THRU -0060 INCORPORATING SK208-12.

CESSNA®
MODEL 208
 ILLUSTRATED PARTS CATALOG

A35723



150

DETAIL A

**OPERATION OF THE ANTI-ICE PANEL
 MAY CAUSE COMPASS DEVIATION OF
 MORE THAN 10 DEGREES** 2605028-2

158

DETAIL C

| TIRE PRESSURE | | |
|------------------|-----|---------------------------------------|
| MAIN GEAR | | |
| 6.50 - 10 | 8PR | 83 PSIG |
| 8.50 - 10 | 8PR | 49 ⁺³ / ₋₂ PSIG |
| NOSE GEAR | | |
| 6.50 - 8 | 8PR | 58 ±5 PSIG |
| 22X8.00 - 8 | 6PR | 36 ±6 PSIG |
| 2605020-1 | | |

151

DETAIL A

**OPERATION OF THE AIR CONDITIONER
 MAY CAUSE COMPASS DEVIATION OF
 MORE THAN 10 DEGREES** 2605028-1

157

DETAIL C

| TIRE PRESSURE | | |
|------------------|-----|------------|
| MAIN GEAR | | |
| 8.50 - 10 | 8PR | 55 ±2 PSIG |
| NOSE GEAR | | |
| 22X8.00 - 8 | 6PR | 36 ±6 PSIG |
| 2605020-5 | | |

152

DETAIL A

WARNING
 VERIFY FUEL SELECTORS ON BEFORE TAKEOFF

156

DETAIL B



155

DETAIL B

| TIRE PRESSURE | | |
|------------------|------|------------|
| MAIN GEAR | | |
| 8.50-10 | 8PR | 55 ±2 PSIG |
| 29X11.00-10 | 10PR | 40 ±5 PSIG |
| NOSE GEAR | | |
| 22X8.00-8 | 6PR | 36 ±6 PSIG |
| 2605020-7 | | |

153

DETAIL A



154

DETAIL B

U.S. INTERIOR PLACARDS AND MARKINGS - FLIGHT COMPARTMENT
 FIGURE 01 (SHEET 3)

2610T7002

CESSNA®
MODEL 208
ILLUSTRATED PARTS CATALOG

| FIG ITEM | PART NUMBER | NOMENCLATURE | UNITS | |
|-------------|-------------|--|-------|----------|
| | | | PER | ASSY |
| | | 1 2 3 4 5 6 7 | | |
| 01 | | | | |
| 150 | 2613298-6 | . DECAL-RUDDER LOCK | 0030 | & ON 01 |
| | | | B0001 | & ON |
| 151 | 2605020-1 | . PLACARD-TIRE PRESSURE | 0001 | 0060 01 |
| - 151A | 2605020-6 | . PLACARD-TIRE PRESSURE REFER TO NOTE 2 | 0061 | & ON 01 |
| | | | B0001 | & ON |
| 152 | 2605020-5 | . PLACARD-TIRE PRESSURE | B0001 | & ON 01 |
| 153 | 2605020-7 | . PLACARD-208B TIRE PRESSURE | B0214 | B4999 01 |
| 154 | 2605002-1 | . PLACARD-PEDESTAL RUDDER TRIM REFER TO NOTE 1 | 0001 | 0122 01 |
| 155 | 2605002-2 | . PLACARD-PEDESTAL RUDDER TRIM REFER TO NOTE 1 | 0123 | & ON 01 |
| | | | B0001 | & ON |
| - 155A | 2613278-3 | . PLACARD-PEDESTAL COVER RUDDER TRIM | B5000 | & ON 01 |
| 156 | 2605030-1 | . PLACARD-VERIFY FUEL SELECTOR ON | 0076 | 0105 01 |
| - 156A | 2605070-1 | . PLACARD-ICE/FROST ON AIRCRAFT FSO 2605070-7 | 0400 | 0403 NP |
| | | | B1181 | B1210 |
| - 156B | 2605070-7 | . PLACARD-ICE/FROST ON AIRCRAFT REFER TO NOTE 4 | 0404 | 0404 01 |
| | | | B1211 | B1234 |
| - 156C | 2605070-9 | . PLACARD-ICE/FROST/SNOW ON AIRCRAFT | 0405 | 0499 01 |
| | | | B1235 | B4999 |
| 157 | 2605028-1 | . PLACARD-COMPASS DEV WITH AIR CONDITIONING REFER TO NOTE 3 AND NOTE 6 AND NOTE 7 | 0140 | & ON 01 |
| 158 | 2605028-2 | . PLACARD-COMPASS DEV WITH ANTI-ICE PANEL REFER TO NOTE 2 | B0214 | & ON |
| | | | 0382 | & ON 01 |
| | | | B1088 | & ON |
| - 159 | 2605078-1 | . PLACARD-MAGNETIC COMPASS DEVIATION REFER TO NOTE 5 | | 01 |

NOTE 1—PLACARDS AVAILABLE FOR SPARES OR OPTIONAL EQUIPMENT INSTALLATION AS REQUIRED.

NOTE 2—AIRPLANES -0001 THRU -0122 AND -B0001 THRU -B0039 INCORPORATING SK208-46

NOTE 3—AIRPLANES AIRPLANES -0001 THRU -0139 AND -B0001 THRU -B0213, AND AIRPLANES -0140 THRU -0415, -0417 THRU -0499 AND AIRPLANES -B0214 THRU -B1189, -B1191 THRU -B1215, AND -B1217 THRU -B1999 INCORPORATING SK208-157A.

NOTE 4—AIRPLANES -0404 AND AIRPLANES -B1211 THRU -B1234 AND -0001 THRU -0403 AND AIRPLANES -B0001 THRU -B1210 INCORPORATING CAB06-8.

NOTE 5—USED ON EASA CERTIFIED AIRPLANES

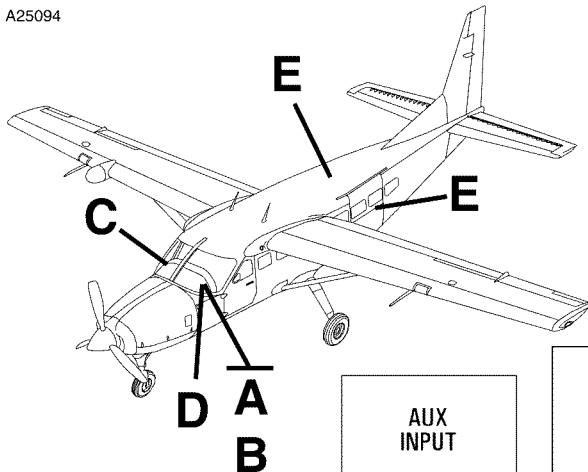
NOTE 6—AIRPLANES -0140 AND ON AND -B0214 AND ON AND AIRPLANES -0500 & ON AND -B2000 THRU -B4999 INCORPORATING CAB-21-03

NOTE 7—AIRPLANES -B0214 AND ON AND AIRPLANES -B5000 AND ON INCORPORATING CAB-21-04.

CESSNA®
MODEL 208

ILLUSTRATED PARTS CATALOG

A25094



WHEN TAKEOFF TORQUE SETTINGS ARE BELOW 1658 FT-LBS, THE AIR CONDITIONER MUST BE OFF FOR TAKEOFF AND LANDING
2605031-1

225

DETAIL A

WHEN TAKEOFF TORQUE SETTINGS ARE BELOW 1865 FT-LBS, THE AIR CONDITIONER MUST BE OFF FOR TAKEOFF AND LANDING
2605031-2

226

DETAIL A

WHEN TAKEOFF TORQUE SETTINGS ARE BELOW 1865 FT-LBS, THE AIR CONDITIONER MUST BE OFF FOR TAKEOFF AND LANDING
2605031-3

227

DETAIL A

WHEN TAKEOFF TORQUE SETTINGS ARE BELOW 2397 FT-LBS, THE AIR CONDITIONER MUST BE OFF FOR TAKEOFF AND LANDING
2605031-4

227A

DETAIL A

RUDDER LOCK
PULL

228

DETAIL B

WARNING
ASSURE THAT ALL CONTAMINANTS, INCLUDING WATER, ARE REMOVED FROM FUEL AND FUEL SYSTEM BEFORE FLIGHT. FAILURE TO ASSURE CONTAMINANT FREE FUEL AND HEED ALL SAFETY INSTRUCTIONS AND OWNER ADVISORIES PRIOR TO FLIGHT CAN RESULT IN BODILY INJURY OR DEATH.
0705098-1

229

DETAIL C

AUX
INPUT

236

DETAIL E

MIC
PHONE

235

DETAIL E

| RPM | MAX TORQUE |
|------|------------|
| 1900 | 1865 |
| 1800 | 1970 |
| 1700 | 1970 |
| 1600 | 1970 |

241

DETAIL D

NAV 1
RMI
NAV 2

237

DETAIL D

| RPM | MAX TORQUE |
|------|------------|
| 1900 | 1658 |
| 1800 | 1751 |
| 1700 | 1854 |
| 1600 | 1970 |

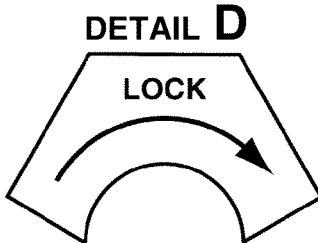
240

DETAIL D

MIC

234

DETAIL D



239

DETAIL D

PHONE

232

DETAIL D

A/P
ROLL
TRIM

238

DETAIL D

WARNING
ASSURE THAT SEAT IS LOCKED IN POSITION PRIOR TO TAXI, TAKE-OFF AND LANDING. FAILURE TO PROPERLY LATCH SEAT AND HEED ALL SAFETY INSTRUCTIONS CAN RESULT IN BODILY INJURY OR DEATH.
0705097-1

230

DETAIL C

U.S. INTERIOR PLACARDS AND MARKINGS - FLIGHT COMPARTMENT
FIGURE 01 (SHEET 4)

2610T7005

**CESSNA®
MODEL 208
ILLUSTRATED PARTS CATALOG**

| FIG ITEM | PART NUMBER | NOMENCLATURE | UNITS PER ASSY | | |
|-------------|-------------|--|----------------------|-------|----|
| | | | 1 | 2 | 3 |
| 01 | | | | | |
| 225 | 2605031-1 | . PLACARD-TORQUE SETTING WITH AIR CONDITIONING REFER TO NOTE 5 | 0140 | 0273 | 01 |
| | | | B0214 | B0654 | |
| 226 | 2605031-2 | . PLACARD-TORQUE SETTING 675 SHP WITH AIR CONDITIONING REFER TO NOTE 6 | 0277 | 0381 | 01 |
| | | | B0230 | B1086 | |
| 227 | 2605031-3 | . PLACARD-TORQUE SETTING 675 SHP WITH AIR CONDITIONING REFER TO NOTE 1 AND NOTE 7 AND NOTE 8 | 0382 | & ON | 01 |
| | | | B1087 | B4999 | |
| 227A | 2605031-4 | . PLACARD-TORQUE SETTING 867 SHP WITH AIR CONDITIONING REFER TO NOTE 1 AND NOTE 9 | B5000 | & ON | 01 |
| 228 | 2605001-24 | . PLACARD-RUDDER LOCK PULL | | | 01 |
| 229 | 0705098-1 | . PLACARD-FUEL CONTAMINATION WARNING | 0099 | & ON | 01 |
| | | | B0001 | & ON | |
| - 229A | 2605070-6 | . PLACARD-DISCONNECT AUTOPILOT REFER TO NOTE 3 | 0001 | 0403 | 01 |
| | | | B0001 | B1210 | |
| - 229B | 2605070-2 | . PLACARD-ICING CONDITIONS IN FLIGHT FSO 2605070-8 | 0001 | 0403 | NP |
| | | | B1181 | B1210 | |
| - 229C | 2605070-8 | . PLACARD-ICING CONDITIONS IN FLIGHT REFER TO NOTE 4 | 0404 | 0499 | 01 |
| | | | B1211 | B1999 | |
| 230 | 0705097-1 | . PLACARD-SEAT STOP LATCH WARNING | 0099 | & ON | 01 |
| | | | B0001 | & ON | |
| - 230A | 2605070-5 | . PLACARD-FLAPS ICING REFER TO NOTE 3 | 0001 | 0403 | 01 |
| | | | B0001 | B1210 | |
| - 231 | 2605001-5 | . PLACARD-PHONE WHITE LETTERS REFER TO NOTE 1 | | | 01 |
| 232 | 2605001-33 | . PLACARD-PHONE BLACK LETTERS REFER TO NOTE 1 | | | 01 |
| - 233 | 2605001-4 | . PLACARD-MIC WHITE LETTERS REFER TO NOTE 1 | | | 01 |
| 234 | 2605001-32 | . PLACARD-MIC BLACK LETTERS REFER TO NOTE 1 | | | 01 |
| 235 | 2670174-6 | . PLACARD-MIC AND PHONE | 0500 | 0504 | 01 |
| | | | B2000 | B2062 | |
| - 235A | 2670174-8 | . PLACARD-MIC AND PHONE | 0583 | & ON | 01 |
| | | | B2063 | & ON | |
| 236 | 2670174-15 | . PLACARD-AUXILIARY INPUT | 0583 | & ON | 01 |
| 237 | 2605001-19 | . PLACARD-NAV 1/NAV 2/RMI REFER TO NOTE 1 | | | 01 |
| 238 | 2605001-20 | . PLACARD-A/P ROLL TRIM REFER TO NOTE 1 | | | 01 |
| 239 | 2605001-26 | . PLACARD-LOCK REFER TO NOTE 1 | | | 01 |
| 240 | 2605052-3 | . PLACARD-600 SHP | | | 01 |
| 241 | 2605052-1 | . PLACARD-675 SHP | | | 01 |

NOTE 1—PLACARDS AVAILABLE FOR SPARES OR OPTIONAL EQUIPMENT INSTALLATION AS REQUIRED.

NOTE 2—AIRPLANES -0001 THRU -0139 AND AIRPLANES -B00001 THRU -B0213 INCORPORATING SK208-157

NOTE 3—AIRPLANES -0001 THRU -0403 AND AIRPLANES -B0001 THRU -B1210 INCORPORATING CAB06-8.

NOTE 4—AIRPLANES -0404 THRU -0499 AND AIRPLANES -B1211 THRU -B1999 AND -0001 THRU -0403 AND AIRPLANES -B0001 THRU -B1210 INCORPORATING CAB06-8.

NOTE 5—AIRPLANES -0140 THRU -0273 AND -B0214 THRU -B0654, AND AIRPLANES -0001 THRU -0403 AND -B0001 THRU -B1210 INCORPORATING SK208-171A AND CAB06-11.

NOTE 6—AIRPLANES -0277 THRU -0381 AND -B0230 THRU -B1086, AND AIRPLANES -0001 THRU -0403 AND -B0001 THRU -B1210 INCORPORATING SK208-171A AND CAB06-11.

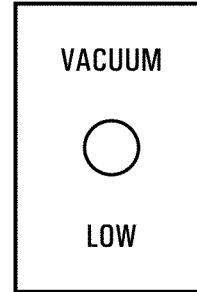
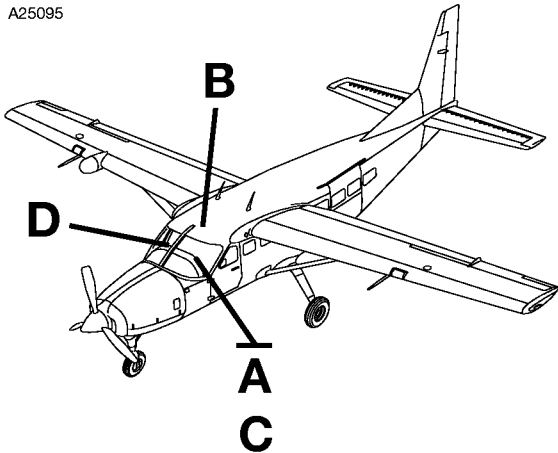
NOTE 7—AIRPLANES -0382 AND ON AND -B1087 THRU -B4999, AND AIRPLANES -0001 THRU -0403 AND -B0001 THRU -B1210 INCORPORATING SK208-171A AND CAB06-11.

NOTE 8—AIRPLANES -0382 AND ON AND -B1087 THRU -B4999, AND AIRPLANES -0500 & ON AND -B2000 THRU -B4999 INCORPORATING CAB-21-03

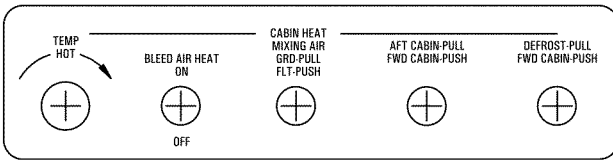
NOTE 9—AIRPLANES -B5000 AND ON AND AIRPLANES -B5000 AND ON INCORPORATING CAB-21-04.

CESSNA®
MODEL 208
 ILLUSTRATED PARTS CATALOG

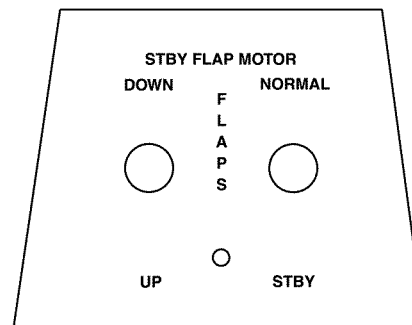
A25095



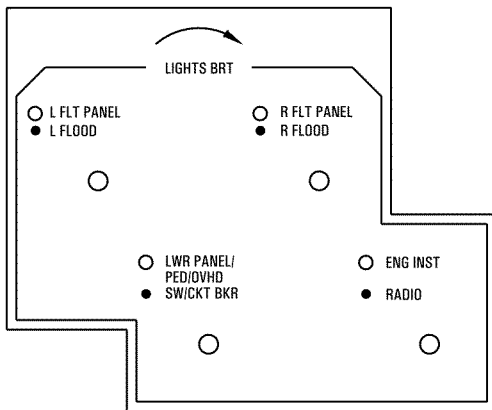
300
DETAIL A



306
DETAIL D



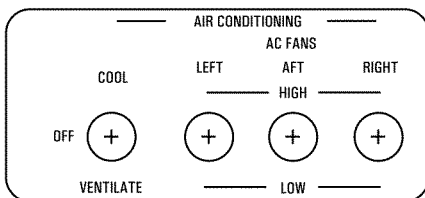
301
DETAIL B



305
DETAIL D

CAUTION
 WITH CARGO DOOR OPEN.
 DO NOT USE ALTERNATE
 STATIC SOURCE 2605049-1

302
DETAIL C



304
DETAIL D

MAX CARGO DOOR OPERATING SPEED: 120 KIAS
MAX SPEED WITH CARGO DOOR OPEN: 155 KIAS

303
DETAIL C

2610T7005

U.S. INTERIOR PLACARDS AND MARKINGS - FLIGHT COMPARTMENT
 FIGURE 01 (SHEET 5)

CESSNA®
MODEL 208
 ILLUSTRATED PARTS CATALOG

| FIG ITEM | PART NUMBER | NOMENCLATURE | UNITS PER ASSY | |
|-------------|-------------|--|----------------------|----|
| | | | 1 2 3 4 5 6 7 | |
| 01 | | | | |
| 300 | 2605001-31 | . PLACARD-LOW VACUUM REFER TO NOTE 1 | | 01 |
| 301 | 2605051-1 | . PLACARD-STANDBY FLAP MOTOR | 0224 & ON | 01 |
| - 301A | 2605051-2 | . PLACARD-STANDBY FLAP MOTOR REFER TO NOTE 2 | B0327 & ON | 01 |
| 302 | 2605049-1 | . PLACARD-CAUTION CARGO DOOR | | 01 |
| 303 | 2605049-2 | . PLACARD-OPERATING SPEED CARGO DOOR | | 01 |
| - 303A | 2605049-3 | . PLACARD-CAUTION CARGO DOOR | B1194 B1199 | 01 |
| 304 | 2605001-15 | . PLACARD-AIR CONDITIONING REFER TO NOTE 1 | B0001 & ON | 01 |
| 305 | 2605001-14 | . PLACARD-LIGHTS BRT REFER TO NOTE 1 | | 01 |
| 306 | 2605001-16 | . PLACARD-CABIN HEAT REFER TO NOTE 1 | | 01 |

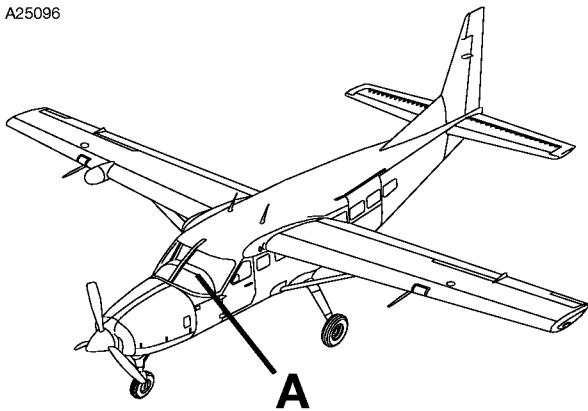
NOTE 1—PLACARDS AVAILABLE FOR SPARES OR OPTIONAL EQUIPMENT INSTALLATION AS REQUIRED.

NOTE 2—AIRPLANES -0001 THRU -0223 AND -B0001 THRU -B0326 INCORPORATING SK208-119.

CESSNA®
MODEL 208

ILLUSTRATED PARTS CATALOG

A25096



OVERSPEED
GOVERNOR
PUSH TO TEST

375
DETAIL A

PARKING
BRAKE
PULL

376
DETAIL A

VENT
PULL ON

377
DETAIL A

ALT STSTIC AIR
PULL ON

378
DETAIL A

MAX WT. MANEUVER SPEED 148 KIAS
SEE POH FOR OTHER WEIGHTS

379
DETAIL A

| | | | | | | | |
|----------------------|---------------------|---------------|----------------|------------------|-------------|------|---------------|
| PITOT/STATIC HEAT | STALL HEAT ON | WING LIGHT | DEICE/ANTH-ICE | | W/S AUTO | PROP | BOOT PRESS |
| | | | W/S PRIMARY | W/S SECONDARY | | | |
| | | | OFF | OFF | OFF | | |
| | | | MANUAL | | | | |

385
DETAIL A

POWER
OUTLET
ALL
CREW
OFF

384
DETAIL A

| | | |
|-------------|----------------------|--------------|
| LIGHTS | | |
| LEFT LDG | TAXI REC'DG ON | RIGHT LDG |
| + | | + |
| STROBE | NAV ON | BCN |
| | | + |
| NO SMOKE | SEAT BELT ON | CABIN |
| + | | + |

383
DETAIL A

| RPM | MAX TORQUE |
|------|---------------|
| 1900 | 1658 |
| 1800 | 1751 |
| 1700 | 1854 |
| 1600 | 1970 |

382
DETAIL A

| | | | | | |
|----------------------|---------------------|---------------|-----|--------------|---------------|
| DEICE/ANTH-ICE | | | | | |
| PITOT/STATIC HEAT | STALL HEAT ON | WING LIGHT | W/S | PROP AUTO | BOOT PRESS |
| + | + | + | + | OFF | OFF |
| | | | | MANUAL | |

380
DETAIL A

INERTIAL SEPARATOR
BYPASS - PULL
NORMAL - PUSH

381
DETAIL A

2610T7005

U.S. INTERIOR PLACARDS AND MARKINGS - FLIGHT COMPARTMENT
FIGURE 01 (SHEET 6)

CESSNA®
MODEL 208
 ILLUSTRATED PARTS CATALOG

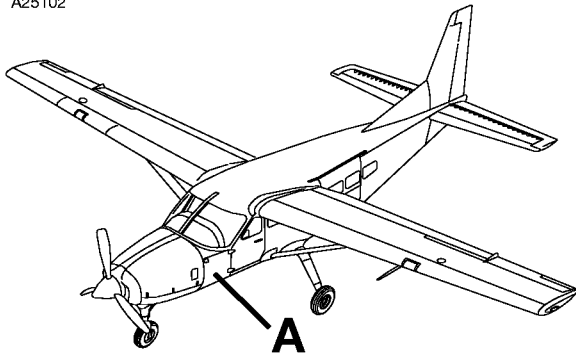
| FIG ITEM | PART NUMBER | NOMENCLATURE | UNITS | |
|-------------|-------------|--|-------------------------|------|
| | | | PER | ASSY |
| 01 | | | | |
| 375 | 2605001-1 | . PLACARD-OVERSPEED GOVERNOR REFER TO NOTE 1 | | 01 |
| 376 | 2605001-3 | . PLACARD-PARKING BRAKE REFER TO NOTE 1 | | 01 |
| 377 | 2605001-6 | . PLACARD-VENT REFER TO NOTE 1 | | 01 |
| 378 | 2605001-13 | . PLACARD-ALT STATIC AIR REFER TO NOTE 1 | | 01 |
| 379 | 2605001-28 | . PLACARD-MANEUVER SPEED REFER TO NOTE 1 AND 2 | 0001 0060 B0001 & ON | 01 |
| 380 | 2605001-11 | . PLACARD-DEICE/ANTI-ICE REFER TO NOTE 1 | | 01 |
| 381 | 2605001-25 | . PLACARD-INERTIAL SEPARATOR REFER TO NOTE 1 | | 01 |
| 382 | 2605001-18 | . PLACARD-RPM 600 SHP REFER TO NOTE 1 | | 01 |
| 383 | 2605001-10 | . PLACARD-LIGHTS REFER TO NOTE 1 | | 01 |
| 384 | 2605001-34 | . PLACARD-DEICE REFER TO NOTE 1 | | 01 |
| 385 | 2605001-35 | . PLACARD-POWER SOURCE REFER TO NOTE 1 | | 01 |

NOTE 1—PLACARDS AVAILABLE FOR SPARES OR OPTIONAL EQUIPMENT INSTALLATION AS REQUIRED

NOTE 2—AIRPLANES -0001 THRU -0060 NOT INCORPORATING SK208-12

CESSNA®
MODEL 208
 ILLUSTRATED PARTS CATALOG

A25102



| | | | | | | | | | |
|-----------|----------|------------|-----------------|-----|------------|-----------------|-------------|----------|-----------|
| BUS 1 PWR | STBY PWR | FLAP MOTOR | STBY FLAP MOTOR | IGN | START CONT | LEFT TURN/ BANK | ANNUN PANEL | GEN CONT | GEN FIELD |
|-----------|----------|------------|-----------------|-----|------------|-----------------|-------------|----------|-----------|

2613338-2

**450
 DETAIL A**

| | | | | | | | | | |
|-----------|----------|----------------|-----------------|---------------|------------------|------------------|-------------|------------|---------------|
| BUS 2 PWR | STBY PWR | LEFT VENT BLWR | RIGHT VENT BLWR | AUX FUEL PUMP | FUEL CONT HEATER | RIGHT TURN/ BANK | ANNUN PANEL | STALL WARN | AIR COND CONT |
|-----------|----------|----------------|-----------------|---------------|------------------|------------------|-------------|------------|---------------|

2613338-3

**451
 DETAIL A**

| | | | | | | | | | |
|-----------|----------|------------|---------------|----------|----------------|---------------|-----------------|-----------------|-------------------|
| BUS 1 PWR | FIRE DET | FUEL TOTAL | LEFT FUEL QTY | OIL TEMP | BLEED AIR HEAT | AFT VENT BLWR | LEFT PITOT HEAT | W/S ANTI-ICE PM | W/S ANTI-ICE CONT |
|-----------|----------|------------|---------------|----------|----------------|---------------|-----------------|-----------------|-------------------|

**452A
 DETAIL A**

| | | | | | | | | | |
|-----------|----------|------------|---------------|----------|----------------|---------------|-----------------|--------------|------------------|
| BUS 1 PWR | FIRE DET | FUEL TOTAL | LEFT FUEL QTY | OIL TEMP | BLEED AIR HEAT | AFT VENT BLWR | LEFT PITOT HEAT | W/S ANTI-ICE | WS ANTI-ICE CONT |
|-----------|----------|------------|---------------|----------|----------------|---------------|-----------------|--------------|------------------|

2613338-4

**452
 DETAIL A**

| | | | | | | | | | |
|-----------|----------|-----------|----------------|----------------|-----------------|-------------|------------------|------------------|------------|
| BUS 2 PWR | ITT GAGE | FUEL FLOW | RIGHT FUEL QTY | AIR SPEED WARM | PROP O-SPD TEST | DE-ICE BOOT | RIGHT PITOT HEAT | W/S ANTI-ICE SEC | TORQUE IND |
|-----------|----------|-----------|----------------|----------------|-----------------|-------------|------------------|------------------|------------|

2613338-42

**453A
 DETAIL A**

| | | | | | | | | | |
|-----------|----------|-----------|----------------|----------------|-----------------|-------------|------------------|---------------|--------------------|
| BUS 2 PWR | ITT GAGE | FUEL FLOW | RIGHT FUEL QTY | AIR SPEED WARM | PROP O-SPD TEST | DE-ICE BOOT | RIGHT PITOT HEAT | PROP ANTI-ICE | PROP ANTI-ICE CONT |
|-----------|----------|-----------|----------------|----------------|-----------------|-------------|------------------|---------------|--------------------|

2613338-5

**453
 DETAIL A**

| | | | | | | | | | |
|-----------|----------------|--------------|--------------|-----------|------------|--------------------|-------------|---------------|--------------------|
| BUS 1 PWR | LEFT LDG LIGHT | STROBE LIGHT | BEACON LIGHT | MAP LIGHT | INST LIGHT | WING ICE DET LIGHT | LH DIR GYRO | PROP ANTI-ICE | PROP ANTI-ICE CONT |
|-----------|----------------|--------------|--------------|-----------|------------|--------------------|-------------|---------------|--------------------|

**454A
 DETAIL A**

| | | | | | | | | | |
|-----------|----------------|--------------|--------------|-----------|------------|--------------------|----------------|-------------|-----------|
| BUS 1 PWR | LEFT LDG LIGHT | STROBE LIGHT | BEACON LIGHT | MAP LIGHT | INST LIGHT | WING ICE DET LIGHT | SEAT BELT SIGN | AMPHIB CONT | GEAR PUMP |
|-----------|----------------|--------------|--------------|-----------|------------|--------------------|----------------|-------------|-----------|

2613338-6

**454
 DETAIL A**

| | | | | | | | | | |
|-----------|-----------------|------------|-----------|-------------------|-----------|-------------|-------------|----------|-----------|
| BUS 2 PWR | RIGHT LDG LIGHT | TAXI LIGHT | NAV LIGHT | RADIO FLOOD LIGHT | RNG LIGHT | RH ATT GYRO | RH DIR GYRO | ENC ALTM | ELEV TRIM |
|-----------|-----------------|------------|-----------|-------------------|-----------|-------------|-------------|----------|-----------|

2613338-7

**456
 DETAIL A**

| | | | | | | | | | |
|-----------|----------------|--------------|--------------|-----------|------------|--------------------|-------------|-------------|-----------|
| BUS 1 PWR | LEFT LDG LIGHT | STROBE LIGHT | BEACON LIGHT | MAP LIGHT | INST LIGHT | WING ICE DET LIGHT | LH DIR GYRO | AMPHIB CONT | GEAR PUMP |
|-----------|----------------|--------------|--------------|-----------|------------|--------------------|-------------|-------------|-----------|

2613338-29

**455
 DETAIL A**

| | | | | | | | | |
|-----------|----------------|--------------|--------------|-----------|------------|--------------------|----------------|------------|
| BUS 1 PWR | LEFT LDG LIGHT | STROBE LIGHT | BEACON LIGHT | MAP LIGHT | INST LIGHT | WING ICE DET LIGHT | SEAT BELT SIGN | INVERTER 1 |
|-----------|----------------|--------------|--------------|-----------|------------|--------------------|----------------|------------|

2613338-16

**458
 DETAIL A**

| | | | | | | | | | |
|-----------|-----------------|------------|-----------|-------------------|-----------|----------------|-------------|----------|-----------|
| BUS 2 PWR | RIGHT LDG LIGHT | TAXI LIGHT | NAV LIGHT | RADIO FLOOD LIGHT | RNG LIGHT | SEAT BELT SIGN | RH ATT GYRO | ENC ALTM | ELEV TRIM |
|-----------|-----------------|------------|-----------|-------------------|-----------|----------------|-------------|----------|-----------|

2613338-27

**457
 DETAIL A**

| | | | | | | | | | |
|-----------|----------------|--------------|--------------|-----------|------------|--------------------|----------------|---------------|--------------------|
| BUS 1 PWR | LEFT LDG LIGHT | STROBE LIGHT | BEACON LIGHT | MAP LIGHT | INST LIGHT | WING ICE DET LIGHT | SEAT BELT SIGN | PROP ANTI-ICE | PROP ANTI-ICE CONT |
|-----------|----------------|--------------|--------------|-----------|------------|--------------------|----------------|---------------|--------------------|

**459A
 DETAIL A**

| | | | | | | | | |
|-----------|----------------|--------------|--------------|-----------|------------|--------------------|----------------|------------|
| BUS 1 PWR | LEFT LDG LIGHT | STROBE LIGHT | BEACON LIGHT | MAP LIGHT | INST LIGHT | WING ICE DET LIGHT | SEAT BELT SIGN | TORQUE IND |
|-----------|----------------|--------------|--------------|-----------|------------|--------------------|----------------|------------|

2613338-20

**459
 DETAIL A**

| | | | | | | | |
|-----------|-----------------|------------|-----------|-------------------|-----------|----------|------------|
| BUS 2 PWR | RIGHT LDG LIGHT | TAXI LIGHT | NAV LIGHT | RADIO FLOOD LIGHT | RNG LIGHT | ENC ALTM | INVERTER 2 |
|-----------|-----------------|------------|-----------|-------------------|-----------|----------|------------|

2613338-11

**461
 DETAIL A**

| | | | | | | | | | |
|-----------|----------------|--------------|--------------|-----------|------------|--------------------|----------------|---------|------------|
| BUS 1 PWR | LEFT LDG LIGHT | STROBE LIGHT | BEACON LIGHT | MAP LIGHT | INST LIGHT | WING ICE DET LIGHT | SEAT BELT SIGN | TRO IND | INVERTER 1 |
|-----------|----------------|--------------|--------------|-----------|------------|--------------------|----------------|---------|------------|

2613338-28

**460
 DETAIL A**

2610T7002

U.S. INTERIOR PLACARDS AND MARKINGS - FLIGHT COMPARTMENT
 FIGURE 01 (SHEET 7)

CESSNA®
MODEL 208
ILLUSTRATED PARTS CATALOG

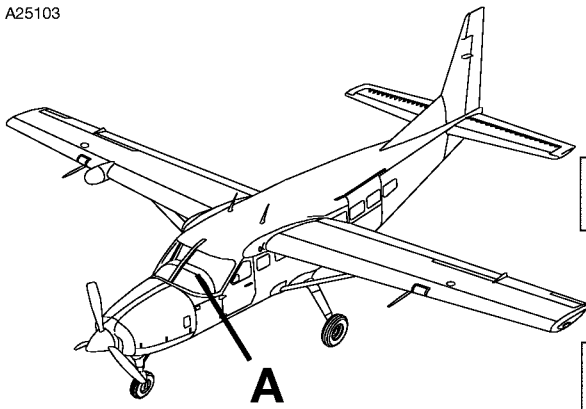
| FIG ITEM | PART NUMBER | NOMENCLATURE | UNITS | |
|-------------|-------------|---|--------------------------|------|
| | | | PER | ASSY |
| 01 | | | | |
| 450 | 2613339-2 | . PLACARD-CIRCUIT BREAKER PANEL REFER TO NOTE 1 | | 01 |
| 451 | 2613339-3 | . PLACARD-CIRCUIT BREAKER PANEL REFER TO NOTE 1 | | 01 |
| 452 | 2613339-4 | . PLACARD-CIRCUIT BREAKER PANEL REFER TO NOTE 1 | 0001 0381 | 01 |
| 452A | 2613339-38 | . PLACARD-CIRCUIT BREAKER PANEL REFER TO NOTE 2 | B0001 B1087 0382 0499 | 01 |
| 453 | 2613339-5 | . PLACARD-CIRCUIT BREAKER PANEL REFER TO NOTE 1 | B1088 B1999 0001 0381 | 01 |
| 453A | 2613339-39 | . PLACARD-CIRCUIT BREAKER PANEL REFER TO NOTE 1 | B0001 B1087 0382 0499 | 01 |
| - 453B | 2613339-42 | . PLACARD-CIRCUIT BREAKER PANEL REFER TO NOTE 2 | B1088 B1999 0382 0499 | 01 |
| 454 | 2613339-6 | . PLACARD-CIRCUIT BREAKER PANEL REFER TO NOTE 1 | B1088 B1170 0001 0145 | 01 |
| 454A | 2613339-40 | . PLACARD-CIRCUIT BREAKER PANEL REFER TO NOTE 2 | 0382 0395 B1088 B1170 | 01 |
| 455 | 2613339-26 | . PLACARD-CIRCUIT BREAKER PANEL REFER TO NOTE 1 | 0146 0381 B0214 B1087 | 01 |
| 456 | 2613339-7 | . PLACARD-CIRCUIT BREAKER PANEL REFER TO NOTE 1 | 0001 0145 | 01 |
| 457 | 2613339-27 | . PLACARD-CIRCUIT BREAKER PANEL REFER TO NOTE 1 | 0146 0381 B0214 B0874 | 01 |
| 458 | 2613339-15 | . PLACARD-CIRCUIT BREAKER PANEL REFER TO NOTE 1 | 0001 0083 | 01 |
| 459 | 2613339-20 | . PLACARD-CIRCUIT BREAKER PANEL REFER TO NOTE 1 | | 01 |
| 459A | 2613339-41 | . PLACARD-CIRCUIT BREAKER PANEL REFER TO NOTE 2 | 0382 0395 B1088 B1170 | 01 |
| - 459B | 2613339-57 | . PLACARD-CIRCUIT BREAKER PANEL REFER TO NOTE 1 | 0396 0499 B1171 B1999 | 01 |
| 460 | 2613339-28 | . PLACARD-CIRCUIT BREAKER PANEL CAT II AIRPLANES REFER TO NOTE 1 | B0044 B0179 | 01 |
| 461 | 2613339-11 | . PLACARD-CIRCUIT BREAKER PANEL REFER TO NOTE 1 | 0007 0083 | 01 |
| - 462 | 2613339-11 | . PLACARD-CIRCUIT BREAKER PANEL CAT II AIRPLANES REFER TO NOTE 1 | B0044 B0179 | 01 |

NOTE 1—CIRCUIT BREAKER PANEL PLACARDS ARE LISTED SEQUENTIALLY DOWN THE PAGE AS THEY APPEAR ON THE AIRCRAFT CIRCUIT BREAKER PANEL, FROM THE TOP DOWN.

NOTE 2—AIRPLANES -0382 THRU -0395 AND -B1088 THRU -B1999, AND -0001 THRU -0380 AND -B0001 THRU -B1085 INCORPORATING SK208-146

CESSNA®
MODEL 208
 ILLUSTRATED PARTS CATALOG

A25103



| | | | | | | |
|-----------|-----------------|------------|-----------|-------------------|-------------|---------|
| BUS 2 PWR | RIGHT LDG LIGHT | TAXI LIGHT | NAV LIGHT | RADIO FLOOD LIGHT | RH ATT GYRO | ENC ALT |
|-----------|-----------------|------------|-----------|-------------------|-------------|---------|

2813339-19

**525
 DETAIL A**

| | | | | | | | | | |
|-------|-------|--------|--------|----------------------|-------|------------|----------|----------|----------|
| COM 1 | NAV 1 | XPDR 1 | GLSP 1 | AVIONICS BUS 1 ADF 1 | HSI 1 | GYRO SLAVE | AUDI MKR | A/P ACTR | A/P CONT |
|-------|-------|--------|--------|----------------------|-------|------------|----------|----------|----------|

2813339-8

**527
 DETAIL A**

| | | | | | | | | | |
|-------|-------|--------|-------|----------------------|-------|----------------|----------|-------|----------|
| COM 1 | NAV 1 | XPDR 1 | GPS 1 | AVIONICS BUS 1 ADF 1 | HSI 1 | ELT/ NAV INTRF | AUDI MKR | SERVO | A/P COMP |
|-------|-------|--------|-------|----------------------|-------|----------------|----------|-------|----------|

2813339-47

**529
 DETAIL A**

| | | | | | | | | | |
|-------|-------|--------|-------|----------------------|----------|----------------|----------|-------|----------|
| COM 1 | NAV 1 | XPDR 1 | GPS 1 | AVIONICS BUS 1 ADF 1 | HSI/DG 1 | ELT/ NAV INTRF | AUDI MKR | SERVO | A/P COMP |
|-------|-------|--------|-------|----------------------|----------|----------------|----------|-------|----------|

**529A
 DETAIL A**

| | | | | | | | | | |
|-------|-------|--------|--------|----------------------|-----|------|-----------|---------|-----------|
| COM 2 | NAV 2 | XPDR 2 | GLSP 2 | AVIONICS BUS 2 ADF 2 | DME | RNAV | RADIO ALT | AVN FAN | AUDIO AMP |
|-------|-------|--------|--------|----------------------|-----|------|-----------|---------|-----------|

2813339-9

**530
 DETAIL A**

| | | | | | | | | | |
|-------|-------|--------|-------|----------------------|-----|-----------|-----------|---------|-----------|
| COM 2 | NAV 2 | XPDR 2 | GPS 2 | AVIONICS BUS 2 ADF 2 | DME | SKY WATCH | RADIO ALT | AVN FAN | AUDIO AMP |
|-------|-------|--------|-------|----------------------|-----|-----------|-----------|---------|-----------|

2813339-48

**532
 DETAIL A**

| | | | | | | | | | |
|---------------|---------|-------|--------|-----------------------|---------|------------|-----------|-------|--------|
| FUEL SEL WARN | STM SCP | LORAN | HF XMT | AVIONICS BUS 2 HF XMT | HF RCVR | RADAR CONT | RADAR R-T | HSI 2 | STEREO |
|---------------|---------|-------|--------|-----------------------|---------|------------|-----------|-------|--------|

2813339-21

**533
 DETAIL A**

| | | | | | | | | |
|---------------|--------------|--------|--------|------------------------|-----|-----------|------|---------|
| FUEL SEL WARN | WX DATA LINK | HF XMT | HF XMT | AVIONICS BUS 2 HF RCVR | MFD | RADAR R-T | TAWS | STM SCP |
|---------------|--------------|--------|--------|------------------------|-----|-----------|------|---------|

2813339-49

**535
 DETAIL A**

| | | | | | | | |
|-----------|--------|----------|----------------------|-----|----------|--------|-----------|
| COM/NAV 1 | XPDR 1 | WX RADAR | AVIONICS BUS 1 ADF 1 | RMI | AUDI MKR | A/P FD | ELEV TRIM |
|-----------|--------|----------|----------------------|-----|----------|--------|-----------|

2813339-12

**536
 DETAIL A**

| | | | | | | | | |
|-----------|--------|----------|----------------------|----|-----|----------|--------|-----------|
| COM/NAV 1 | XPDR 1 | WX RADAR | AVIONICS BUS 1 ADF 1 | DG | RMI | AUDI MKR | A/P FD | ELEV TRIM |
|-----------|--------|----------|----------------------|----|-----|----------|--------|-----------|

2813339-18

**538
 DETAIL A**

| | | | | | | | |
|-----------|--------|----------------------|-----|------|-----------|---------|-----------|
| COM/NAV 2 | XPDR 2 | AVIONICS BUS 2 ADF 2 | DME | RNAV | RADIO ALT | AVN FAN | AUDIO AMP |
|-----------|--------|----------------------|-----|------|-----------|---------|-----------|

2813339-13

**540
 DETAIL A**

| | | | | | | | | | |
|-----------|----------------|--------------|--------------|-----------|------------|--------------------|-------------|---------------|--------------------|
| BUS 1 PWR | LEFT LDG LIGHT | STROBE LIGHT | BEACON LIGHT | MAP LIGHT | INST LIGHT | WING ICE DET LIGHT | LH DIR GYRO | PROP ANTI-ICE | PROP ANTI-ICE CONT |
|-----------|----------------|--------------|--------------|-----------|------------|--------------------|-------------|---------------|--------------------|

**541
 DETAIL A**

| | | | | | | | | | |
|-----------|----------------|--------------|--------------|-----------|------------|--------------------|----------------|---------------|--------------------|
| BUS 1 PWR | LEFT LDG LIGHT | STROBE LIGHT | BEACON LIGHT | MAP LIGHT | INST LIGHT | WING ICE DET LIGHT | SEAT BELT SIGN | PROP ANTI-ICE | PROP ANTI-ICE CONT |
|-----------|----------------|--------------|--------------|-----------|------------|--------------------|----------------|---------------|--------------------|

2813339-41

**542
 DETAIL A**

| | | | | | | | | | |
|-----------|----------------|--------------|--------------|-----------|------------|--------------------|---------------|---------------|--------------------|
| BUS 1 PWR | LEFT LDG LIGHT | STROBE LIGHT | BEACON LIGHT | MAP LIGHT | INST LIGHT | WING ICE DET LIGHT | AUX 12VDC PWR | PROP ANTI-ICE | PROP ANTI-ICE CONT |
|-----------|----------------|--------------|--------------|-----------|------------|--------------------|---------------|---------------|--------------------|

**543
 DETAIL A**

6310T1001
 A6319T1009

U.S. INTERIOR PLACARDS AND MARKINGS - FLIGHT COMPARTMENT
 FIGURE 01 (SHEET 8)

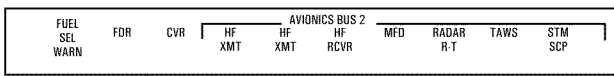
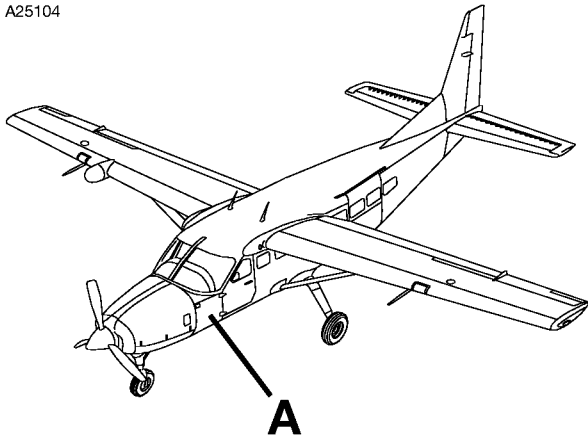
CESSNA®
MODEL 208
ILLUSTRATED PARTS CATALOG

| FIG ITEM | PART NUMBER | NOMENCLATURE | UNITS PER ASSY | | |
|-------------|-------------|---|----------------------|-------|----|
| | | | 1 | 2 | 3 |
| 01 | | | | | |
| 525 | 2613339-19 | . PLACARD-CIRCUIT BREAKER PANEL REFER TO NOTE 1 | 0084 | 0349 | 01 |
| | | | B0001 | & ON | |
| - 526 | 2613339-36 | . PLACARD-CIRCUIT BREAKER PANEL REFER TO NOTE 1 | 0350 | 0499 | 01 |
| 527 | 2613339-8 | . PLACARD-CIRCUIT BREAKER PANEL REFER TO NOTE 1 | 0001 | 0331 | 01 |
| | | | B0214 | B0874 | |
| - 528 | 2613339-37 | . PLACARD-CIRCUIT BREAKER PANEL REFER TO NOTE 1 | 0332 | 0349 | 01 |
| | | | B0875 | B0914 | |
| 529 | 2613339-47 | . PLACARD-CIRCUIT BREAKER PANEL REFER TO NOTE 1 | 0350 | 0395 | 01 |
| | | | B0915 | B1170 | |
| 529A | 2613339-58 | . PLACARD-CIRCUIT BREAKER PANEL REFER TO NOTE 1 | 0396 | 0499 | 01 |
| | | | B1171 | B1999 | |
| 530 | 2613339-9 | . PLACARD-CIRCUIT BREAKER PANEL REFER TO NOTE 1 | 0001 | 0348 | 01 |
| | | | B0214 | B0913 | |
| - 531 | 2613339-46 | . PLACARD-CIRCUIT BREAKER PANEL REFER TO NOTE 1 | 0349 | 0349 | 01 |
| | | | B0914 | B0914 | |
| 532 | 2613339-48 | . PLACARD-CIRCUIT BREAKER PANEL REFER TO NOTE 1 | 0350 | 0499 | 01 |
| | | | B0915 | B1999 | |
| 533 | 2613339-21 | . PLACARD-CIRCUIT BREAKER PANEL REFER TO NOTE 1 | 0001 | 0235 | 01 |
| | | | B0214 | B0371 | |
| - 534 | 2613339-33 | . PLACARD-CIRCUIT BREAKER PANEL REFER TO NOTE 1 | 0236 | 0349 | 01 |
| | | | B0372 | B0914 | |
| 535 | 2613339-49 | . PLACARD-CIRCUIT BREAKER PANEL REFER TO NOTE 1 | 0350 | 0414 | 01 |
| | | | B0915 | B1254 | |
| - 535A | 2613339-59 | . PLACARD-CIRCUIT BREAKER PANEL REFER TO NOTE 1 | 0415 | 0499 | 01 |
| | | | B1255 | B1999 | |
| 536 | 2613339-12 | . PLACARD-CIRCUIT BREAKER PANEL REFER TO NOTE 1 | 0001 | 0083 | 01 |
| - 537 | 2613339-12 | . PLACARD-CIRCUIT BREAKER PANEL CAT II AIRPLANES REFER TO NOTE 1 | B0044 | B0179 | 01 |
| 538 | 2613339-18 | . PLACARD-CIRCUIT BREAKER PANEL REFER TO NOTE 1 | 0084 | 0348 | 01 |
| | | | B0001 | B0418 | |
| - 539 | 2613339-35 | . PLACARD-CIRCUIT BREAKER PANEL REFER TO NOTE 1 | B0419 | B1170 | 01 |
| 540 | 2613339-13 | . PLACARD-CIRCUIT BREAKER PANEL REFER TO NOTE 1 | 0001 | 0348 | 01 |
| | | | B0001 | B0418 | |
| 541 | 2613339-40 | . PLACARD-CIRCUIT BREAKER PANEL REFER TO NOTE 1 | 0382 | 0395 | 01 |
| | | | B1088 | B1170 | |
| 542 | 2613339-41 | . PLACARD-CIRCUIT BREAKER PANEL REFER TO NOTE 1 | 0382 | 0395 | 01 |
| | | | B1088 | B1170 | |
| 543 | 2613339-57 | . PLACARD-CIRCUIT BREAKER PANEL REFER TO NOTE 1 | 0396 | 0499 | 01 |
| | | | B1171 | B1999 | |

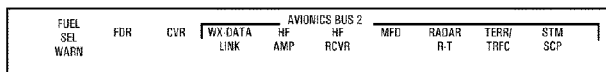
NOTE 1—CIRCUIT BREAKER PANEL PLACARDS ARE LISTED SEQUENTIALLY DOWN THE PAGE AS THEY APPEAR ON THE AIRCRAFT CIRCUIT BREAKER PANEL, FROM THE TOP DOWN.

CESSNA®
MODEL 208
 ILLUSTRATED PARTS CATALOG

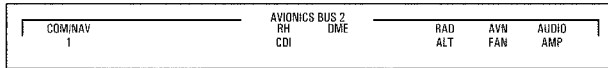
A25104



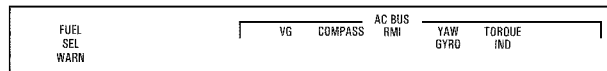
607
DETAIL A



608
DETAIL A



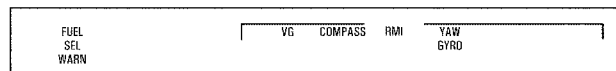
601
DETAIL A



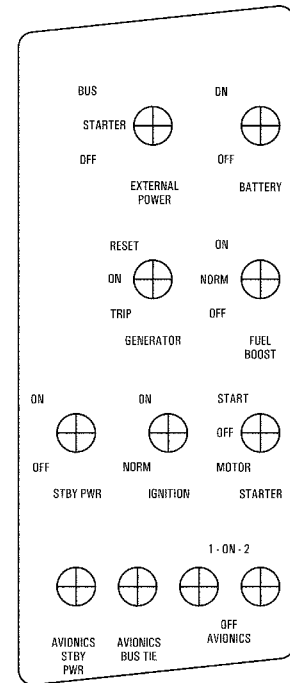
602
DETAIL A



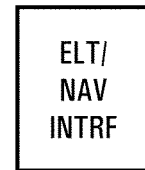
603
DETAIL A



605
DETAIL A



600
DETAIL A



606
DETAIL A

U.S. INTERIOR PLACARDS AND MARKINGS - FLIGHT COMPARTMENT
 FIGURE 01 (SHEET 9)

2610T7005

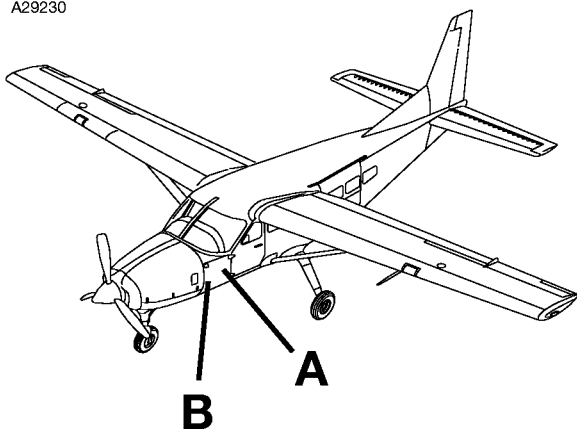
CESSNA®
MODEL 208
 ILLUSTRATED PARTS CATALOG

| FIG ITEM | PART NUMBER | NOMENCLATURE | UNITS PER ASSY | | |
|-------------|-------------|--|----------------------|-------|----|
| | | | 1 | 2 | 3 |
| 01 | | | | | |
| 600 | 2613339-1 | . PLACARD-CIRCUIT BREAKER PANEL | | | 01 |
| 601 | 2613339-25 | . PLACARD-CIRCUIT BREAKER PANEL CAT II AIRPLANES | B0044 | B0179 | 01 |
| 602 | 2613339-22 | . PLACARD-CIRCUIT BREAKER PANEL | 0001 | 0083 | 01 |
| 603 | 2613339-23 | . PLACARD-CIRCUIT BREAKER PANEL | 0084 | 0199 | 01 |
| | | | B0001 | B0418 | |
| - 604 | 2613339-33 | . PLACARD-CIRCUIT BREAKER PANEL | B0419 | B1170 | 01 |
| 605 | 2613339-24 | . PLACARD-CIRCUIT BREAKER PANEL CAT II AIRPLANES | B0044 | B0179 | 01 |
| 606 | 2613339-56 | . PLACARD-CIRCUIT BREAKER PANEL | 0382 | & ON | 01 |
| | | | B1088 | & ON | |
| 607 | 2613339-51 | . PLACARD-CIRCUIT BREAKER PANEL WITH FDR/CVR | 0403 | 0414 | 01 |
| | | | B1052 | B1254 | |
| 608 | 2613339-60 | . PLACARD-CIRCUIT BREAKER PANEL WITH FDR/CVR | 0416 | & ON | 01 |
| | | | B1255 | & ON | |

- ITEM NOT ILLUSTRATED

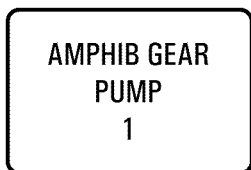
CESSNA®
MODEL 208
 ILLUSTRATED PARTS CATALOG

A29230

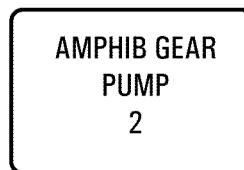


| | | | | | | | | | | |
|---|-----------------|----------------------|-----------------|-----------------|--------------|----------------|--------------------------|----------------------|---------------|---|
| ┌ | BUS 1 PWR | LEFT LDG LIGHT | STROBE LIGHT | BEACON LIGHT | MAP LIGHT | INSTL LIGHT | WING ICE DET LIGHT | SELT BELT SIGN | CARGO DOOR | └ |
|---|-----------------|----------------------|-----------------|-----------------|--------------|----------------|--------------------------|----------------------|---------------|---|

675
DETAIL A



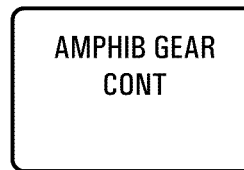
677
DETAIL B



678
DETAIL B



679
DETAIL B



676
DETAIL B

2610T7002

U.S. INTERIOR PLACARDS AND MARKINGS - FLIGHT COMPARTMENT
 FIGURE 01 (SHEET 10)

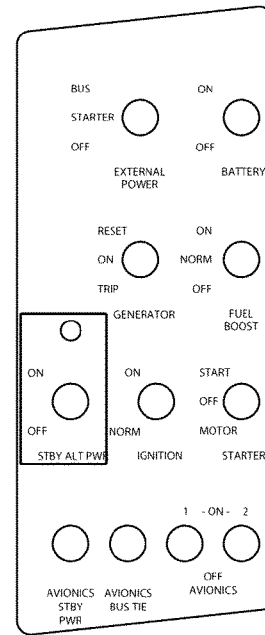
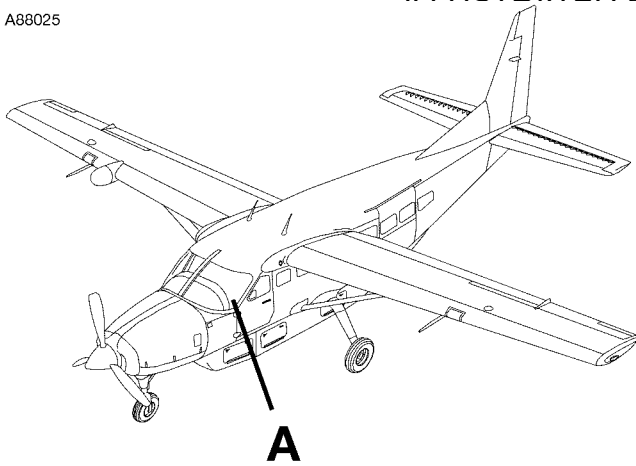
CESSNA®
MODEL 208
 ILLUSTRATED PARTS CATALOG

| FIG ITEM | PART NUMBER | NOMENCLATURE | UNITS PER ASSY | | |
|-------------|-------------|---|----------------------|-------|----|
| | | | 1 | 2 | 3 |
| 01 | | | | | |
| 675 | 2605044-1 | . PLACARD-CIRCUIT BREAKER PANEL | | | 01 |
| - 675A | 2605044-2 | . PLACARD-CIRCUIT BREAKER PANEL | B1194 | B1199 | 01 |
| 676 | 2613339-43 | . PLACARD-CIRCUIT BREAKER PANEL REFER TO NOTE 1 | 0382 | & ON | 01 |
| 677 | 2613339-44 | . PLACARD-CIRCUIT BREAKER PANEL REFER TO NOTE 1 | 0382 | & ON | 01 |
| 678 | 2613339-54 | . PLACARD-CIRCUIT BREAKER PANEL REFER TO NOTE 1 | 0382 | & ON | 01 |
| 679 | 2613339-55 | . PLACARD-CIRCUIT BREAKER PANEL REFER TO NOTE 1 | 0382 | & ON | 01 |
| - 680 | 2613339-39 | . PLACARD-CIRCUIT BREAKER PANEL REFER TO NOTE 1 | 0382 | 0499 | 01 |
| | | | B1088 | B1999 | |

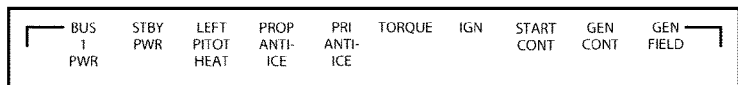
NOTE 1—AIRPLANES -0381 AND ON -B1086 AND ON AND -0001 THRU -0380 AND -B0001 THRU -B1085 INCORPORATING SK208-146

**CESSNA®
MODEL 208
ILLUSTRATED PARTS CATALOG**

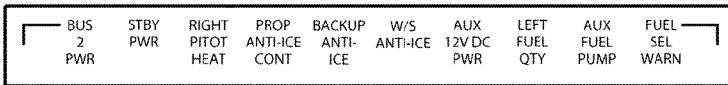
A88025



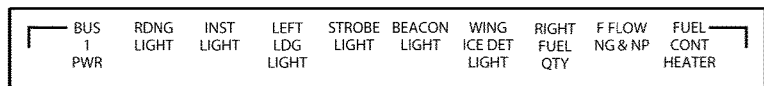
**750
DETAIL A**



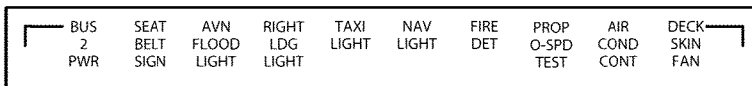
**751
DETAIL A**



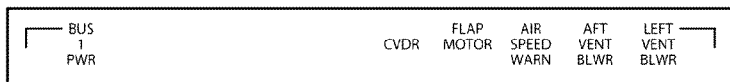
**752
DETAIL A**



**753
DETAIL A**



**754
DETAIL A**



**755
DETAIL A**



**756
DETAIL A**

2610T7004

U.S. INTERIOR PLACARDS AND MARKINGS - FLIGHT COMPARTMENT
FIGURE 01 (SHEET 11)

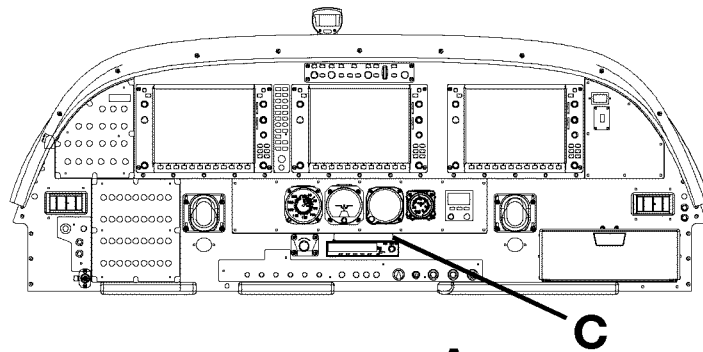
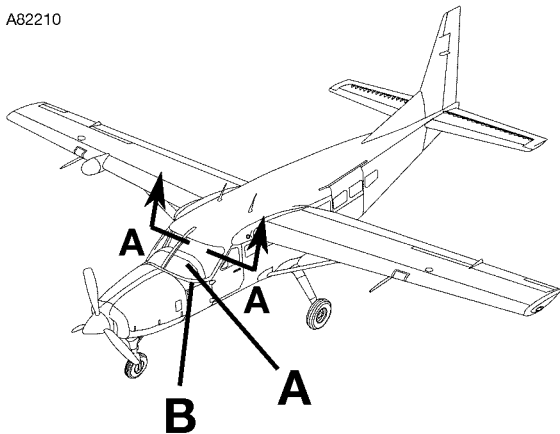
CESSNA®
MODEL 208
 ILLUSTRATED PARTS CATALOG

| FIG ITEM | PART NUMBER | NOMENCLATURE | UNITS PER ASSY | |
|-------------|-------------|--|----------------------|---------|
| | | | 1 2 3 4 5 6 7 | |
| 01 | | | | |
| 750 | 2605074-1 | . PLACARD-CIRCUIT BREAKER SWITCH PANEL REFER TO NOTE 1 | 0500 | & ON 01 |
| | | | B2000 | B4999 |
| 751 | 2605074-8 | . PLACARD-CIRCUIT BREAKER PANEL REFER TO NOTE 1 | 0500 | & ON 01 |
| | | | B2000 | B4999 |
| 752 | 2605074-14 | . PLACARD-CIRCUIT BREAKER PANEL REFER TO NOTE 1 | 0500 | & ON 01 |
| | | | B2000 | B4999 |
| 753 | 2605074-10 | . PLACARD-CIRCUIT BREAKER PANEL REFER TO NOTE 1 | 0500 | & ON 01 |
| | | | B2000 | B4999 |
| 754 | 2605074-11 | . PLACARD-CIRCUIT BREAKER PANEL REFER TO NOTE 1 | 0500 | & ON 01 |
| | | | B2000 | B4999 |
| 755 | 2605074-15 | . PLACARD-CIRCUIT BREAKER PANEL REFER TO NOTE 1 | 0524 | & ON 01 |
| | | | B2226 | B4999 |
| - 755A | 2605074-12 | . PLACARD-CIRCUIT BREAKER PANEL FSO 2605074-15 REFER TO NOTE 1 . | 0500 | 0523 NP |
| | | | B2000 | B2225 |
| 756 | 2605074-13 | . PLACARD-CIRCUIT BREAKER PANEL REFER TO NOTE 1 | 0500 | & ON 01 |
| | | | B2000 | B4999 |

NOTE 1—CIRCUIT BREAKER PANEL PLACARDS ARE LISTED SEQUENTIALLY DOWN THE PAGE AS THEY APPEAR ON THE AIRCRAFT CIRCUIT BREAKER PANEL, FROM THE TOP DOWN

CESSNA®
MODEL 208
 ILLUSTRATED PARTS CATALOG

A82210



DETAIL A
 AIRPLANES 208B5000 AND ON

The markings and placards installed in this airplane contain operating limitations which must be complied with when operating this airplane in the Normal Category. Other operating limitations which must be complied with when operating this airplane in this category are contained in the Pilot's Operating Handbook and FAA Approved Airplane Flight Manual.

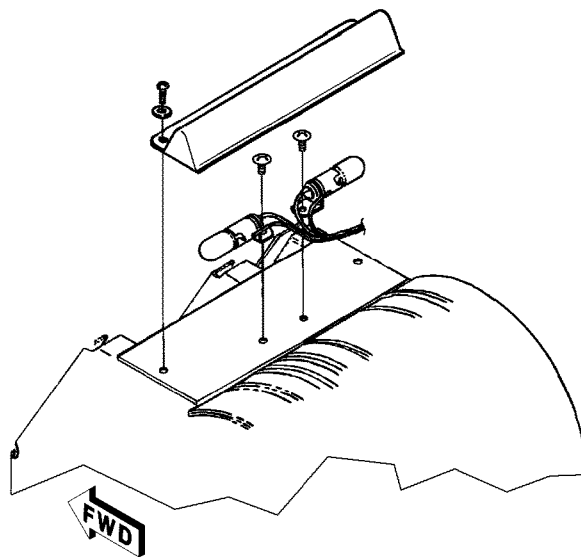
No acrobatic maneuvers, including spins, approved.

This airplane is approved for flights into icing conditions if the proper optional equipment is installed and operational. See POH for weight and altitude restrictions relating to ice.

This airplane is certified for the following flight operations as of date of original airworthiness certificate:
 DAY · NIGHT · VFR · IFR

2105015-7

1
DETAIL D

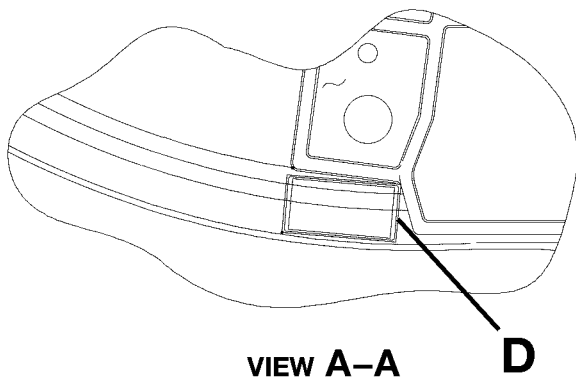


DETAIL B
 AIRPLANES 2080001 AND ON
 AIRPLANES 208B0001 THRU B4999

DO NOT TAKEOFF WITH ICE/FROST/SNOW ON THE AIRCRAFT.

2605070-9

2
DETAIL C



VIEW A-A

U.S. INTERIOR PLACARDS AND MARKINGS - TKS
 FIGURE 02 (SHEET 1)

2610T7005
 B2618R1031
 AA2614T1458

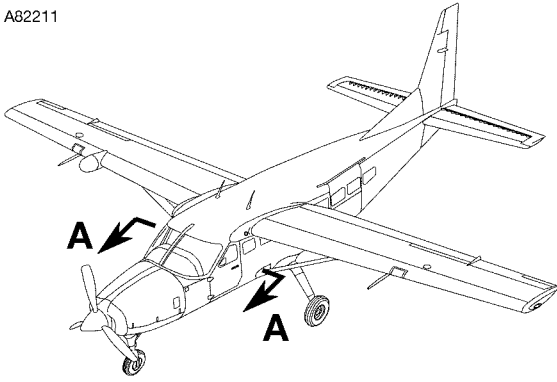
CESSNA®
MODEL 208
 ILLUSTRATED PARTS CATALOG

| FIG ITEM | PART NUMBER | NOMENCLATURE | UNITS PER ASSY | |
|-------------|-------------|---|----------------------|------|
| | | | 1 2 3 4 5 6 7 | |
| 02 | | U.S. INTERIOR PLACARDS AND MARKINGS - TKS REFER TO NOTE 1 | | RF |
| - | | . PLACARD-OPERATION LIMITS | 0500 | & ON |
| 1 | 2105015-7 | | B2000 | & ON |
| 2 | 2605070-9 | . PLACARD-ICE/FROST/SNOW ON AIRCRAFT | | 01 |

NOTE 1—THIS FIGURE CONTAINS PRODUCTION PARTS AND ASSEMBLIES INSTALLED WITH THE TKS AND/OR LOW AIRSPEED AWARENESS (LAA) SYSTEMS. TO ORDER PARTS FOR SERIAL SPECIFIC CONFIGURATIONS/INSTALLATIONS MODIFIED BY SK208-174, SK208-175, SK208-179, SK208-180, CAB09-9, AND CAB08-7, PLEASE REFER TO THE LATEST APPLICABLE REVISION OF THE SPECIFIC CARAVAN BULLETIN (CAB) AND/OR SERVICE KIT (SK) FOR DETAILED INFORMATION.

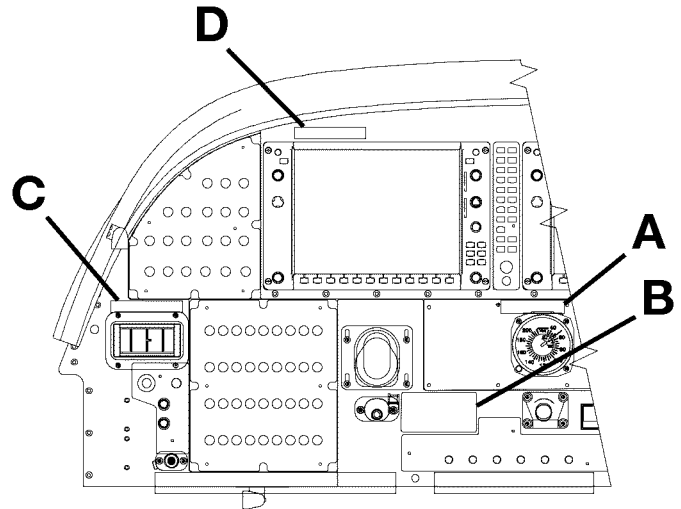
CESSNA®
MODEL 208
 ILLUSTRATED PARTS CATALOG

A82211



**FLIGHT INTO KNOWN OR FORECAST
 ICING CONDITIONS IS PROHIBITED**
 2605076-10

**78
 DETAIL D**



VIEW A-A

**120 KIAS MINIMUM IN ICING FLAPS UP EXCEPT 110 KIAS
 IF CLIMBING TO EXIT ICING**
 2605070-5

**75
 DETAIL A**

**WINDSHIELD ANTI-ICE MUST BE
 OFF FOR TAKEOFF AND LANDING**

**77
 DETAIL C**

**CONTINUED FLIGHT IN ICING CONDITIONS IS
 PROHIBITED AFTER ENCOUNTERING ONE OR
 MORE OF THE FOLLOWING:**

- AIRSPEED IN LEVEL FLIGHT AT CONSTANT POWER DECREASES BY 10 KIAS USING MAXIMUM CRUISE POWER.
- MEA OR MOCA IF APPLICABLE ON CURRENT LEG FALLS INTO AREA "C" OF ICING SERVICE CEILING CHART CONTAINED IN THE POH/AFM TKS ICE PROTECTION SYSTEM SUPPLEMENT.

2605084-3

**76A
 DETAIL B**

2610T7005
 AA2614T1459

U.S. INTERIOR PLACARDS AND MARKINGS - TKS
 FIGURE 02 (SHEET 2)

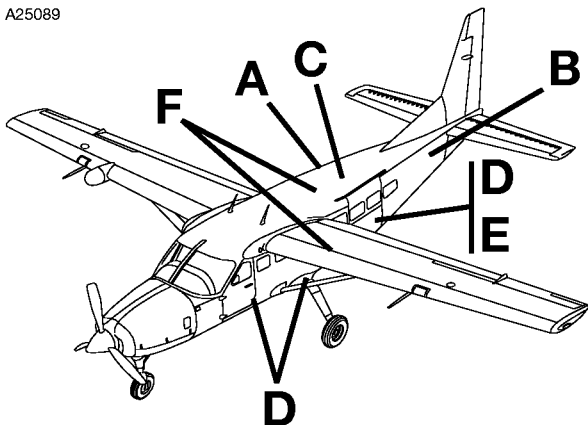
CESSNA®
MODEL 208
 ILLUSTRATED PARTS CATALOG

| FIG ITEM | PART NUMBER | NOMENCLATURE | UNITS PER ASSY | | |
|-------------|-------------|--|----------------------|-------|----|
| | | | 1 | 2 | 3 |
| 02 | | | | | |
| 75 | 2605070-5 | . PLACARD-TKS OPERATION LIMITS | 0001 | 0499 | 01 |
| | | | B0001 | B1999 | |
| - 76 | 2605070-10 | . PLACARD-ICING CONDITIONS IN FLIGHT FSO 2605084-3 REFER TO NOTE 1 | | | NP |
| 76A | 2605084-3 | . PLACARD-ICE WARNING REFER TO NOTE 2 | 0569 | & ON | 01 |
| | | | B5179 | & ON | |
| 77 | 7000-26 | . PLACARD-WINDSHIELD ANTI-ICE OFF VASTL | 0416 | & ON | 01 |
| | | | B2000 | & ON | |
| 78 | 2605076-10 | . PLACARD-TKS KNOWN ICING PARTIAL TKS ONLY | B2068 | & ON | 01 |
| | | NOTE 1—AIRPLANES -0416 THRU -0568 AND -B0001 THRU -B5178 NOT INCORPORATING CAB-30-07. | | | R |
| | | NOTE 2—AIRPLANES -0569 AND ON AND -B5179 AND ON AND AIRPLANES -0416 THRU -0568 AND -B0001 THRU -B5178 INCORPORATING CAB-30-07. | | | R |

- ITEM NOT ILLUSTRATED

CESSNA®
MODEL 208
 ILLUSTRATED PARTS CATALOG

A25089



MAX BAGGAGE 325 LBS. REFER TO WEIGHT AND BALANCE DATA FOR BAGGAGE/CARGO LOADING. 1205045-5

**1
 DETAIL A**

PUSH TO ACCESS E.L.T. SWITCH

ON
 OFF
 AUTO

2605019-3

**2
 DETAIL B**

| | | | |
|---------------------------|--|-------|--|
| ⊕ AIRCRAFT MOD. | | ⊕ | |
| MFR. CODE | | | |
| PART NO. | | | |
| CONT. NO. | | | |
| SERIAL NO. | | | |
| CONT. | | CUST. | |
| INSP. | | INSP. | |
| MODIFICATION INCORPORATED | | | |

**8
 DETAIL F**

EMERGENCY LOCATOR TRANSMITTER INSTALLED AFT OF THIS PARTITION. MUST BE SERVICED IN ACCORDANCE WITH FAR PART 91.52 1205085-1

**3
 DETAIL C**

WARNING 2805048-2
 KEEP CLEAR DURING DOOR OPERATION

**7
 DETAIL E**

EMERGENCY LOCATOR TRANSMITTER INSTALLED AFT OF THIS PARTITION. MUST BE SERVICED IN ACCORDANCE WITH FAR PART 91.207 1205085-3

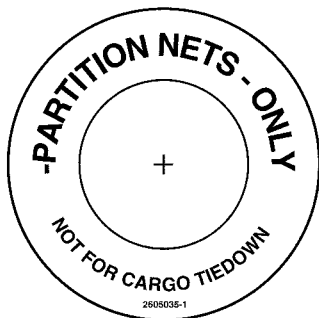
**4
 DETAIL C**

PARTITION NETS ONLY

NOT FOR CARGO TIEDOWN

2605056-1

**6
 DETAIL D**



**5
 DETAIL D**

EMERGENCY LOCATOR TRANSMITTER INSTALLED AFT OF THIS PARTITION. MUST BE SERVICED IN ACCORDANCE WITH 14 CFR 91.207 1205085-10

**4A
 DETAIL C**

2610T7005

U.S. INTERIOR PLACARDS AND MARKINGS - CABIN
 FIGURE 01 (SHEET 1)

CESSNA®
MODEL 208
 ILLUSTRATED PARTS CATALOG

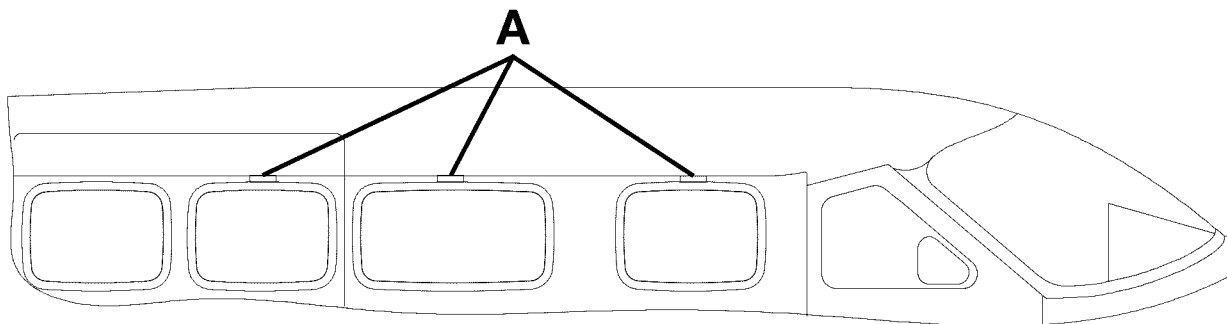
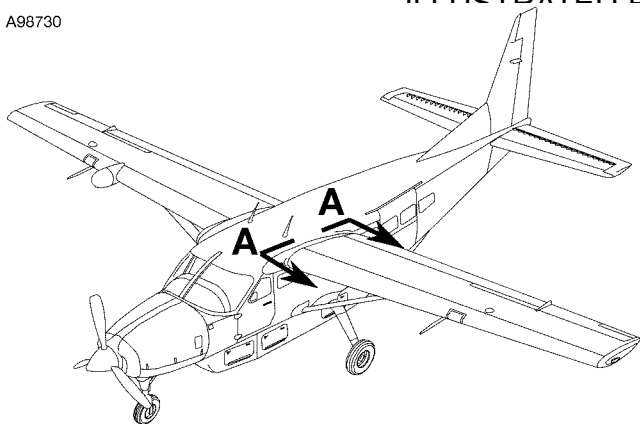
| FIG ITEM | PART NUMBER | NOMENCLATURE | UNITS PER ASSY | |
|-------------|-------------|--|----------------------|------|
| | | | 1 2 3 4 5 6 7 | |
| 01 | | U.S. INTERIOR PLACARDS AND MARKINGS - CABIN | | RF |
| - | | . PLACARD-BAGGAGE COMPARTMENT | | 01 |
| 1 | 1205045-5 | . PLACARD-ELT SWITCH OPERATION | | 01 |
| 2 | 2605019-3 | . PLACARD-ELT FSO 1205085-10 | 0001 0236 | NP |
| 3 | 1205085-1 | . PLACARD-ELT | B0001 B0379 | |
| 4 | 1205085-3 | . PLACARD-ELT FSO 1205085-10 | 0237 0402 | NP |
| 4A | 1205085-10 | . PLACARD-ELT | B0380 B1231 | |
| 5 | 2605035-1 | . PLACARD-PARTITION NET REFER TO NOTE 1 | 0403 & ON | 01 |
| 6 | 2605056-1 | . PLACARD-PARTITION NET REFER TO NOTE 2 | B1232 & ON | |
| 7 | 2605048-2 | . PLACARD-WARNING CARGO DOOR | 0123 & ON | 25 |
| 8 | MS27253-1 | . PLATE IDENTIFICATION-USED ON FUSELAGE ASSY & LH/RH WING ASSYS FSO S2674-3 | B0040 & ON | |
| - 8A | S2674-3 | . PLACARD ID PLATE-USED ON FUSELAGE ASSY & LH/RH WING ASSYS . . | 0007 0112 | AR |
| | | | 0394 & ON | 01 |
| | | | B1140 & ON | NP R |
| | | | 0394 & ON | 03 R |
| | | | B1140 & ON | |

NOTE 1—AIRPLANES -0001 THRU -0122 AND B0001 THRU B0039 INCORPORATING SK208-46.

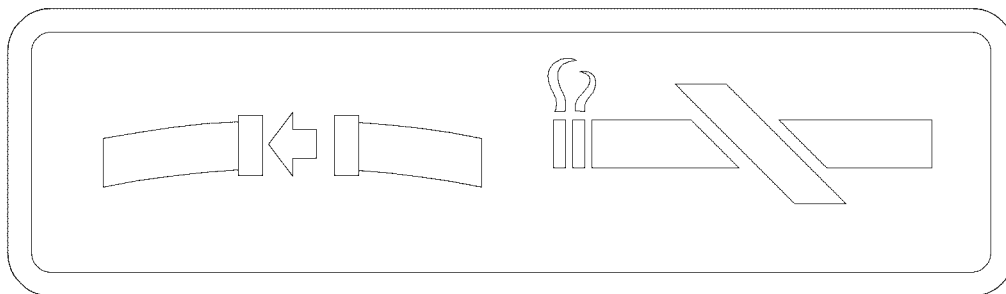
NOTE 2—CONVERTED FROM 208A

CESSNA®
MODEL 208
ILLUSTRATED PARTS CATALOG

A98730



VIEW A-A
LEFT SIDE SHOWN,
RIGHT SIDE OPPOSITE



75
DETAIL A

U.S. INTERIOR PLACARDS AND MARKINGS - CABIN
FIGURE 01 (SHEET 2)

2610T7004
2605082

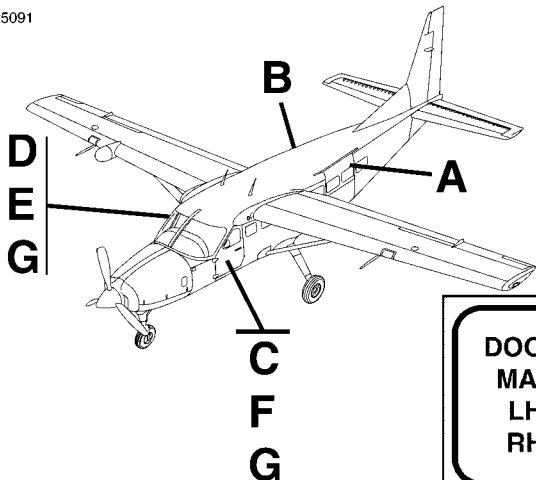
CESSNA®
MODEL 208
 ILLUSTRATED PARTS CATALOG

| FIG ITEM | PART NUMBER | 1 2 3 4 5 6 7 | NOMENCLATURE | UNITS PER ASSY | | |
|-------------|-------------|---------------|---|----------------------|--------------|----|
| | | | | | | |
| 01 | | | | | | |
| 75 | S4438-1 | | . PLACARD-FASTEN SEAT BELT/NO SMOKING | 0570 B5194 | & ON & ON | 06 |

- ITEM NOT ILLUSTRATED

CESSNA®
MODEL 208
 ILLUSTRATED PARTS CATALOG

A25091



DOOR POCKET
MAX WEIGHT
 LH - 10 LBS
 RH - 15 LBS
2605069-1

9
DETAIL G

DOOR OPERATION:
 TO OPEN
 PULL HANDLE
 INBD & ROTATE
 TO CLOSE
 ROTATE HANDLE
 & STOW
2605013-1

1
DETAIL A

DOOR OPERATION:
 TO OPEN
 PULL HANDLE
 INBD & ROTATE
 TO CLOSE
 ROTATE HANDLE
 & STOW
2605013-2

2
DETAIL B

LOCK OVERRIDE:
 TO UNLOCK
 PULL & ROTATE
 KNOB
 TO LOCK
 PULL & ROTATE
 KNOB
2605016-2

7
DETAIL F

LOCK OVERRIDE:
 TO UNLOCK
 PULL & ROTATE
 KNOB
 TO LOCK
 PULL & ROTATE
 KNOB
2605016-2

8
DETAIL F

DOOR OPERATION:
 OPEN
 CLOSE
 LATCHED
2605013-3

3
DETAIL C

LOCK OPERATION:
 LOCK
 UNLOCK
2605014-1

6
DETAIL E

LOCK OPERATION:
 LOCK
 UNLOCK
2605014-1

5
DETAIL E

DOOR OPERATION:
 OPEN
 CLOSE
 LATCHED
2605012-4

5
DETAIL D

U.S. INTERIOR PLACARDS AND MARKINGS - CABIN DOORS
 FIGURE 01 (SHEET 1)

2610T7005

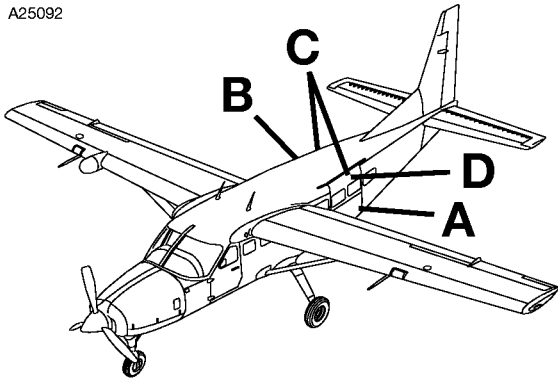
CESSNA®
MODEL 208
 ILLUSTRATED PARTS CATALOG

| FIG ITEM | PART NUMBER | NOMENCLATURE | UNITS | |
|-------------|-------------|---|-------------|------|
| | | | PER | ASSY |
| 01 | | | | |
| - | | U.S. INTERIOR PLACARDS AND MARKINGS - CABIN DOORS | | RF |
| 1 | 2605013-1 | . PLACARD-UPPER CARGO DOOR | | 01 |
| 2 | 2605013-2 | . PLACARD-UPPER PASSENGER DOOR | | 01 |
| 3 | 2605013-3 | . PLACARD-LH CREW DOOR | | 01 |
| - 4 | 2605013-4 | . PLACARD-RH CREW DOOR | | 01 |
| 5 | 2605014-1 | . PLACARD-LOCK OPERATION | 0001 0208 | 01 |
| | | | B0001 B0286 | |
| 6 | 2605014-2 | . PLACARD ASSY-LOCK OPERATION | 0209 0395 | 01 |
| | | | B0287 & ON | |
| 7 | 2605016-2 | . PLACARD-LOCK OVERRIDE | 0001 0208 | 01 |
| | | | B0001 B0286 | |
| 8 | 2605016-3 | . PLACARD ASSY-LOCK OVERRIDE | 0209 0395 | 01 |
| | | | B0287 & ON | |
| 9 | 2605069-1 | . PLACARD-DOOR WEIGHT LH AND RH | | 01 |

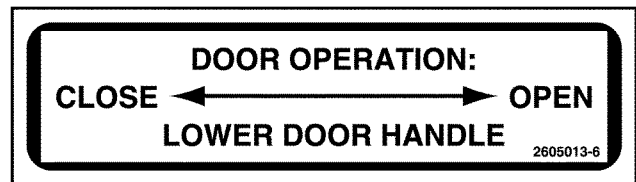
- ITEM NOT ILLUSTRATED

CESSNA®
MODEL 208
 ILLUSTRATED PARTS CATALOG

A25092



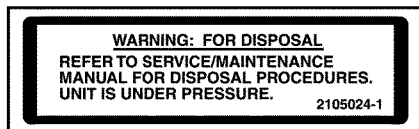
75
 DETAIL A



76
 DETAIL B



80
 DETAIL D



79
 DETAIL C



77
 DETAIL B

2610T7005

U.S. INTERIOR PLACARDS AND MARKINGS - CABIN DOORS
 FIGURE 01 (SHEET 2)

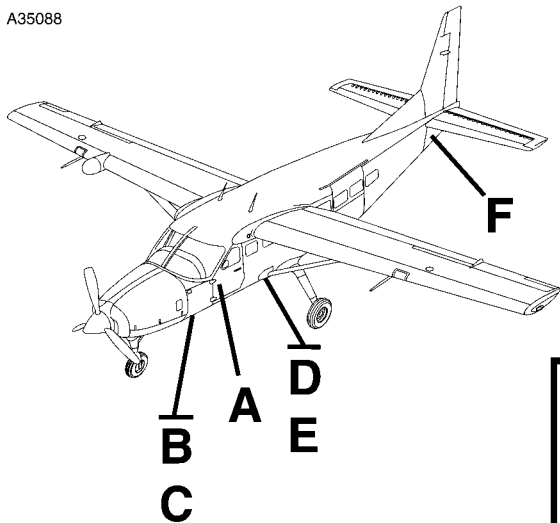
CESSNA®
MODEL 208
 ILLUSTRATED PARTS CATALOG

| FIG ITEM | PART NUMBER | NOMENCLATURE | UNITS PER ASSY | |
|-------------|-------------|--|----------------------|------|
| | | | 1 2 3 4 5 6 7 | |
| 01 | | | | |
| 75 | 2605013-5 | . PLACARD-LWR CARGO DOOR | | 01 |
| 76 | 2605013-6 | . PLACARD-LWR PASSENGER DOOR | | 01 |
| 77 | 2605015-5 | . PLACARD ASSY-LWR PASSENGER DOOR FSO S3814-3. | | NP R |
| - 78 | S3814-3 | . PLACARD-LOWER PASSENGER DOOR FSO S4498-3. | | 02 R |
| - 78A | S4498-3 | . PLACARD-LOWER PASSENGER DOOR SPARES. | | 02 R |
| 79 | 2105024-1 | . PLACARD-GAS SPRING | 0001 0546 | 06 |
| | | | B0001 B4999 | |
| - 79A | 2105024-2 | . PLACARD-GAS SPRING | 0547 & ON | 06 |
| | | | B5000 & ON | |
| 80 | 2605029-2 | . PLACARD-AIRSTAIR DOOR | 0001 & ON | 01 |
| | | | B0001 & ON | |

- ITEM NOT ILLUSTRATED

CESSNA®
MODEL 208
 ILLUSTRATED PARTS CATALOG

A35088



COMPARTIMENTO CENTRAL
PESO MÁXIMO 141 KG
 CARGA MÁXIMA NO PISO
 146 KG/M²
 NÃO PERMITIDO BORDAS CORTANTES

CTR. COMPARTMENT
MAX WEIGHT 310 LBS
 MAX. FLOOR LOADING
 30 LBS PER SQ. FT.
 NO SHARP EDGES

3B

DETAIL E

COMPARTIMENTO CENTRAL
PÊSO MÁXIMO 141 KG
 CARGA MÁXIMA NO PISO
 146 KG PER SQ. METER
 NÃO PERMITIDO BORDAS CORTANTES

CTR. COMPARTMENT
MAX WEIGHT 310 LBS
 MAX. FLOOR LOADING
 30 LBS PER SQ. FT.
 NO SHARP EDGES

3A

DETAIL E

COMPARTIMENTO CENTRAL
CARGA MÁXIMA 140 KG
 CARREGAMENTO MÁXIMO
 146 KG/M²
 EVITE CARGAS COM CANTOS VIVOS

3

DETAIL D

COMPARTIMENTO DIANTEIRO
PESO MÁXIMO 104 KG
 CARGA MÁXIMA NO PISO
 146 KG/M²
 NÃO PERMITIDO BORDAS CORTANTES

FORWARD COMPARTMENT
MAX WEIGHT 230 LBS
 MAX. FLOOR LOADING
 30 LBS PER SQ. FT.
 NO SHARP EDGES

2B

DETAIL C

Aircraft Identification

UNIT NO. SERIAL NO.

TC PC

MODEL

Cessna

Manufactured By
 Cessna Aircraft Company
 Wichita, Kansas

1A

DETAIL F

Aircraft Identification

UNIT NO. SERIAL NO.

TC PC 4

MODEL

Cessna

Manufactured by
 Textron Aviation Inc.
 Wichita, KS USA

1B

DETAIL F

Aircraft Identification

UNIT NO. SERIAL NO.

TC PC 4

MODEL

Cessna

Manufactured by
 Textron Aviation Inc.
 Wichita, KS USA

THIS PRODUCT OR COMPONENTS THEREOF MAY BE COVERED BY ONE OR MORE PATENTS OR PENDING APPLICATIONS. SEE: TXTAV.COM/PATENTS FOR DETAILS.

1C

DETAIL F

COMPARTIMENTO DIANTEIRO
CARGA MÁXIMA 104 KG
 CARREGAMENTO MÁXIMO
 146 KG/M²
 EVITE CARGAS COM CANTOS VIVOS

2

DETAIL B

COMPARTIMENTO DIANTEIRO
PÊSO MÁXIMO 104 KG
 CARGA MÁXIMA NO PISO
 146 KG PER SQ. METER
 NÃO PERMITIDO BORDAS CORTANTES

FORWARD COMPARTMENT
MAX WEIGHT 230 LBS
 MAX. FLOOR LOADING
 30 LBS PER SQ. FT.
 NO SHARP EDGES

2A

DETAIL C

2610T7005

BRAZILIAN EXTERIOR PLACARDS AND MARKINGS - FUSELAGE
 FIGURE 01 (SHEET 1)

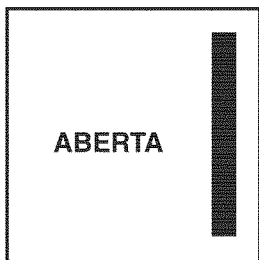
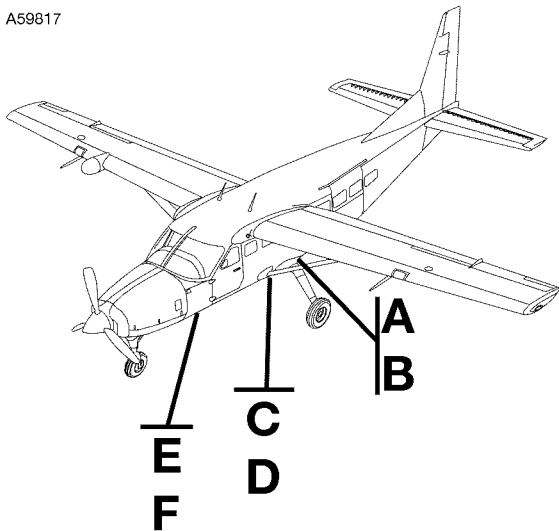
CESSNA®
MODEL 208
ILLUSTRATED PARTS CATALOG

| FIG ITEM | PART NUMBER | NOMENCLATURE | UNITS PER ASSY | | |
|-------------|-------------|--|----------------------|-------|------|
| | | | 1 | 2 | 3 |
| 01 | | BRAZILIAN EXTERIOR PLACARDS AND MARKINGS - FUSELAGE | | | RF |
| - | | . NAMEPLATE-AIRCRAFT IDENTIFICATION REFER TO NOTE 1 | 0001 | 0128 | 01 R |
| 1 | S2222-1 | | B0001 | B0076 | |
| 1A | S2807-1 | . NAMEPLATE-REFER TO NOTE 1 | 0129 | 0572 | 01 R |
| | | | B0077 | B5223 | |
| 1B | S4441-1 | . NAMEPLATE-REFER TO NOTE 1 | 0573 | 0616 | 01 |
| | | | B5224 | B5474 | |
| 1C | S4441-11 | . NAMEPLATE-REFER TO NOTE 1 | 0617 | & ON | 01 |
| | | | B5475 | & ON | |
| 2 | 2605036-18 | . PLACARD ASSY-FWD CARGO COMPARTMENT FSO 2605062-42 | 0175 | 0381 | NP R |
| | | | B0205 | B1087 | |
| 2A | 2605062-1 | . PLACARD-FWD COMPARTMENT FSO 2605062-42 | 0380 | 0403 | NP |
| | | | B1088 | B1192 | |
| 2B | 2605062-42 | . PLACARD-FWD COMPARTMENT | 0404 | & ON | 01 R |
| | | | B1193 | & ON | |
| 3 | 2605036-2 | . PLACARD ASSY-CENTER CARGO COMPARTMENT FSO 2605062-43 | 0001 | 0381 | NP R |
| | | | B0205 | B1087 | |
| 3A | 2605062-2 | . PLACARD-CTR COMPARTMENT FSO 2605062-43 | 0380 | 0403 | NP |
| 3B | 2605062-43 | . PLACARD-CTR COMPARTMENT | 0404 | & ON | 01 |

NOTE 1—WHEN ORDERING PART, OWNER MUST SEND A NOTORIZED DOCUMENT STATING REASON FOR ORDERING A NEW ID PLATE, TYPE CERTIFICATE NUMBER, PRODUCTION CERTIFICATE NUMBER, ID PLATE NUMBER, AND MODEL NUMBER. OLD ID PLATE FROM AIRPLANE SHOULD BE ATTACHED TO THE ORDER, IF AVAILABLE. IF NOT ATTACHED, NEW PLATE WILL BE STAMPED "DUPLICATE".

CESSNA®
MODEL 208
 ILLUSTRATED PARTS CATALOG

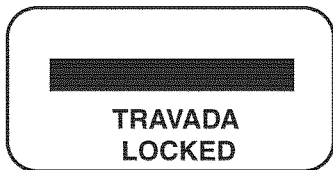
A59817



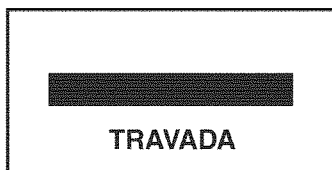
5
DETAIL E



6
DETAIL F



4
DETAIL D



3
DETAIL C

COMPARTIMENTO TRASEIRO
CARGA MÁXIMA 127 KG
 CARREGAMENTO MÁXIMO
 146 KG/M²
 EVITE CARGAS COM CANTOS
 VIVOS

1
DETAIL A

COMPARTIMENTO TRASEIRO
PÊSO MÁXIMO 127 KG
 CARGA MÁXIMA NO PISO
 146 KG PER SQ. METER
 NÃO PERMITIDO BORDAS CORTANTES
 AFT. COMPARTMENT
MAX WEIGHT 280 LBS
 MAX. FLOOR LOADING
 30 LBS PER SQ. FT.
 NO SHARP EDGES

2
DETAIL B

COMPARTIMENTO TRASEIRO
PÊSO MÁXIMO 127 KG
 CARGA MÁXIMA NO PISO
 146 KG/M²
 NÃO PERMITIDO BORDAS CORTANTES
 AFT. COMPARTMENT
MAX WEIGHT 280 LBS
 MAX. FLOOR LOADING
 30 LBS PER SQ. FT.
 NO SHARP EDGES

2A
DETAIL B

COMPARTIMENTO CENTRAL DIANTEIRO
PÊSO MÁXIMO 141 KG
 CARGA MÁXIMA NO PISO
 146 KG PER SQ. METER
 NÃO PERMITIDO BORDAS CORTANTES
 CTR COMPARTMENT FWD
MAX WEIGHT 310 LBS
 MAX. FLOOR LOADING
 30 LBS PER SQ. FT.
 NO SHARP EDGES

7
DETAIL B

COMPARTIMENTO CENTRAL DIANTEIRO
PÊSO MÁXIMO 141 KG
 CARGA MÁXIMA NO PISO
 146 KG/M²
 NÃO PERMITIDO BORDAS CORTANTES
 CTR COMPARTMENT FWD
MAX WEIGHT 310 LBS
 MAX. FLOOR LOADING
 30 LBS PER SQ. FT.
 NO SHARP EDGES

7A
DETAIL B

2610T7005

BRAZILIAN EXTERIOR PLACARDS AND MARKINGS - FUSELAGE
 FIGURE 02 (SHEET 1)

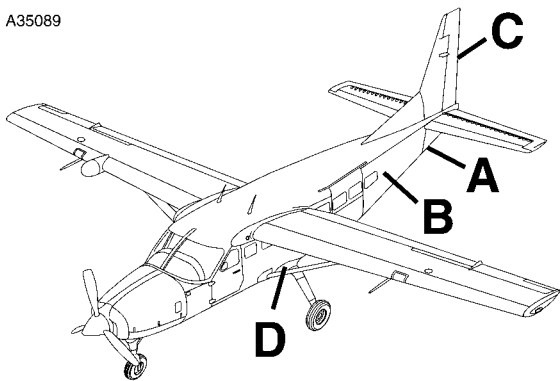
CESSNA®
MODEL 208
 ILLUSTRATED PARTS CATALOG

| FIG ITEM | PART NUMBER | NOMENCLATURE | UNITS PER ASSY | | |
|-------------|-------------|---|----------------------|-------|------|
| | | | 1 | 2 | 3 |
| 02 | | | | | |
| - | | BRAZILIAN EXTERIOR PLACARDS AND MARKINGS - FUSELAGE | | | RF |
| 1 | 2605036-3 | . PLACARD ASSY-AFT CARGO COMPARTMENT FSO 2605062-44 | 0001 | 0381 | NP R |
| | | | B0205 | B1087 | |
| 2 | 2605062-3 | . PLACARD-AFT COMPARTMENT FSO 2605062-44 | 0380 | 0403 | NP |
| | | | B1088 | B1192 | |
| 2A | 2605062-44 | . PLACARD-AFT COMPARTMENT | 0404 | & ON | 01 |
| | | | B1193 | & ON | |
| 3 | 2605036-8 | . PLACARD ASSY-FWD CARGO COMPARTMENT FSO 2605062-6 | 0001 | 0381 | NP R |
| | | | B0205 | B1087 | |
| 4 | 2605062-6 | . PLACARD-FWD CARGO COMPARTMENT | 0380 | & ON | 01 R |
| | | | B1088 | & ON | |
| 5 | 2605036-9 | . PLACARD ASSY-FWD CARGO COMPARTMENT FSO 2605062-7 | 0001 | 0381 | NP |
| | | | B0205 | B1087 | |
| 6 | 2605062-7 | . PLACARD-FWD CARGO COMPARTMENT | 0380 | & ON | 01 R |
| | | | B1088 | & ON | |
| 7 | 2605062-4 | . PLACARD-FWD COMPARTMENT FSO 2605062-45 | B1088 | B1192 | NP |
| 7A | 2605062-45 | . PLACARD-FWD COMPARTMENT | B1193 | & ON | 01 |

- ITEM NOT ILLUSTRATED

CESSNA®
MODEL 208
 ILLUSTRATED PARTS CATALOG

A35089



COMPARTIMENTO CENTRAL TRASEIRO
PÊSO MÁXIMO 122 KG
 CARGA MÁXIMA NO PISO
 146 KG PER SQ. METER
 NÃO PERMITIDO BORDAS CORTANTES
 CTR COMPARTMENT AFT
MAX WEIGHT 270 LBS
 MAX. FLOOR LOADING
 30 LBS PER SQ. FT.
 NO SHARP EDGES

4
DETAIL D

COMPARTIMENTO CENTRAL TRASEIRO
PÊSO MÁXIMO 122 KG
 CARGA MÁXIMA NO PISO
 146 KG/M²
 NÃO PERMITIDO BORDAS CORTANTES
 CTR COMPARTMENT AFT
MAX WEIGHT 270 LBS
 MAX. FLOOR LOADING
 30 LBS PER SQ. FT.
 NO SHARP EDGES

4A
DETAIL D

DESTRAVE  TRAVADO
ANTES DE TAXI E VÔO  DESTRAVADO

3
DETAIL C

DESTRAVE
UNLOCK  TRAVE
 LOCK
ANTES DO TAXI E DO VÔO  DESTRAVE
 UNLOCK

3A
DETAIL C

Aircraft Identification

| | |
|----------|------------|
| UNIT NO. | SERIAL NO. |
| TC | PC |
| MODEL | |

Cessna
 Manufactured By
 Cessna Aircraft Company
 Wichita, Kansas

1
DETAIL A

Aircraft Identification

| | |
|----------|------------|
| UNIT NO. | SERIAL NO. |
| TC | PC 4 |
| MODEL | |

Cessna
 Manufactured by
 Textron Aviation Inc.
 Wichita, KS USA

1A
DETAIL A

Aircraft Identification

| | |
|----------|------------|
| UNIT NO. | SERIAL NO. |
| TC | PC 4 |
| MODEL | |

Cessna
 Manufactured by
 Textron Aviation Inc.
 Wichita, KS USA

THIS PRODUCT OR COMPONENTS THEREOF MAY BE COVERED BY ONE OR MORE PATENTS OR PENDING APPLICATIONS. SEE: TXTAV.COM/PATENTS FOR DETAILS.

1B
DETAIL A

**ABASTECIMENTO
 DE
 OXIGENIO**

2
DETAIL B

**ABASTECIMENTO
 DE
 OXIGENIO**
 OXYGEN
 FILLER
 DOOR
 2605062-25

2A
DETAIL B

BRAZILIAN EXTERIOR PLACARDS AND MARKINGS - EMPENNAGE AND REAR BAGGAGE
 FIGURE 01 (SHEET 1)

2610T7005

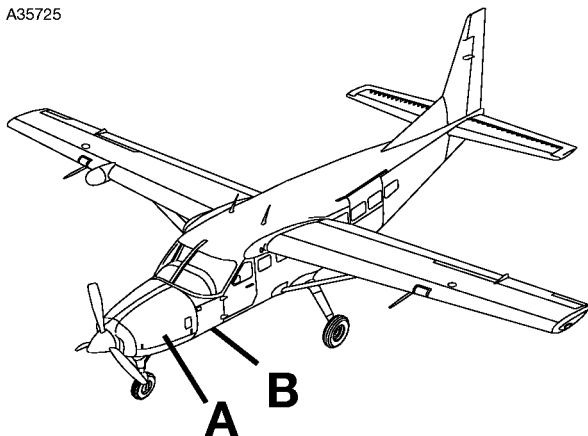
**CESSNA®
MODEL 208
ILLUSTRATED PARTS CATALOG**

| FIG ITEM | PART NUMBER | NOMENCLATURE | UNITS | |
|-------------|-------------|---|-------------|------|
| | | | PER | ASSY |
| | | 1 2 3 4 5 6 7 | | |
| 01 | | BRAZILIAN EXTERIOR PLACARDS AND MARKINGS - EMPENNAGE AND REAR BAGGAGE | | RF |
| - | | | | |
| 1 | S2807-1 | . NAMEPLATE-EXTERIOR AIRCRAFT IDENTIFICATION REFER TO NOTE 1 . . . | 0129 0572 | 01 |
| | | | B0077 B5223 | |
| 1A | S4441-1 | . NAMEPLATE-REFER TO NOTE 1 | 0573 0616 | 01 |
| | | | B5224 B5474 | |
| 1B | S4441-11 | . NAMEPLATE-REFER TO NOTE 1 | 0617 & ON | 01 |
| | | | B5475 & ON | |
| 2 | 2605038-9 | . PLACARD ASSY-OXYGEN FILLER DOOR FSO 2605062-25 | 0001 0381 | NP |
| | | | B0205 B1087 | |
| 2A | 2605062-25 | . PLACARD-OXYGEN FILLER DOOR | 0380 & ON | 01 R |
| | | | B1088 & ON | |
| 3 | 2605038-41 | . PLACARD-RUDDER GUST LOCK FSO 2605062-33 | 0239 0381 | NP |
| | | | B0405 B1087 | |
| 3A | 2605062-33 | . PLACARD-RUDDER GUST LOCK | 0380 & ON | 01 R |
| | | | B1088 & ON | |
| 4 | 2605062-5 | . PLACARD-CTR/AFT COMPARTMENT FSO 2605062-46 | B1088 B1192 | NP |
| 4A | 2605062-46 | . PLACARD-CTR/AFT COMPARTMENT | B1193 & ON | 01 |

NOTE 1—WHEN ORDERING PART, OWNER MUST SEND A NOTORIZED DOCUMENT STATING REASON FOR ORDERING A NEW ID PLATE, TYPE CERTIFICATE NUMBER, PRODUCTION CERTIFICATE NUMBER, ID PLATE NUMBER, AND MODEL NUMBER. OLD ID PLATE FROM AIRPLANE SHOULD BE ATTACHED TO THE ORDER, IF AVAILABLE. IF NOT ATTACHED, NEW PLATE WILL BE STAMPED "DUPLICATE".

CESSNA®
MODEL 208
ILLUSTRATED PARTS CATALOG

A35725



ALIMENTAÇÃO EXTERNA
TENSÃO NOMINAL: 28 VCC
MIN. DURANTE A PARTIDA:
800 AMPS
NÃO EXCEDER 1700 AMPS

1
DETAIL A

DRENAR FILTRO DE
COMBUSTIVEL
DIARIAMENTE

2
DETAIL B

ALIMENTAÇÃO EXTERNA
TENSÃO NOMINAL: 28 VCC
MIN. DURANTE A PARTIDA: 800 AMPS
NÃO EXCEDER 1700 AMPS

EXTERNAL POWER
28 VOLTS D.C. NOMINAL
800 AMPS STARTING CAPACITY MIN
DO NOT EXCEED 1700 AMPS

1A
DETAIL A

DRENAR FILTRO DE
COMBUSTIVEL
DIARIAMENTE

FUEL FILTER
DRAIN DAILY

2A
DETAIL B

2610T7005

BRAZILIAN EXTERIOR PLACARDS AND MARKINGS - COWLING
FIGURE 01 (SHEET 1)

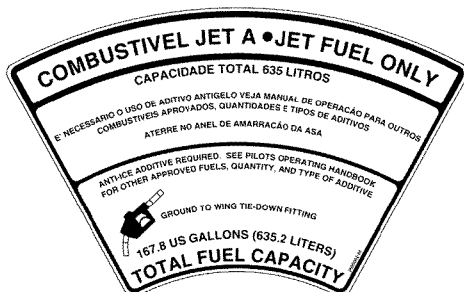
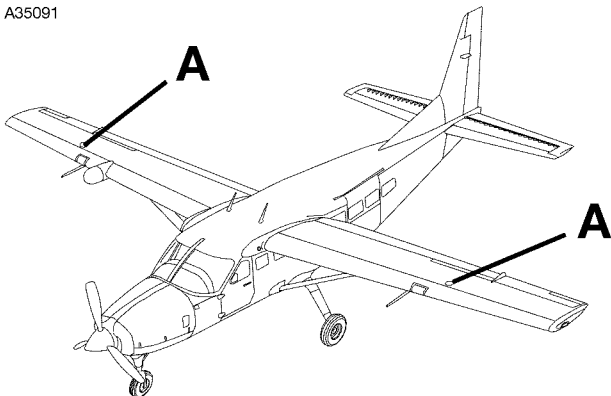
CESSNA®
MODEL 208
 ILLUSTRATED PARTS CATALOG

| FIG ITEM | PART NUMBER | NOMENCLATURE | UNITS PER ASSY | | |
|-------------|-------------|--|----------------------|-------|------|
| | | | 1 | 2 | 3 |
| 01 | | | | | |
| - | | BRAZILIAN EXTERIOR PLACARDS AND MARKINGS - COWLING | | | RF |
| 1 | 2605038-7 | . PLACARD ASSY-EXTERNAL POWER FSO 2605062-23 | 0001 | 0381 | NP |
| | | | B0205 | B1087 | |
| 1A | 2605062-23 | . PLACARD-EXTERNAL POWER | 0380 | & ON | 01 R |
| | | | B1088 | & ON | |
| 2 | 2605038-6 | . PLACARD ASSY-FUEL FILTER FSO 2605062-22 | 0001 | 0381 | NP |
| | | | B0205 | B1087 | |
| 2A | 2605062-22 | . PLACARD-FUEL FILTER | 0380 | & ON | 01 R |
| | | | B1088 | & ON | |

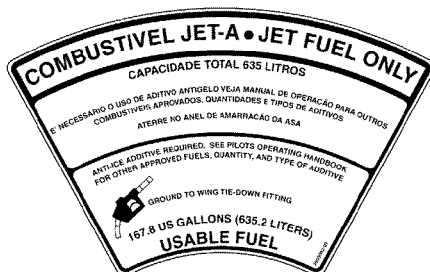
- ITEM NOT ILLUSTRATED

CESSNA®
MODEL 208
 ILLUSTRATED PARTS CATALOG

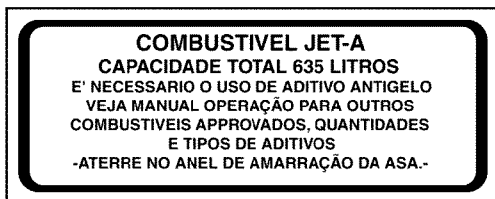
A35091



3
DETAIL A



2A
DETAIL A



2
DETAIL A



1
DETAIL A



1A
DETAIL A

2610T7005

BRAZILIAN EXTERIOR PLACARDS AND MARKINGS - WINGS
 FIGURE 01 (SHEET 1)

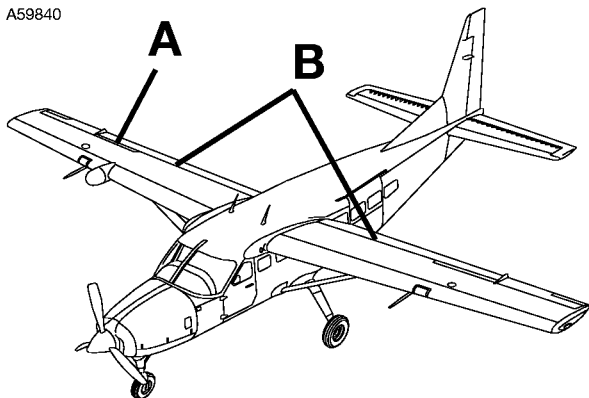
CESSNA®
MODEL 208
 ILLUSTRATED PARTS CATALOG

| FIG ITEM | PART NUMBER | NOMENCLATURE | UNITS PER ASSY | | |
|-------------|-------------|--|----------------------|-------|------|
| | | | 1 | 2 | 3 |
| 01 | | | | | |
| - | | BRAZILIAN EXTERIOR PLACARDS AND MARKINGS - WINGS | | | RF |
| 1 | 2605038-1 | . PLACARD ASSY-FUEL FILL CAPACITY INBD FSO 2605062-28 | 0001 | 0381 | NP |
| 1A | 2605062-28 | . PLACARD-FUEL FILL CAPACITY INBD | B0205 | B1087 | |
| 2 | 2605038-2 | . PLACARD ASSY-FUEL FILL CAPACITY OUTBD FSO 2605062-50 | 0380 | & ON | 02 R |
| 2A | 2605062-29 | . PLACARD-FUEL FILL CAPACITY OUTBD FSO 2605062-50 | B1088 | & ON | |
| 3 | 2605062-50 | . PLACARD-FUEL FILL CAPACITY OUTBD REFER TO NOTE 1 | 0001 | 0381 | NP R |
| | | | B0205 | B1087 | |
| | | | 0380 | 0416 | NP R |
| | | | B1088 | B1267 | |
| | | | 0417 | & ON | 02 |
| | | | B1268 | & ON | |

NOTE 1—ALSO USED ON AIRPLANES -0380 AND -0381 AND AIRPLANES -B1098, -B1154, -B1193, -B1224, -B1236, AND -B1251 INCORPORATING SSP08-3.

CESSNA®
MODEL 208
ILLUSTRATED PARTS CATALOG

A59840



1
DETAIL A



1A
DETAIL A



2A
DETAIL B



2
DETAIL B

2610T7005

BRAZILIAN EXTERIOR PLACARDS AND MARKINGS - WINGS
FIGURE 02 (SHEET 1)

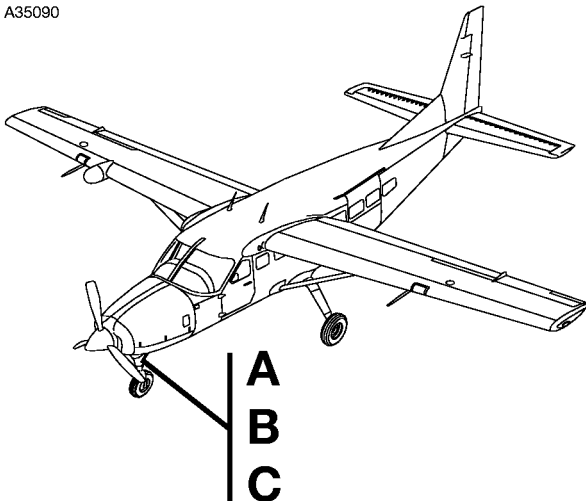
CESSNA®
MODEL 208
 ILLUSTRATED PARTS CATALOG

| FIG ITEM | PART NUMBER | NOMENCLATURE | UNITS PER ASSY | | |
|-------------|-------------|---|----------------------|-------|------|
| | | | 1 | 2 | 3 |
| 02 | | | | | |
| - | | BRAZILIAN EXTERIOR PLACARDS AND MARKINGS - WINGS | | | RF |
| 1 | 2605038-10 | . PLACARD ASSY-FLUX VALVE FSO 2605062-26 | 0001 | 0381 | NP |
| | | | B0205 | B1087 | |
| 1A | 2605062-26 | . PLACARD-FLUX VALVE | 0380 | & ON | 01 R |
| | | | B1088 | & ON | |
| 2 | 2605038-31 | . PLACARD ASSY-ON UPPER STRUT CUFF FAIRING FSO 2605062-30 | 0001 | 0381 | NP |
| | | | B0205 | B1087 | |
| 2A | 2605062-30 | . PLACARD-ON UPPER STRUT CUFF FAIRING | 0380 | & ON | 01 R |
| | | | B1088 | & ON | |

- ITEM NOT ILLUSTRATED

CESSNA®
MODEL 208
 ILLUSTRATED PARTS CATALOG

A35090



ATENÇÃO
LIMITE MÁXIMO
PARA REBOQUE
2605038-8

1
 DETAIL A

ATENÇÃO
LIMITE MÁXIMO
PARA REBOQUE

WARNING
MAXIMUM
TOW LIMIT
2605062-24

2
 DETAIL A

REBOQUE
TUG TOW
2605062-32

4A
 DETAIL C

REBOQUE
2605038-36

4
 DETAIL C

CUIDADO
 NÃO REBOQUE A
 AERONAVE COM O LEME
 TRAVADO

WARNING
 DO NOT TOW AIRCRAFT
 WITH RUDDER LOCK
 ENGAGED
2605062-20

3A
 DETAIL B

CUIDADO
 NÃO REBOQUE A
 AERONAVE COM O LEME
 TRAVADO
2605038-3

3
 DETAIL B

2610T7005

BRAZILIAN EXTERIOR PLACARDS AND MARKINGS - COWLING
 FIGURE 01 (SHEET 1)

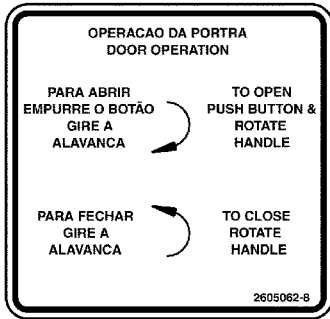
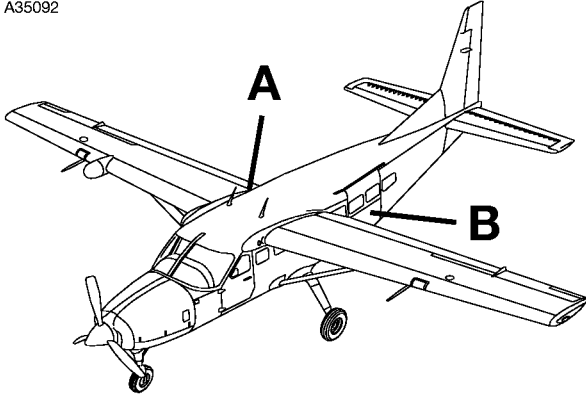
CESSNA®
MODEL 208
 ILLUSTRATED PARTS CATALOG

| FIG ITEM | PART NUMBER | NOMENCLATURE | UNITS PER ASSY | | |
|-------------|-------------|--|----------------------|-------|------|
| | | | 1 | 2 | 3 |
| 01 | | | | | |
| - | | BRAZILIAN EXTERIOR PLACARDS AND MARKINGS - COWLING | | | RF |
| 1 | 2605038-8 | . PLACARD ASSY-TURN LIMIT FSO 2605062-24 | 0001 | 0381 | NP |
| | | | B205 | B1087 | |
| 2 | 2605062-24 | . PLACARD-TURN LIMIT | 0380 | & ON | 02 R |
| | | | B1088 | & ON | |
| 3 | 2605038-3 | . PLACARD ASSY-RUDDER LOCK WARN FSO 2605062-20 | 0001 | 0381 | NP |
| | | | B0205 | B1087 | |
| 3A | 2605062-20 | . PLACARD-RUDDER LOCK WARN | 0380 | & ON | 01 R |
| | | | B1088 | & ON | |
| 4 | 2605038-36 | . PLACARD ASSY-ON SIDE OF NOSE LANDING GEAR FSO 2605062-32 | B0205 | B1087 | NP |
| 4A | 2605062-32 | . PLACARD-ON SIDE OF NOSE LANDING GEAR | 0380 | & ON | 01 R |
| | | | B1088 | & ON | |

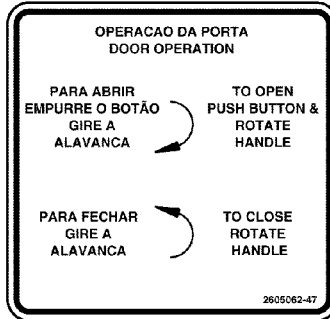
- ITEM NOT ILLUSTRATED

CESSNA®
MODEL 208
 ILLUSTRATED PARTS CATALOG

A35092



2A
DETAIL B



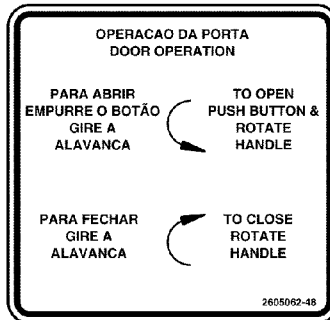
3
DETAIL B



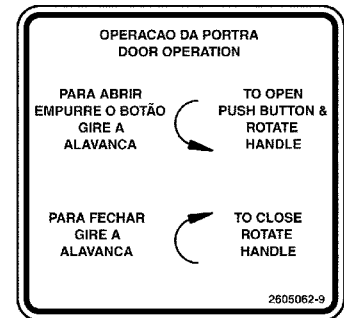
1
DETAIL A



2
DETAIL B



1B
DETAIL A



1A
DETAIL A

2610T7005

BRAZILIAN EXTERIOR PLACARDS AND MARKINGS - CABIN DOORS
 FIGURE 01 (SHEET 1)

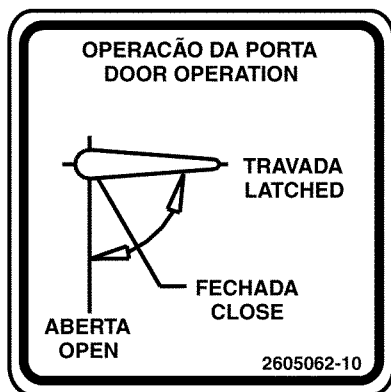
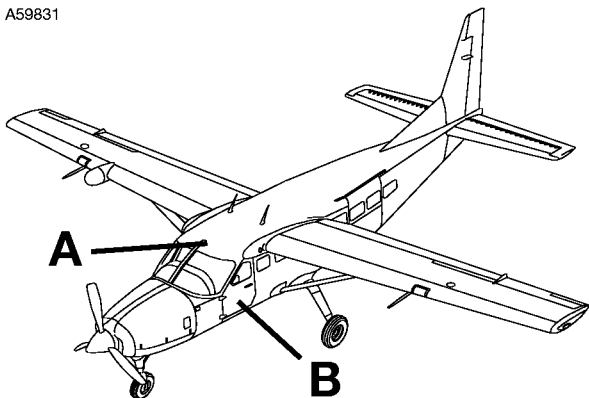
CESSNA®
MODEL 208
 ILLUSTRATED PARTS CATALOG

| FIG ITEM | PART NUMBER | NOMENCLATURE | UNITS PER ASSY | | |
|-------------|-------------|--|----------------------|-------|------|
| | | | 1 | 2 | 3 |
| 01 | | | | | |
| - | | BRAZILIAN EXTERIOR PLACARDS AND MARKINGS - CABIN DOORS | | | RF |
| 1 | 2605037-2 | . PLACARD ASSY-PASSENGER DOOR FSO 2605062-48 | 0001 | 0381 | NP R |
| 1A | 2605062-9 | . PLACARD-PASSENGER DOOR FSO 2605062-48 | B0205 | B1087 | |
| 1B | 2605062-48 | . PLACARD-PASSENGER DOOR | 0380 | 0403 | NP |
| 2 | 2605037-1 | . PLACARD ASSY-LH CREW DOOR FSO 2605062-47 | B1088 | B1192 | |
| 2A | 2605062-8 | . PLACARD-LH CREW DOOR FSO 2605062-47 | 0404 | & ON | AR |
| 3 | 2605062-47 | . PLACARD-AFT COMPARTMENT-LH CREW DOOR | B1193 | & ON | AR |

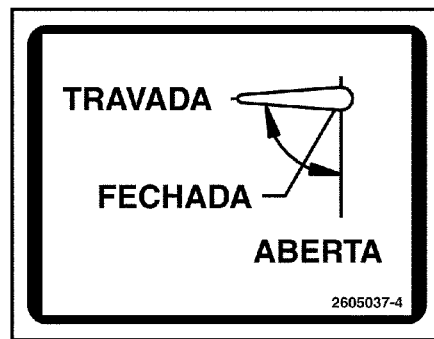
- ITEM NOT ILLUSTRATED

CESSNA®
MODEL 208
 ILLUSTRATED PARTS CATALOG

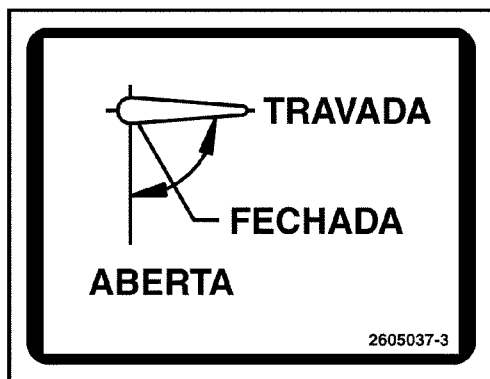
A59831



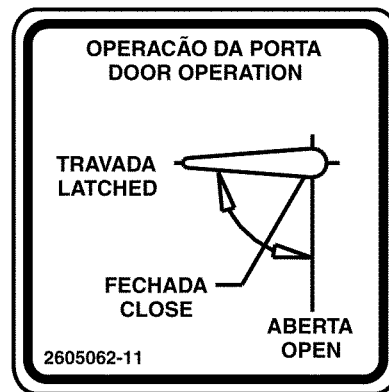
2A
DETAIL B



1
DETAIL A



2
DETAIL B



1A
DETAIL A

2610T7005

BRAZILIAN EXTERIOR PLACARDS AND MARKINGS - CABIN DOORS
 FIGURE 02 (SHEET 1)

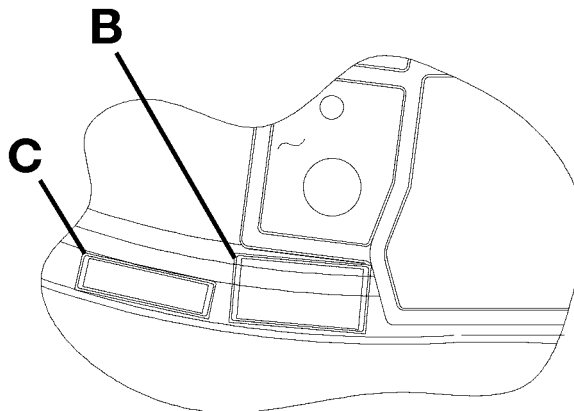
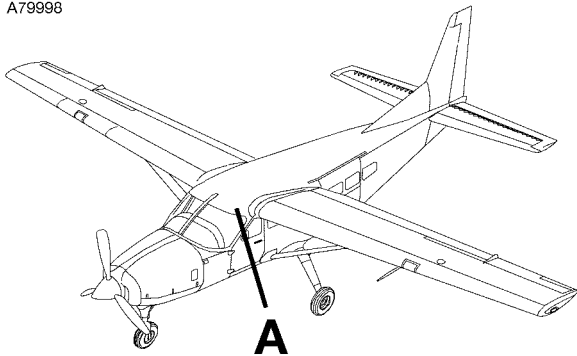
CESSNA®
MODEL 208
 ILLUSTRATED PARTS CATALOG

| FIG ITEM | PART NUMBER | NOMENCLATURE | UNITS PER ASSY | | |
|-------------|-------------|--|----------------------|-------|------|
| | | | 1 | 2 | 3 |
| 02 | | | | | |
| - | | BRAZILIAN EXTERIOR PLACARDS AND MARKINGS - CABIN DOORS | | | RF |
| 1 | 2605037-4 | . PLACARD ASSY-RH CREW DOOR FSO 2605062-11 | 0001 | 0381 | NP |
| 1A | 2605062-11 | . PLACARD-RH CREW DOOR | B0205 | B1087 | |
| 2 | 2605037-3 | . PLACARD ASSY-CARGO DOOR FSO 2605062-10 | 0380 | & ON | 01 R |
| 2A | 2605062-10 | . PLACARD-CARGO DOOR | B1088 | & ON | |

- ITEM NOT ILLUSTRATED

CESSNA®
MODEL 208
 ILLUSTRATED PARTS CATALOG

A79998



ALTERNATE STATIC SOURCE CORRECTION

CLIMBS & APPROACHES: NO CORRECTION REQUIRED.

CRUISE: CORRECTIONS VARY WITH VENTS OPEN OR CLOSED. REFER TO SECTION 5 OF PILOT'S OPERATING HANDBOOK.

2605017-1

DETAIL A

5
DETAIL C

The markings and placards installed in this airplane contain operating limitations which must be complied with when operating this airplane in the Normal Category. Other operating limitations which must be complied with when operating this airplane in this category are contained in the Pilot's Operating Handbook and FAA Approved Airplane Flight Manual.

No acrobatic maneuvers, including spins, approved.

Flight into known or forecast icing conditions prohibited.

This airplane is certified for the following flight operations as of date of original airworthiness certificate:

DAY - NIGHT - VFR

0605087-40

2
DETAIL B

The markings and placards installed in this airplane contain operating limitations which must be complied with when operating this airplane in the Normal Category. Other operating limitations which must be complied with when operating this airplane in this category are contained in the Pilot's Operating Handbook and FAA Approved Airplane Flight Manual.

No acrobatic maneuvers, including spins, approved.

Flight into known or forecast icing conditions prohibited.

This airplane is certified for the following flight operations as of date of original airworthiness certificate:

DAY - NIGHT - VFR - IFR

0605087-41

4
DETAIL B

2610T7002
 A2614T1435

BRAZILIAN INTERIOR PLACARDS AND MARKINGS - FLIGHT COMPARTMENT
 FIGURE 01 (SHEET 1)

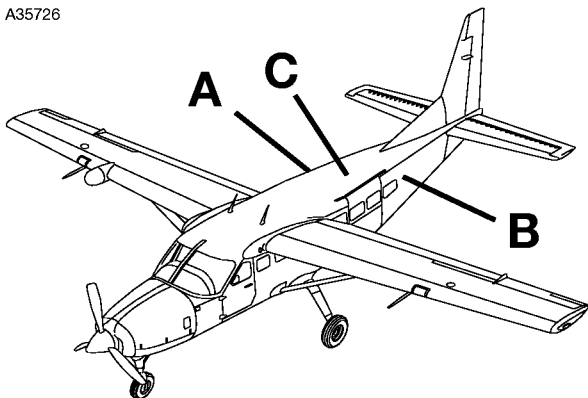
CESSNA®
MODEL 208
 ILLUSTRATED PARTS CATALOG

| FIG ITEM | PART NUMBER | NOMENCLATURE | UNITS PER ASSY | | |
|-------------|-------------|---|----------------------|-------|------|
| | | | 1 | 2 | 3 |
| 01 | | BRAZILIAN INTERIOR PLACARDS AND MARKINGS - FLIGHT COMPARTMENT | | | RF R |
| - 1 | 0505087-14 | . PLACARD-OPERATION LIMITS FSO 0505087-40 | 0001 | 0400 | NP R |
| 2 | 0505087-40 | . PLACARD-OPERATION LIMITS IFR | B0205 | B1087 | |
| - 3 | 0505087-15 | . PLACARD-OPERATION LIMITS FSO 0505087-41 | 0401 | & ON | 01 R |
| 4 | 0505087-41 | . PLACARD-OPERATION LIMITS VFR | B1088 | & ON | |
| 5 | 2605017-1 | . PLACARD-ALTERNATE STATIC SOURCE | 0001 | 0400 | NP R |
| | | | B0205 | B1087 | |
| | | | 0401 | & ON | 01 R |
| | | | B1088 | & ON | |
| | | | 0001 | 0499 | 01 R |
| | | | B0205 | B1087 | |

- ITEM NOT ILLUSTRATED

CESSNA®
MODEL 208
 ILLUSTRATED PARTS CATALOG

A35726



**CARGA MAXIMA 147 KG. VEJA O MANUAL
 O MANUAL BALANCEAMENTO
 PARA CARREGAR** 2605038-39

**1
 DETAIL A**

**TRANSMISSOR LOCALIZADOR
 DE EMERGÊNCIA (ELT)
 INSTALADO ATRÁS DESTA DIVISORIA
 MANTENHA A BATERIA CARREGADA**

**EMERGENCY LOCATOR TRANSMITTER
 INSTALLED AFT OF THIS PARTITION.
 MUST BE SERVICED IN ACCORDANCE
 WITH FAR PART 91.207**

2605062-21

**3A
 DETAIL C**

**CARGA MAXIMA 147 KG. VEJA O MANUAL
 BALANCEAMENTO PARA CARREGAR**

**MAX BAGGAGE 325 LBS. REFER TO
 WEIGHT AND BALANCE DATA FOR
 BAGGAGE/CARGO LOADING**

2605062-27

**1A
 DETAIL A**

**TRANSMISSOR LOCALIZADOR
 DE EMERGENCIA (ELT)
 INSTALADO ATRAS DESTA DIVISORIA
 MANTENHA A BATERIA CARREGADA** 2605038-4

**3
 DETAIL C**

**CARGA MAXIMA 147 KG. VEJA O MANUAL
 DE PESO E BALANCEAMENTO
 PARA CARREGAR**

**MAX BAGGAGE 325 LBS. REFER TO
 WEIGHT AND BALANCE DATA FOR
 BAGGAGE/CARGO LOADING**

**1B
 DETAIL A**

**EMPURRE PARA
 ACESSO AO ELT**

**PUSH TO ACCESS
 ELT SWITCH**

| | |
|------------------|-------------|
| | LIG |
| | ON |
| OPERAÇÃO | DESL |
| OPERATION | OFF |
| | AUTO |

2605062-31

**2A
 DETAIL B**

**EMPURRE PARA
 ACESSO AO ELT**

| | |
|-----------------|-------------|
| | LIG |
| OPERAÇÃO | DES |
| | AUTO |

2605038-34

**2
 DETAIL B**

2610T7005

**BRAZILIAN INTERIOR PLACARDS AND MARKINGS - CABIN
 FIGURE 01 (SHEET 1)**

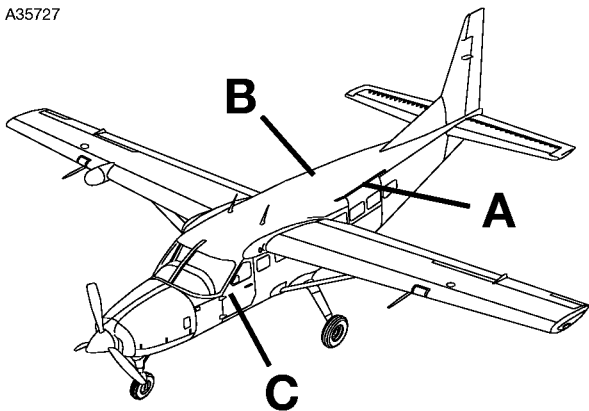
CESSNA®
MODEL 208
 ILLUSTRATED PARTS CATALOG

| FIG ITEM | PART NUMBER | NOMENCLATURE | UNITS PER ASSY | |
|-------------|-------------|--|----------------------|------------|
| | | | 1 2 3 4 5 6 7 | |
| 01 | | BRAZILIAN INTERIOR PLACARDS AND MARKINGS - CABIN | | RF |
| - | 2605038-39 | . PLACARD ASSY BAGGAGE COMPARTMENT FSO 2605062-49 | 0235 | 0381 NP R |
| 1A | 2605062-27 | . PLACARD BAGGAGE COMPARTMENT FSO 2605062-49 | B0362 | B1087 NP R |
| 1B | 2605062-49 | . PLACARD BAGGAGE COMPARTMENT | 0380 | 0403 NP R |
| 2 | 2605038-34 | . PLACARD ASSY-ELT SWITCH OPERATION FSO 2605062-31 | B1088 | B1192 01 |
| 2A | 2605062-31 | . PLACARD-ELT SWITCH OPERATION | 0404 | & ON 01 |
| 3 | 2605038-4 | . PLACARD ASSY-ELT FSO 2605062-21 | B1193 | & ON NP |
| 3A | 2605062-21 | . PLACARD-ELT | 0001 | 0381 NP |
| | | | B0205 | B1087 01 R |
| | | | 0380 | & ON 01 R |
| | | | B1088 | & ON 01 R |
| | | | 0001 | 0381 NP |
| | | | B0205 | B1087 01 R |
| | | | 0380 | & ON 01 R |
| | | | B1088 | & ON 01 R |

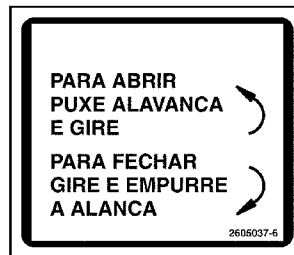
- ITEM NOT ILLUSTRATED

CESSNA®
MODEL 208
 ILLUSTRATED PARTS CATALOG

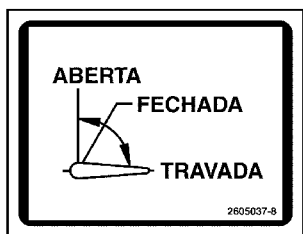
A35727



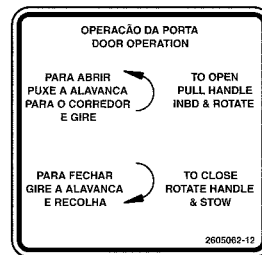
3A
DETAIL C



1
DETAIL A



3
DETAIL C



1A
DETAIL A



2A
DETAIL B



2
DETAIL B

2610T7005

BRAZILIAN INTERIOR PLACARDS AND MARKINGS - CABIN DOORS
 FIGURE 01 (SHEET 1)

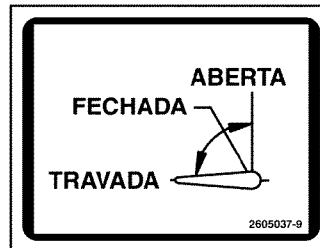
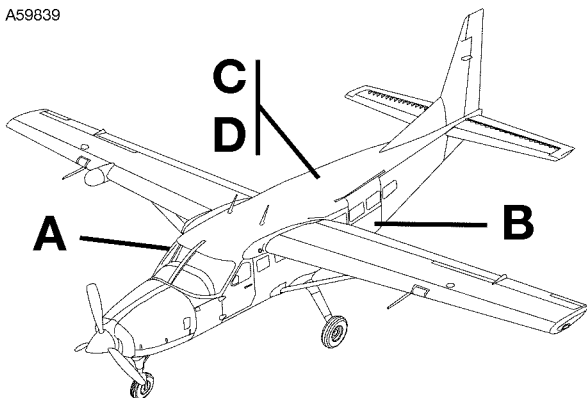
CESSNA®
MODEL 208
 ILLUSTRATED PARTS CATALOG

| FIG ITEM | PART NUMBER | NOMENCLATURE | UNITS PER ASSY | | |
|-------------|-------------|---|----------------------|-------|------|
| | | | 1 | 2 | 3 |
| 01 | | | | | |
| - | | BRAZILIAN INTERIOR PLACARDS AND MARKINGS - CABIN DOORS | | | RF |
| 1 | 2605037-6 | . PLACARD-UPPER CARGO DOOR FSO 2605062-12 | 0001 | 0381 | NP |
| | | | B0205 | B1087 | |
| 1A | 2605062-12 | . PLACARD-UPPER CARGO DOOR | 0380 | & ON | 01 R |
| | | | B1088 | & ON | |
| 2 | 2605037-7 | . PLACARD-UPPER PASSENGER DOOR FSO 2605062-13 | 0001 | 0381 | NP |
| | | | B0205 | B1087 | |
| 2A | 2605062-13 | . PLACARD-UPPER PASSENGER DOOR | 0380 | & ON | 01 R |
| | | | B1088 | & ON | |
| 3 | 2605037-8 | . PLACARD-LH CREW DOOR FSO 2605062-14 | 0001 | 0381 | NP |
| | | | B0205 | B1087 | |
| 3A | 2605062-14 | . PLACARD-LH CREW DOOR | 0380 | & ON | 01 R |
| | | | B1088 | & ON | |

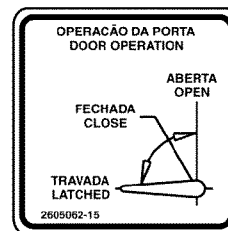
- ITEM NOT ILLUSTRATED

CESSNA®
MODEL 208
 ILLUSTRATED PARTS CATALOG

A59839



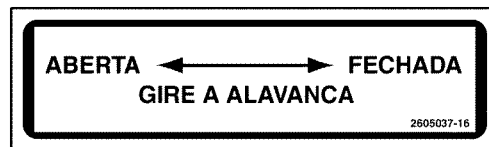
1
DETAIL A



1A
DETAIL A



4A
DETAIL D



2
DETAIL B



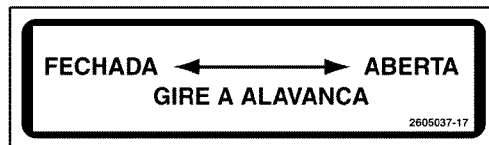
4
DETAIL D



2A
DETAIL B



3A
DETAIL C



3
DETAIL C

2610T7005

BRAZILIAN INTERIOR PLACARDS AND MARKINGS - CABIN DOORS
 FIGURE 02 (SHEET 1)

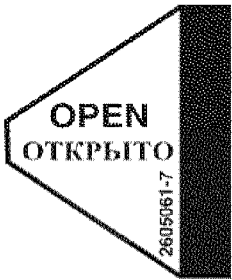
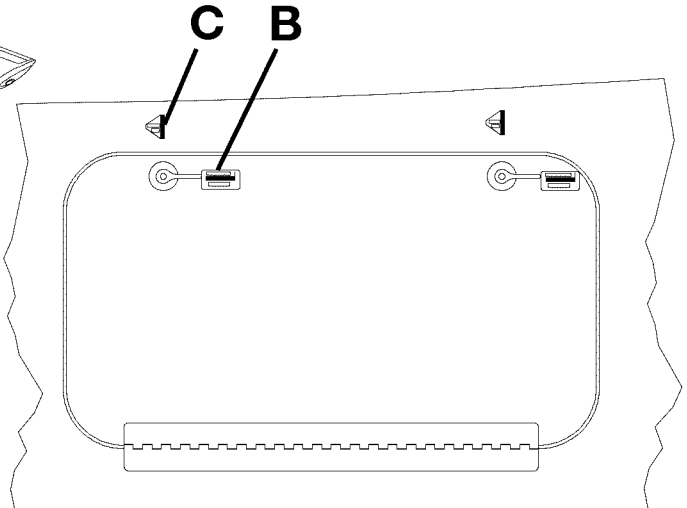
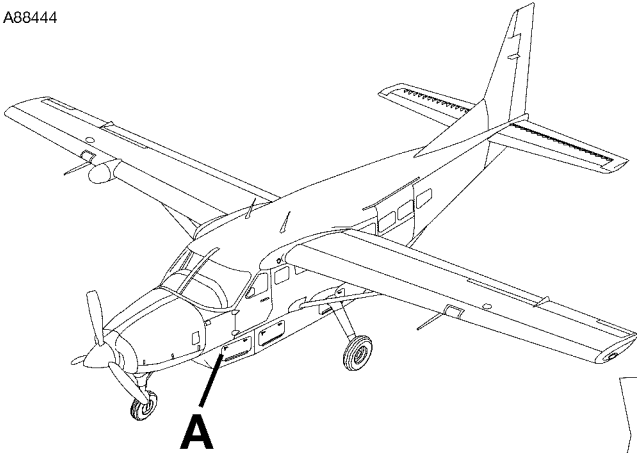
CESSNA®
MODEL 208
 ILLUSTRATED PARTS CATALOG

| FIG ITEM | PART NUMBER | NOMENCLATURE | UNITS PER ASSY | |
|-------------|-------------|--|------------------------|-----------------------|
| | | | 1 2 3 4 5 6 7 | |
| 02 | | | | |
| - | | BRAZILIAN INTERIOR PLACARDS AND MARKINGS - CABIN DOORS | | RF |
| 1 | 2605037-9 | . PLACARD-RH CREW DOOR FSO 2605062-15 | 0001 | 0381 NP |
| 1A | 2605037-15 | . PLACARD-RH CREW DOOR | B0205 0380 B1088 | B1087 & ON & ON |
| 2 | 2605037-16 | . PLACARD LWR CARGO DOOR FSO 2605062-17 | 0001 | 0381 NP |
| 2A | 2605062-17 | . PLACARD LWR CARGO DOOR | B0205 0380 B1088 | B1087 & ON & ON |
| 3 | 2605037-17 | . PLACARD LWR PASSENGER DOOR FSO 2605062-18 | 0001 | 0381 N P R |
| 3A | 2605062-18 | . PLACARD LWR PASSENGER DOOR | B0214 0380 B1088 | B1087 & ON & ON |
| 4 | 2605037-10 | . PLACARD-LWR PASSENGER DOOR FSO 2605062-16 | 0001 | 0381 N P R |
| 4A | 2605062-16 | . PLACARD-LWR PASSENGER DOOR | B0214 0380 B1088 | B1087 & ON & ON |

- ITEM NOT ILLUSTRATED

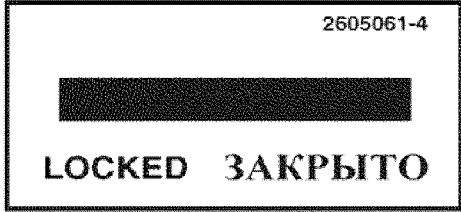
CESSNA®
MODEL 208
 ILLUSTRATED PARTS CATALOG

A88444



2
DETAIL C

DETAIL A
 VIEW LOOKING INBOARD, LEFT SIDE
 AT FORWARD CARGO POD DOOR



1
DETAIL B

RUSSIAN EXTERIOR PLACARDS AND MARKINGS - FUSELAGE
 FIGURE 01 (SHEET 1)

2610T7004
 A2619T1176

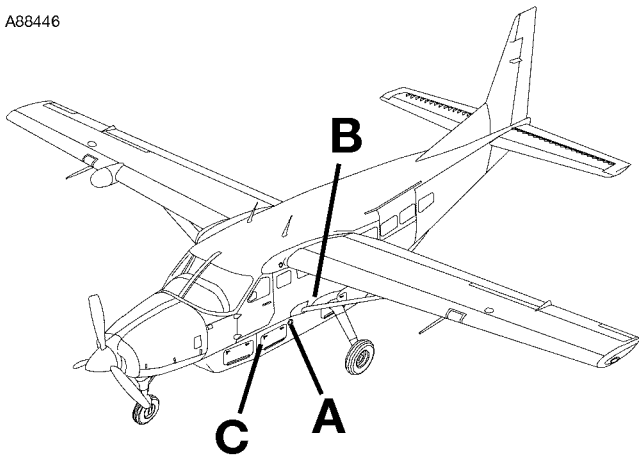
CESSNA®
MODEL 208
 ILLUSTRATED PARTS CATALOG

| FIG ITEM | PART NUMBER | NOMENCLATURE | UNITS PER ASSY | | |
|-------------|-------------|---|----------------------|------|------|
| | | | 1 | 2 | 3 |
| 01 | | | | | |
| - | | RUSSIAN EXTERIOR PLACARDS AND MARKINGS - FUSELAGE | 0524 | & ON | RF R |
| | | | B2246 | & ON | |
| 1 | 2605061-4 | . PLACARD ASSY-DOOR, LOCKED | | | AR R |
| 2 | 2605061-7 | . PLACARD ASSY-DOOR, OPEN | | | AR R |

- ITEM NOT ILLUSTRATED

CESSNA®
MODEL 208
 ILLUSTRATED PARTS CATALOG

A88446

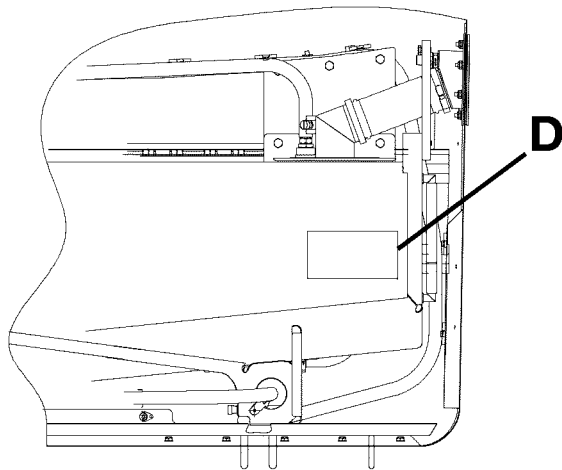


ВИЗУАЛЬНЫЙ УКАЗАТЕЛЬ СИСТЕМЫ TKS ЯВЛЯЕТСЯ ЕДИНСТВЕННЫМ ОДОБРЕННЫМ СРЕДСТВОМ ДЛЯ ПРОВЕРКИ НАЛИЧИЯ ДОСТАТОЧНОГО КОЛИЧЕСТВА ЖИДКОСТИ ПЕРЕД ПОЛЕТОМ В ИЗВЕСТНЫХ ИЛИ ПРОГНОЗИРУЕМЫХ УСЛОВИЯХ ОБЛЕДЕНЕНИЯ. ПОПЛАВОК УКАЗАТЕЛЯ УРОВНЯ ЖИДКОСТИ ДОЛЖЕН БЫТЬ ВЫШЕ ЛИНИИ МИНИМАЛЬНОГО КОЛИЧЕСТВА ЖИДКОСТИ (11,7 АМЕРИКАНСКИХ ГАЛЛОНОВ), ДЛЯ ОБЕСПЕЧЕНИЯ ПРАВИЛЬНОСТИ ПОКАЗАНИЙ САМОЛЕТ НЕОБХОДИМО ВЫРОВНЯТЬ.

THE TKS SIGHT GAGE IS THE ONLY APPROVED MEANS OF ASSURING ADEQUATE FLUID QUANTITY PRIOR TO FLIGHT INTO KNOWN OR FORECAST ICING CONDITIONS. THE FLUID LEVEL BALL MUST BE ABOVE THE MINIMUM DISPATCH QUANTITY LINE (11.7 U.S. GALLONS). THE AIRCRAFT MUST BE LEVEL TO ENSURE PROPER INDICATIONS.

S4274-1

3
DETAIL D



DETAIL C



1
DETAIL A



2
DETAIL B

RUSSIAN EXTERIOR PLACARDS AND MARKINGS -TKS
 FIGURE 02 (SHEET 1)

2610T7004
 C2619T1176

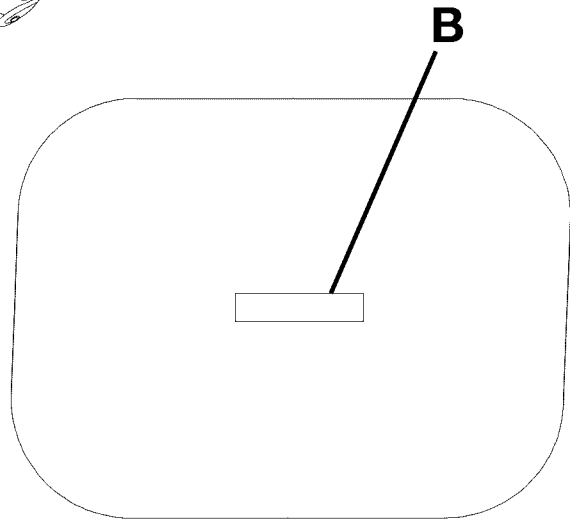
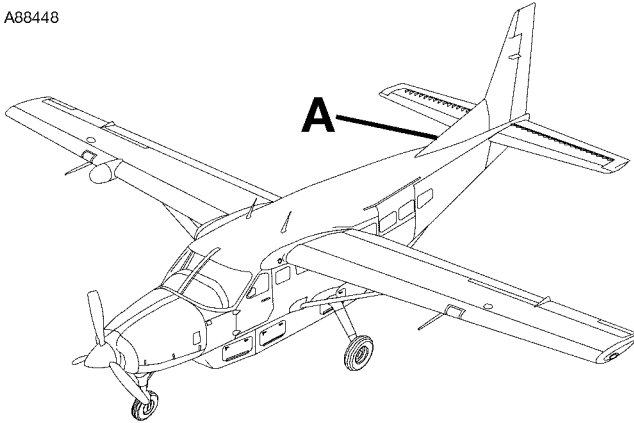
CESSNA®
MODEL 208
 ILLUSTRATED PARTS CATALOG

| FIG ITEM | PART NUMBER | 1 2 3 4 5 6 7 | NOMENCLATURE | UNITS PER ASSY | | |
|-------------|-------------|---------------|---|----------------------|--------------|------|
| | | | | | | |
| 02 | | | | | | |
| - | | | RUSSIAN EXTERIOR PLACARDS AND MARKINGS -TKS | 0524 B2246 | & ON & ON | RF R |
| 1 | S4274-3 | | . PLACARD-FILL CAP | | | 01 R |
| 2 | S4274-4 | | . PLACARD-FILL CAP | | | 01 R |
| 3 | S4274-1 | | . PLACARD-OPERATION LIMIT | | | 01 R |

- ITEM NOT ILLUSTRATED

CESSNA®
MODEL 208
ILLUSTRATED PARTS CATALOG

A88448



DETAIL A

РАДИОМАЯК НАХОДИТСЯ
ПОД ЭТОЙ ПАНЕЛЬЮ
E.L.T IS LOCATED BEHIND THIS SURFACE
S4273-1

1
DETAIL B

2610T7007
A2619T1176

RUSSIAN EXTERIOR PLACARDS AND MARKINGS - EMPENNAGE AND REAR BAGGAGE
FIGURE 01 (SHEET 1)

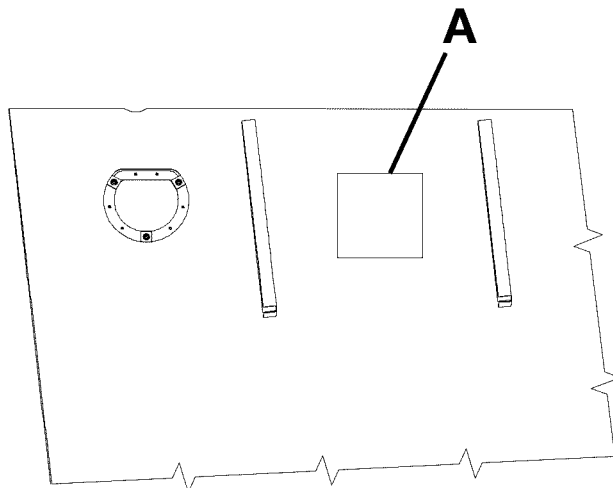
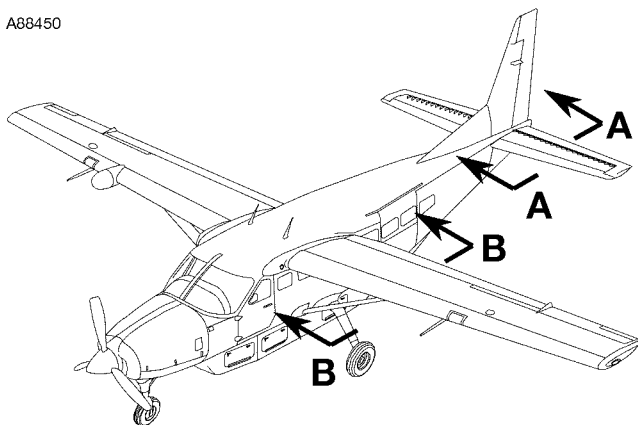
CESSNA®
MODEL 208
 ILLUSTRATED PARTS CATALOG

| FIG ITEM | PART NUMBER | NOMENCLATURE | UNITS PER ASSY | | |
|-------------|-------------|--|----------------------|------|------|
| | | | 1 | 2 | 3 |
| 01 | | | | | |
| - | | RUSSIAN EXTERIOR PLACARDS AND MARKINGS - EMPENNAGE AND REAR BAGGAGE | 0524 | & ON | RF R |
| 1 | S4273-1 | . PLACARD-ELT LOCATION | B2246 | & ON | 01 R |

- ITEM NOT ILLUSTRATED

CESSNA®
MODEL 208
 ILLUSTRATED PARTS CATALOG

A88450



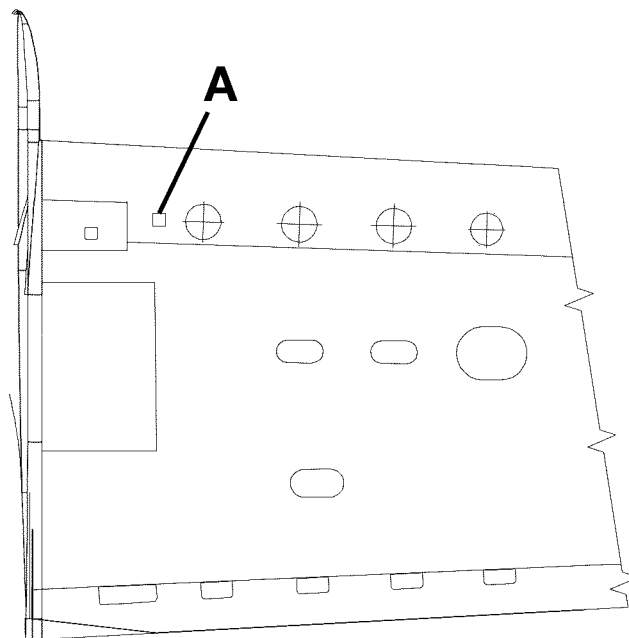
VIEW A-A

ПРЕДУПРЕЖДЕНИЕ
 НЕКОТОРЫЕ ВИДЫ РАСТВОРИТЕЛЕЙ
 МОГУТ ПОВРЕДИТЬ ПОРИСТЫЕ
 ПРОТИВООБЛЕДЕНТЕЛЬНЫЕ ПАНЕЛИ.
 СМ. РАЗДЕЛ 8 ПРИЛОЖЕНИЯ К
 РУКОВОДСТВУ ПО ЛЕТНОЙ ЭКСПЛУАТАЦИИ

CAUTION
 POROUS DE-ICING PANELS MAY
 BE DAMAGED BY CERTAIN SOLVENTS.
 REFER TO SECTION 8 OF
 T.K.S. SUPPLEMENT TO
 PILOTS OPERATING HANDBOOK

S4274-2

1
DETAIL A



VIEW B-B

RUSSIAN EXTERIOR PLACARDS AND MARKINGS - TKS
 FIGURE 01 (SHEET 1)

2610T7004
 AA2619T1176
 BB2619T1176

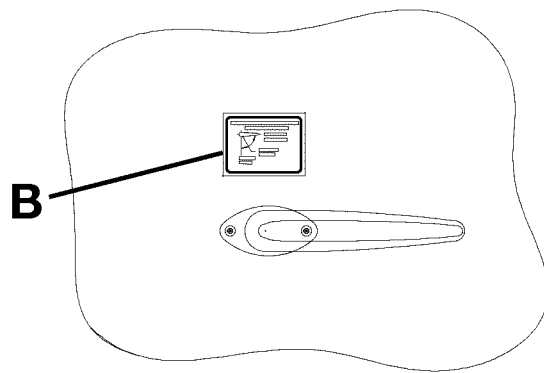
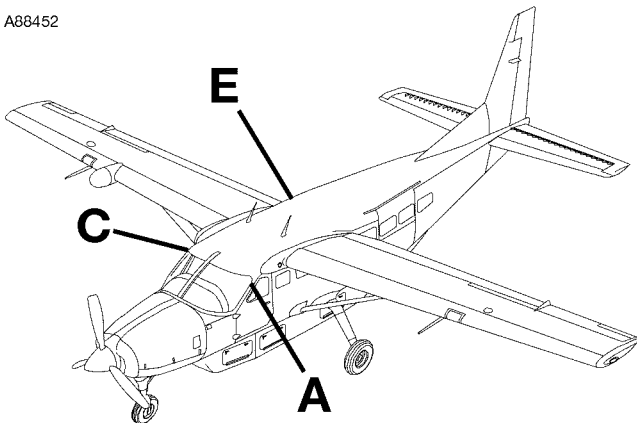
CESSNA®
MODEL 208
 ILLUSTRATED PARTS CATALOG

| FIG ITEM | PART NUMBER | NOMENCLATURE | UNITS PER ASSY | | |
|-------------|-------------|--|----------------------|------|------|
| | | | 1 | 2 | 3 |
| 01 | | | | | |
| - | | RUSSIAN EXTERIOR PLACARDS AND MARKINGS - TKS | 0524 | & ON | RF R |
| | | | B2246 | & ON | |
| 1 | S4274-2 | . PLACARD-CAUTION, LH AND RH | | | 04 R |

- ITEM NOT ILLUSTRATED

CESSNA®
MODEL 208
 ILLUSTRATED PARTS CATALOG

A88452



DETAIL A



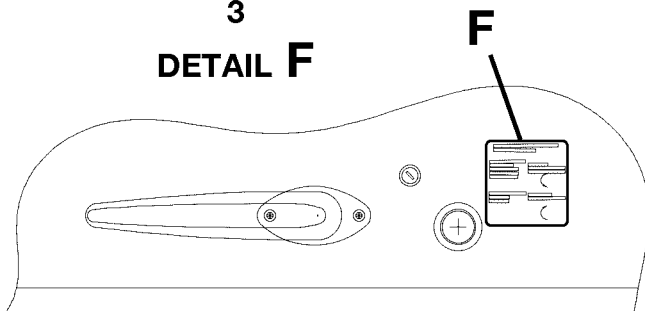
3

DETAIL F

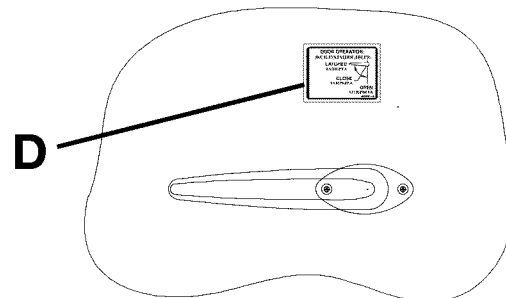


1

DETAIL B



DETAIL E



DETAIL C



2

DETAIL D

RUSSIAN EXTERIOR PLACARDS AND MARKINGS - CABIN DOORS
 FIGURE 01 (SHEET 1)

2610T7004
 A2619T1176
 C2619T1176
 C2619T1176

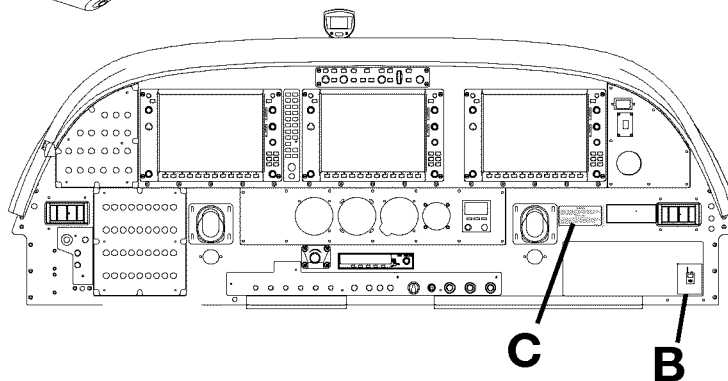
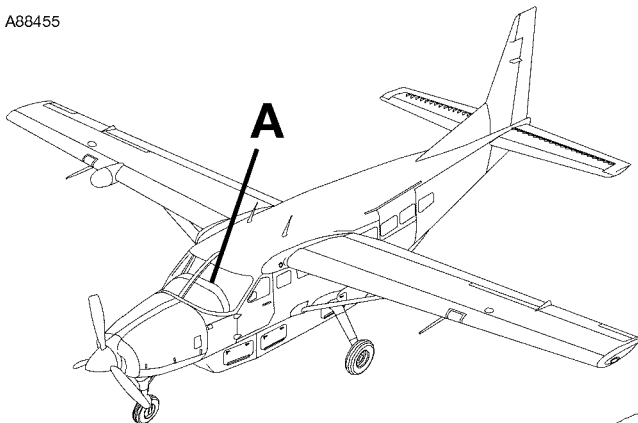
CESSNA®
MODEL 208
 ILLUSTRATED PARTS CATALOG

| FIG ITEM | PART NUMBER | NOMENCLATURE | UNITS PER ASSY | | |
|-------------|-------------|--|----------------------|------|------|
| | | | 1 | 2 | 3 |
| 01 | | | | | |
| - | | RUSSIAN EXTERIOR PLACARDS AND MARKINGS - CABIN DOORS | 0524 | & ON | RF R |
| | | | B2246 | & ON | |
| 1 | 2605061-15 | . PLACARD ASSY-LH CREW DOOR | | | 01 R |
| 2 | 2605061-16 | . PLACARD ASSY-RH CREW DOOR | | | 01 R |
| 3 | 2605061-1 | . PLACARD ASSY-PAX DOOR | | | 01 R |

- ITEM NOT ILLUSTRATED

CESSNA®
MODEL 208
 ILLUSTRATED PARTS CATALOG

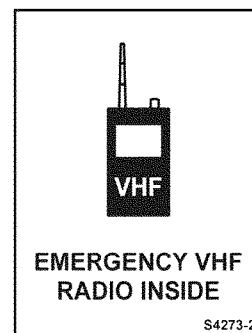
A88455



DETAIL A

| |
|--|
| <p>WARNING</p> <p>ASSURE THAT SEAT IS LOCKED IN POSITION PRIOR TO TAXI, TAKE-OFF AND LANDING. FAILURE TO PROPERLY LATCH SEAT AND HEED ALL SAFETY INSTRUCTIONS CAN RESULT IN BODILY INJURY OR DEATH.</p> <p>ВНИМАНИЕ</p> <p>УБЕДИТЕСЬ, ЧТО КРЕСЛО ЗАФИКСИРОВАНО ПЕРЕД РУЛЕПИЕМ, ВЗЛЕТОМ И ПОСАДКОЙ, НЕПРАВИЛЬНАЯ ФИКСАЦИЯ КРЕСЛА И НЕСОБЛЮДЕНИЕ ПРАВИЛ БЕЗОПАСНОСТИ МОЖЕТ ПРИВЕСТИ К ТРАВМЕ ИЛИ СМЕРТИ</p> <p style="text-align: right;">2605061-12</p> |
|--|

2
DETAIL C



1
DETAIL B

RUSSIAN EXTERIOR PLACARDS AND MARKINGS - FLIGHT COMPARTMENT
 FIGURE 01 (SHEET 1)

2610T7004
 A2619T1176

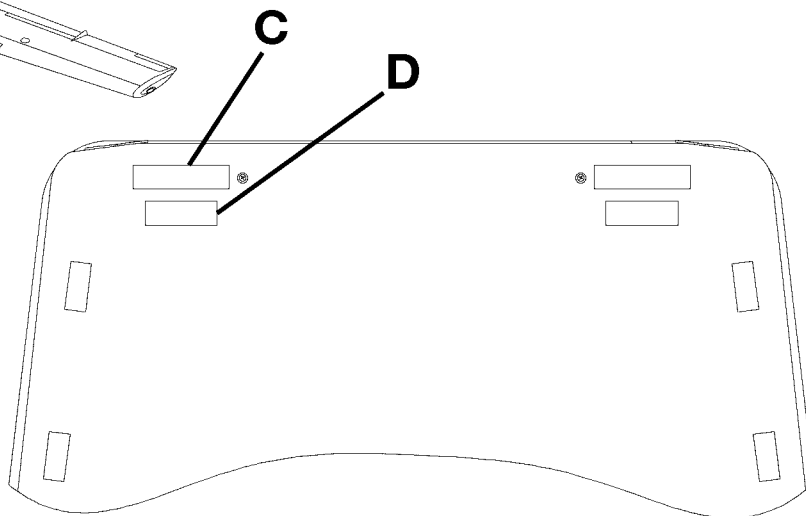
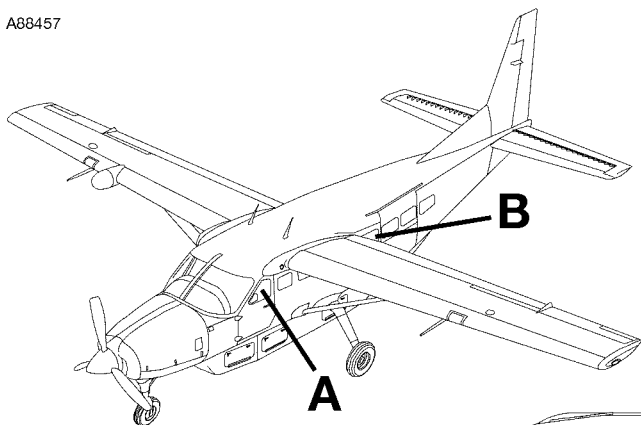
CESSNA®
MODEL 208
 ILLUSTRATED PARTS CATALOG

| FIG ITEM | PART NUMBER | NOMENCLATURE | UNITS PER ASSY | | |
|-------------|-------------|---|----------------------|------|------|
| | | | 1 | 2 | 3 |
| 01 | | | | | |
| - | | RUSSIAN EXTERIOR PLACARDS AND MARKINGS - FLIGHT COMPARTMENT | 0524 | & ON | RF R |
| | | | B2246 | & ON | |
| 1 | S4273-2 | . PLACARD-VHF RADIO | | | 01 R |
| 2 | 2605061-12 | . PLACARD-SEAT LOCK | | | 01 R |

- ITEM NOT ILLUSTRATED

CESSNA®
MODEL 208
 ILLUSTRATED PARTS CATALOG

A88457

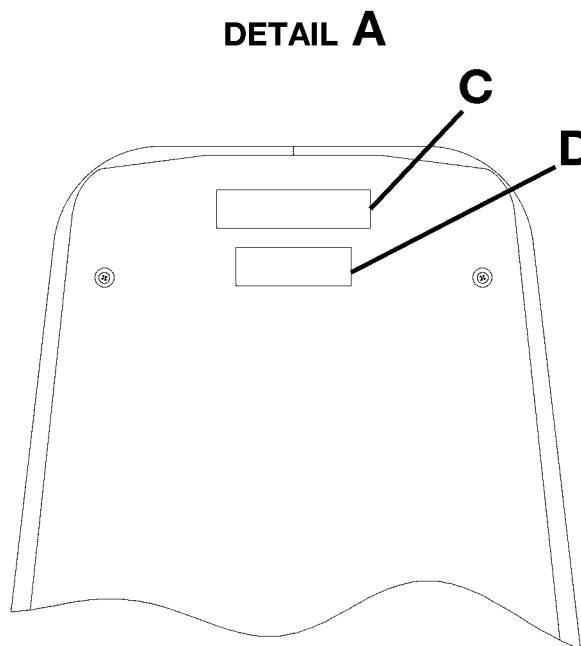


LIFE VEST UNDER SEAT
 СПАСАТЕЛЬНЫЙ ЖИЛЕТ
 ПОД КРЕСЛОМ
 2605061-11

2
DETAIL D

FASTEN SEAT BELT WHILE SEATED
 ЗАСТЕГНИТЕ РЕМНИ БЕЗОПАСНОСТИ,
 НАХОДЯСЬ В КРЕСЛЕ
 2605061-10

1
DETAIL C



DETAIL B

2610T7004
 A2619T1176
 B2619T1176

RUSSIAN EXTERIOR PLACARDS AND MARKINGS - CABIN
 FIGURE 01 (SHEET 1)

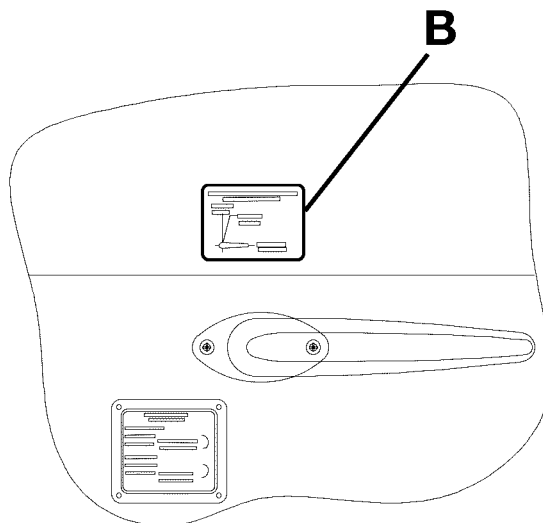
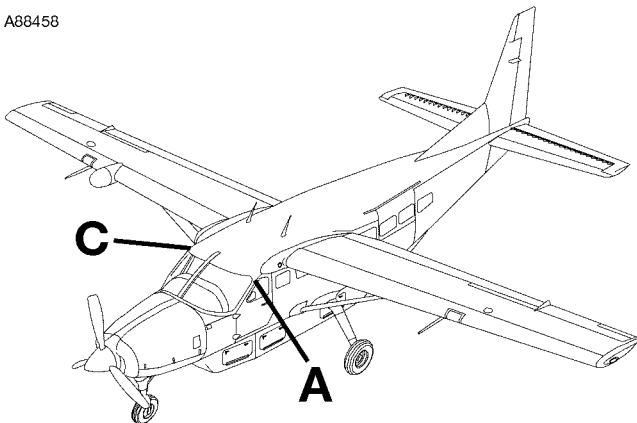
CESSNA®
MODEL 208
 ILLUSTRATED PARTS CATALOG

| FIG ITEM | PART NUMBER | NOMENCLATURE | UNITS PER ASSY | | |
|-------------|-------------|--|----------------------|------|------|
| | | | 1 | 2 | 3 |
| 01 | | | | | |
| - | | RUSSIAN EXTERIOR PLACARDS AND MARKINGS - CABIN | 0524 | & ON | RF R |
| | | | B2246 | & ON | |
| 1 | 2605061-10 | . PLACARD-SEAT BELT | | | ARR |
| 2 | 2605061-11 | . PLACARD-LIFE VEST | | | ARR |

- ITEM NOT ILLUSTRATED

CESSNA®
MODEL 208
 ILLUSTRATED PARTS CATALOG

A88458



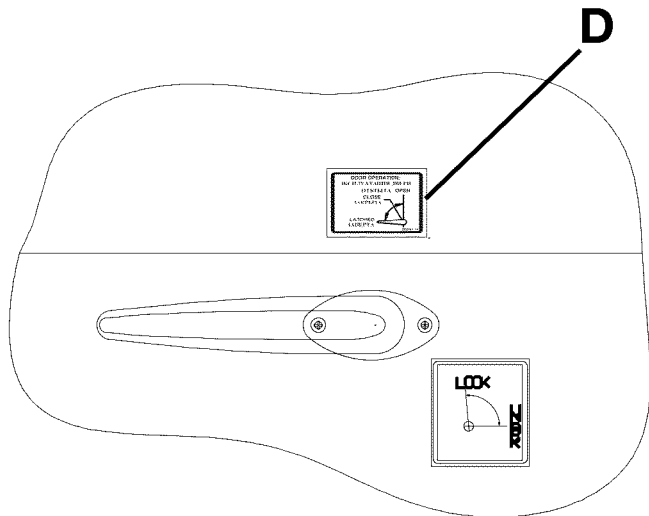
DETAIL A



**2
 DETAIL D**



**1
 DETAIL B**



DETAIL C

RUSSIAN INTERIOR PLACARDS AND MARKINGS - CABIN DOORS
 FIGURE 01 (SHEET 1)

2610T7004
 A2619T1176
 C2619T1176

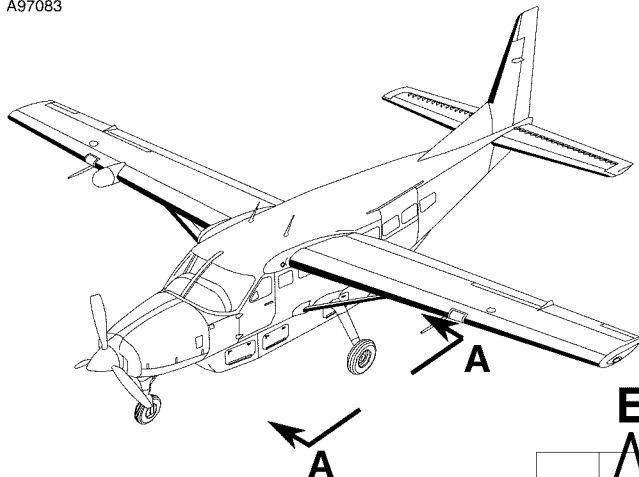
CESSNA®
MODEL 208
 ILLUSTRATED PARTS CATALOG

| FIG ITEM | PART NUMBER | NOMENCLATURE | UNITS PER ASSY | | |
|-------------|-------------|--|----------------------|------|------|
| | | | 1 | 2 | 3 |
| 01 | | | | | |
| - | | RUSSIAN INTERIOR PLACARDS AND MARKINGS - CABIN DOORS | 0524 | & ON | RF R |
| | | | B2246 | & ON | |
| 1 | 2605061-13 | . PLACARD-LH CREW DOOR | | | 01 R |
| 2 | 2605061-14 | . PLACARD-RH CREW DOOR | | | 01 R |

- ITEM NOT ILLUSTRATED

CESSNA®
MODEL 208
 ILLUSTRATED PARTS CATALOG

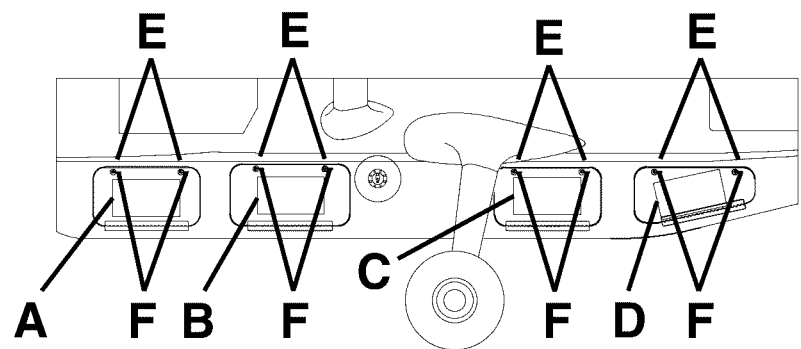
A97083



KHOANG TRƯỚC
TRỌNG LƯỢNG TỐI ĐA 230 LBS
TẢI SÀN TỐI ĐA 30 LBS /FT²
KHÔNG ĐỂ VẬT SẮC CẠNH
FORWARD COMPARTMENT
MAX WEIGHT 230 LBS
MAX FLOOR LOADING
30 LBS PER SQ. FT.
NO SHARP EDGES

1

DETAIL A



VIEW A-A



6

DETAIL F
 TYPICAL



5

DETAIL E
 TYPICAL

KHOANG GIỮA - TRƯỚC
TRỌNG LƯỢNG TỐI ĐA 310 LBS
TẢI SÀN TỐI ĐA 30 LBS /FT²
KHÔNG ĐỂ VẬT SẮC CẠNH
CTR. COMPARTMENT - FWD
MAX WEIGHT 310 LBS
MAX FLOOR LOADING
30 LBS PER SQ. FT.
NO SHARP EDGES

2

DETAIL B

KHOANG SAU
TRỌNG LƯỢNG TỐI ĐA 280 LBS
TẢI SÀN TỐI ĐA 30 LBS /FT²
KHÔNG ĐỂ VẬT SẮC CẠNH
AFT COMPARTMENT
MAX WEIGHT 280 LBS
MAX FLOOR LOADING
30 LBS PER SQ. FT.
NO SHARP EDGES

4

DETAIL D

KHOANG TRUNG TÂM - SAU
TRỌNG LƯỢNG TỐI ĐA 270 LBS
TẢI SÀN TỐI ĐA 30 LBS /FT²
KHÔNG ĐỂ VẬT SẮC CẠNH
CTR. COMPARTMENT - AFT
MAX WEIGHT 270 LBS
MAX FLOOR LOADING
30 LBS PER SQ. FT.
NO SHARP EDGES

3

DETAIL C

2610T1031
 AA2605087-2

VIETNAM EXTERIOR PLACARDS AND MARKINGS - FUSELAGE
 FIGURE 01 (SHEET 1)

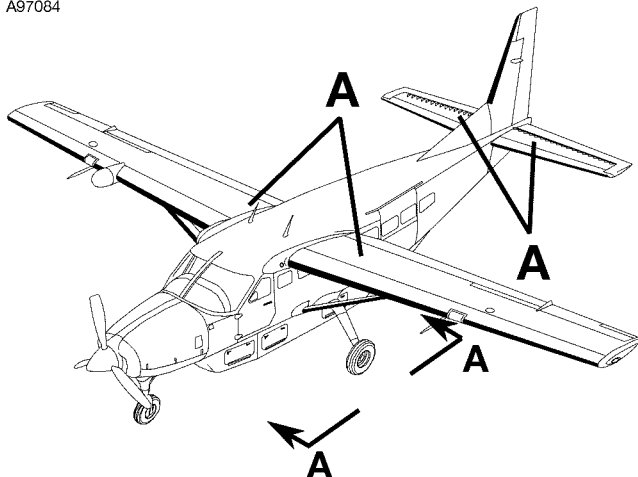
CESSNA®
MODEL 208
 ILLUSTRATED PARTS CATALOG

| FIG ITEM | PART NUMBER | NOMENCLATURE | UNITS PER ASSY | | |
|-------------|-------------|---|----------------------|------|------|
| | | | 1 | 2 | 3 |
| 01 | | | | | |
| - | | VIETNAM EXTERIOR PLACARDS AND MARKINGS - FUSELAGE | B5121 | & ON | RF R |
| 1 | S4419-19 | . PLACARD-FORWARD COMPARTMENT | | | 01 R |
| 2 | S4419-20 | . PLACARD-CTR FWD | | | 01 R |
| 3 | S4419-21 | . PLACARD-CTR AFT | | | 01 R |
| 4 | S4419-22 | . PLACARD-AFT COMPARTMENT | | | 01 R |
| 5 | S4419-23 | . PLACARD-DOOR OPEN | | | 08 R |
| 6 | S4419-24 | . PLACARD-DOOR LOCKED | | | 08 R |

- ITEM NOT ILLUSTRATED

CESSNA®
MODEL 208
 ILLUSTRATED PARTS CATALOG

A97084



**CHỐNG ĐÓNG BĂNG T.K.S.
 CHÚ Ý**

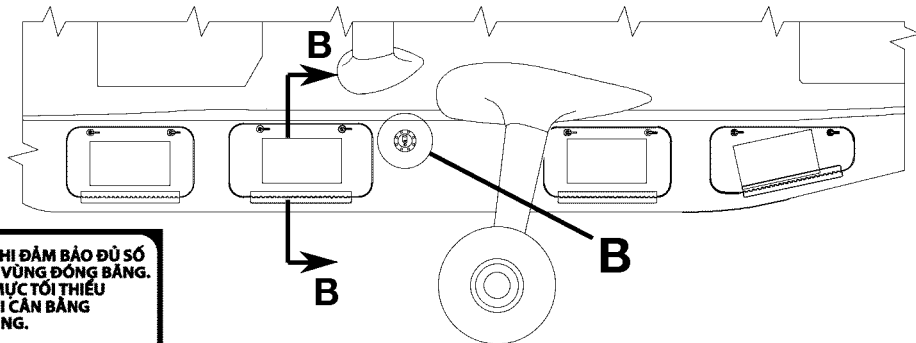
CÁC TẤM PHÁ BĂNG CÓ THỂ BỊ HỎNG DO MỘT SỐ DUNG MÔI NHẤT ĐỊNH.
 XEM PHẦN 8 T.K.S SỐ TAY PHI CÔNG

**T.K.S. ICE PROTECTION
 CAUTION**

POROUS DE-ICING PANELS MAY BE DAMAGED BY CERTAIN SOLVENTS.
 REFER TO SECTION 8 T.K.S. SUPPLEMENT OF THE PILOTS OPERATING HANDBOOK

5419-28

1
DETAIL A
 TYPICAL



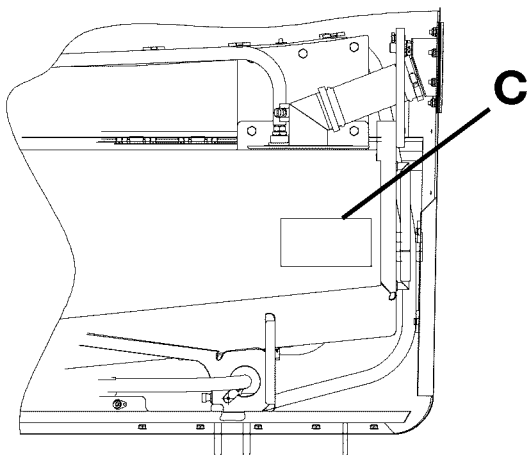
VIEW A-A

TKS SITE GAGE ĐƯỢC PHÊ CHUẨN CHỈ KHI ĐẢM BẢO ĐỦ SỐ LƯỢNG CHẤT LỎNG TRƯỚC KHI BAY VÀO VÙNG ĐÓNG BĂNG. LƯỢNG CHẤT LỎNG PHẢI Ở TRÊN MỨC TỐI THIỂU (11,7 GALLON MỸ). TÀU BAY PHẢI CÂN BẰNG ĐỂ ĐẢM BẢO CHỈ THỊ ĐÚNG.

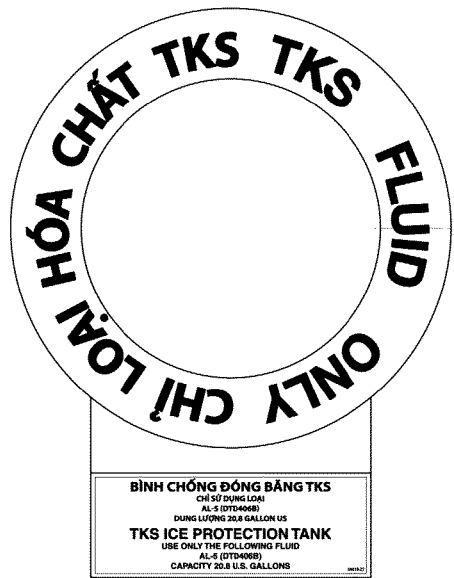
THE TKS SITE GAGE IS THE ONLY APPROVED MEANS OF ASSURING ADEQUATE FLUID QUANTITY PRIOR TO FLIGHT INTO KNOWN OR FORECAST ICING CONDITIONS. THE FLUID LEVEL BALL MUST BE ABOVE THE MINIMUM DISPATCH QUANTITY LINE (11.7 US GALLONS). THE AIRCRAFT MUST BE LEVEL TO ENSURE PROPER INDICATIONS.

5419-29

3
DETAIL C



VIEW B-B



2
DETAIL B

VIETNAM EXTERIOR PLACARDS AND MARKINGS - TKS
 FIGURE 02 (SHEET 1)

2610T1031
 AA2605087-2
 BB2605087-2

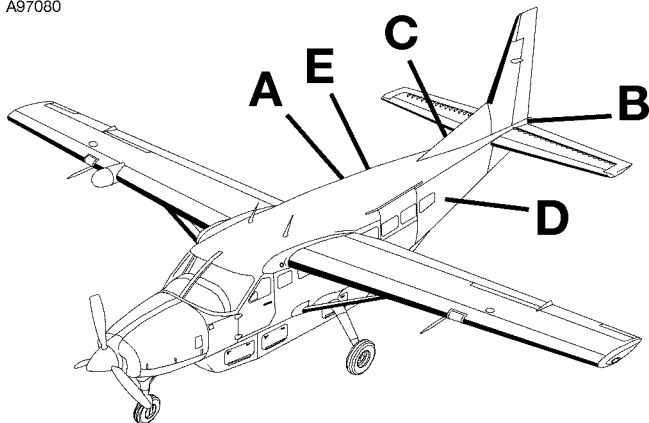
CESSNA®
MODEL 208
 ILLUSTRATED PARTS CATALOG

| FIG ITEM | PART NUMBER | NOMENCLATURE | UNITS PER ASSY | | |
|-------------|-------------|--|----------------------|------|------|
| | | | 1 | 2 | 3 |
| 02 | | | | | |
| - | | VIETNAM EXTERIOR PLACARDS AND MARKINGS - TKS | 0561 | & ON | RF R |
| | | | B5121 | & ON | |
| 1 | S4419-28 | . PLACARD-TKS ICE CAUTION | | | 04 R |
| 2 | S4419-27 | . PLACARD-TKS FILLER CAP | | | 01 R |
| 3 | S4419-29 | . PLACARD-TKS SITE GAUGE | | | 01 R |

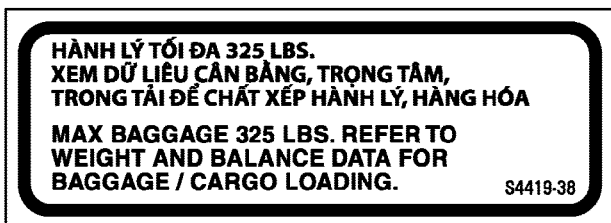
- ITEM NOT ILLUSTRATED

CESSNA®
MODEL 208
ILLUSTRATED PARTS CATALOG

A97080



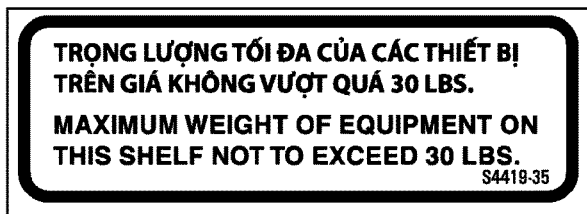
1
DETAIL A



5
DETAIL E



2
DETAIL B



4
DETAIL D



3
DETAIL C

2610T1031

VIETNAM EXTERIOR PLACARDS AND MARKINGS - EMPENNAGE AND REAR BAGGAGE
FIGURE 01 (SHEET 1)

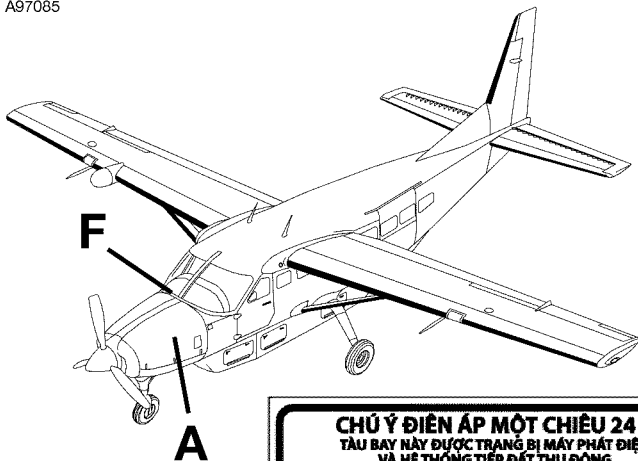
CESSNA®
MODEL 208
 ILLUSTRATED PARTS CATALOG

| FIG ITEM | PART NUMBER | NOMENCLATURE | UNITS PER ASSY | | |
|-------------|-------------|---|----------------------|-------|------|
| | | | 1 | 2 | 3 |
| 01 | | VIETNAM EXTERIOR PLACARDS AND MARKINGS - EMPENNAGE AND REAR | 0561 | & ON | RF |
| - | | BAGGAGE | B5121 | & ON | |
| 1 | S4419-25 | . PLACARD-OXYGEN FILLER DOOR | 0561 | 0584 | 01 R |
| | | | B5121 | B5288 | |
| 2 | S4419-26 | . PLACARD-UNLOCK BEFORE TAXI | | | 01 |
| 3 | S4419-30 | . PLACARD-ELT | | | 01 |
| 4 | S4419-35 | . PLACARD-SHELF | | | 01 |
| 5 | S4419-38 | . PLACARD-BAGGAGE LOADING | | | 01 |

- ITEM NOT ILLUSTRATED

CESSNA®
MODEL 208
 ILLUSTRATED PARTS CATALOG

A97085



CHÚY ĐIỆN ÁP MỘT CHIỀU 24 V
 TÀU BAY NÀY ĐƯỢC TRANG BỊ MÁY PHÁT ĐIỆN
 VÀ HỆ THỐNG TIẾP ĐẤT THỤ ĐỘNG
CHÚY CÁC CỰC ĐIỆN
 NỐI NGƯỢC SẼ LÀM HỎNG CÁC THIẾT BỊ ĐIỆN
CAUTION 24 VOLTS D.C.
 THIS AIRCRAFT IS EQUIPPED WITH GENERATOR AND
 A NEGATIVE GROUND SYSTEM
OBSERVE PROPER POLARITY
 REVERSE POLARITY WILL DAMAGE
 ELECTRICAL COMPONENTS 84419-38

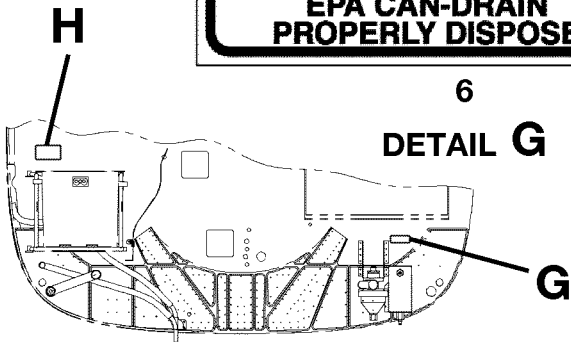
5

DETAIL H

EPA CAN-DRAIN
XỬ LÝ PHÙ HỢP
EPA CAN-DRAIN
PROPERLY DISPOSE 84419-32

6

DETAIL G

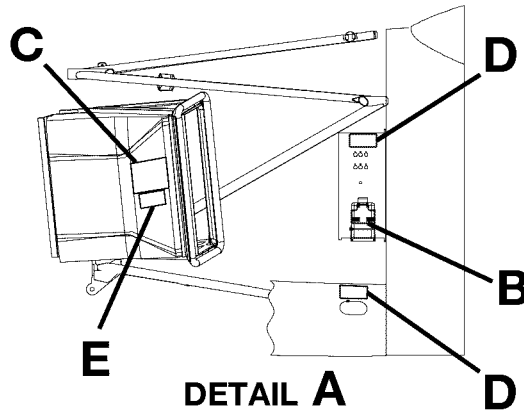


DETAIL F

TỔNG DUNG LƯỢNG DẦU ĐỘNG CƠ 14 QUARTS US.
 XÁ VÀ NÁP 9,5 QUARTS US
 LOẠI DẦU PHẪ CHUẨN : XEM SỐ TAY PHI CÔNG
 KHÔNG PHA TRỘN CÁC LOẠI DẦU.
ENGINE OIL
TOTAL CAPACITY 14 U.S. QUARTS
DRAIN & FILL 9.5 U.S. QUARTS
TYPE: SEE PILOT'S OPERATING HANDBOOK
FOR APPROVED OILS. DO NOT MIX BRANDS.
 SERVICED WITH _____ 84419-37

4

DETAIL E



DETAIL A

TỐI ĐA
MAX
BÌNH DẦU THỦY LỰC PHANH
BRAKE FLUID RESERVOIR
NÁP DẦU THỦY LỰC LOẠI MIL-H-5606
REFILL WITH MIL-H-5606 FLUID
TỐI THIỂU
MIN 84419-1

1

DETAIL B

CẢNH BÁO
WARNING
THÙNG DẦU TĂNG ÁP
PRESSURIZED OIL TANK
ĐẢM BẢO QUE THÂM DẦU ĐƯỢC BẢO HIỂM
ENSURE OIL DIPSTICK IS SECURE 84419-33

2

DETAIL C

NGUỒN ĐIỆN NGOÀI
28 V D.C. 800 AMPS
ĐỒNG TIÊU THỤ KHỞI ĐỘNG TỐI THIỂU
KHÔNG VƯỢT 1700 AMPS
EXTERNAL POWER
28 VOLTS D.C. NOMINAL 800 AMPS
STARTING CAPACITY MIN.
DO NOT EXCEED 1700 AMPS 84419-33

3

DETAIL D

VIETNAM EXTERIOR PLACARDS AND MARKINGS - COWLING
 FIGURE 01 (SHEET 1)

2610T1031
 A2605087-1
 B2605087-1

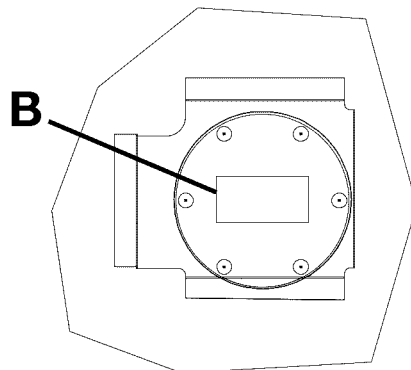
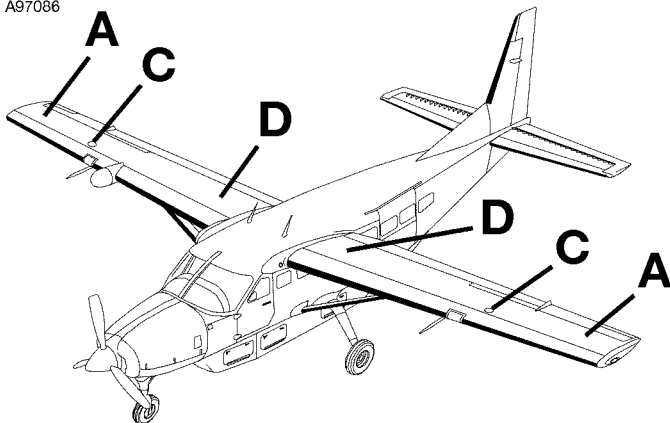
CESSNA®
MODEL 208
 ILLUSTRATED PARTS CATALOG

| FIG ITEM | PART NUMBER | NOMENCLATURE | UNITS PER ASSY | | |
|-------------|-------------|--|----------------------|------|------|
| | | | 1 | 2 | 3 |
| 01 | | | | | |
| - | | VIETNAM EXTERIOR PLACARDS AND MARKINGS - COWLING | 0561 | & ON | RF R |
| | | | B5121 | & ON | |
| 1 | S4419-1 | . PLACARD-BRAKE FLUID | | | 01 R |
| 2 | S4419-2 | . PLACARD-WARNING OIL TANK | | | 01 R |
| 3 | S4419-32 | . PLACARD-EPA CAN-DRAIN | 0561 | & ON | 01 R |
| 4 | S4419-33 | . PLACARD-EXTERNAL POWER | | | 02 R |
| 5 | S4419-36 | . PLACARD-POLARITY | | | 01 R |
| 6 | S4419-37 | . PLACARD-ENGINE OIL | | | 01 R |

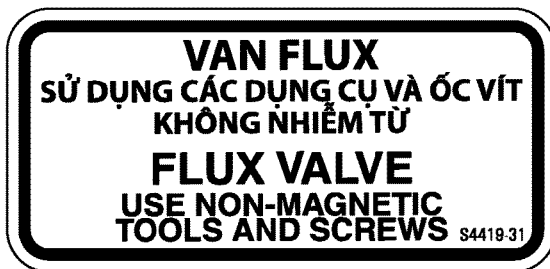
- ITEM NOT ILLUSTRATED

CESSNA®
MODEL 208
 ILLUSTRATED PARTS CATALOG

A97086



DETAIL A
 VIEW LOOKING UP



1
DETAIL B



3
DETAIL D



2
DETAIL C

2610T1031
 A2605087-1

VIETNAM EXTERIOR PLACARDS AND MARKINGS - WINGS
 FIGURE 01 (SHEET 1)

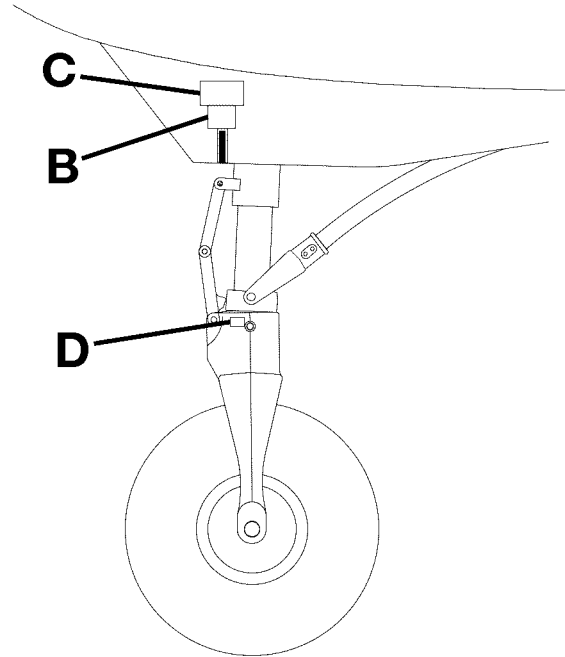
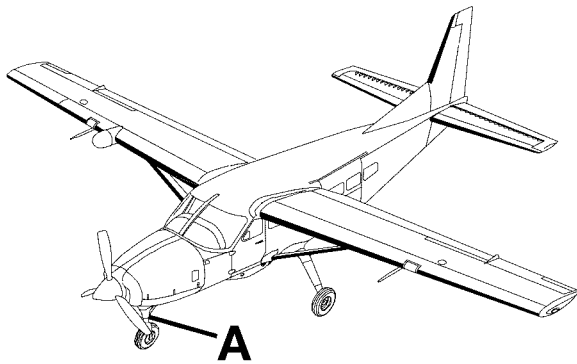
CESSNA®
MODEL 208
 ILLUSTRATED PARTS CATALOG

| FIG ITEM | PART NUMBER | NOMENCLATURE | UNITS PER ASSY | | |
|-------------|-------------|--|----------------------|------|------|
| | | | 1 | 2 | 3 |
| 01 | | | | | |
| - | | VIETNAM EXTERIOR PLACARDS AND MARKINGS - WINGS | 0561 | & ON | RF R |
| | | | B5121 | & ON | |
| 1 | S4419-31 | . PLACARD-FLUX VALVE | | | 02 R |
| 2 | S4419-39 | . PLACARD-FUEL CAPACITY | | | 02 R |
| 3 | S4419-40 | . PLACARD-INBD FUEL CAPACITY | | | 02 R |

- ITEM NOT ILLUSTRATED

CESSNA®
MODEL 208
ILLUSTRATED PARTS CATALOG

A97081



DETAIL A

**VỊ TRÍ KÉO
TUG TOW**
S4419-5

3
DETAIL D

**CẢNH BÁO
WARNING**
GIỚI HẠN KÉO DẮT TỐI ĐA
MAXIMUM TOW LIMIT
S4418-3

1
DETAIL B

**CHÚ Ý
CAUTION**
KHÔNG KÉO MÁY BAY KHI KHÓA
BÁNH LÁI ĐUÔI
DO NOT TOW AIRCRAFT WITH
RUDDER LOCK ENGAGED S4418-4

2
DETAIL C

VIETNAM EXTERIOR PLACARDS AND MARKINGS - LANDING GEAR
FIGURE 01 (SHEET 1)

2610T1032
A265087-1

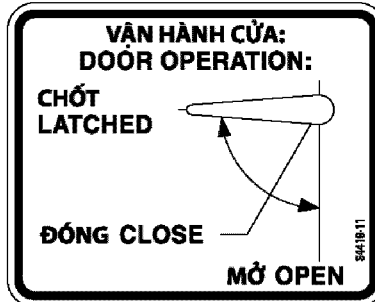
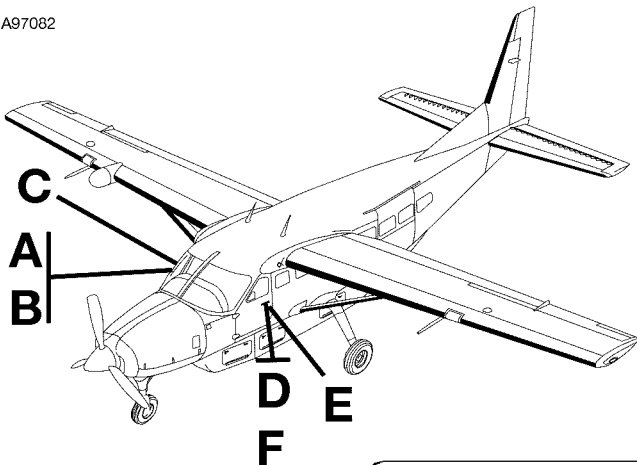
CESSNA®
MODEL 208
 ILLUSTRATED PARTS CATALOG

| FIG ITEM | PART NUMBER | NOMENCLATURE | UNITS PER ASSY | | |
|-------------|-------------|---|----------------------|------|------|
| | | | 1 | 2 | 3 |
| 01 | | | | | |
| - | | VIETNAM EXTERIOR PLACARDS AND MARKINGS - LANDING GEAR | 0561 | & ON | RF R |
| | | | B5121 | & ON | |
| 1 | S4419-3 | . PLACARD-TOW LIMIT | | | 02 R |
| 2 | S4419-4 | . PLACARD-RUDDER LOCK | | | 02 R |
| 3 | S4419-5 | . PLACARD-TUG TOW | | | 02 R |

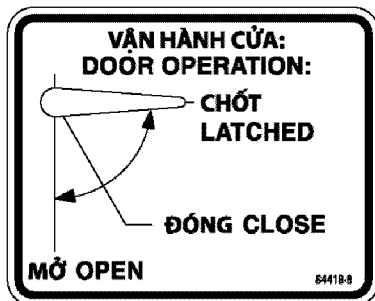
- ITEM NOT ILLUSTRATED

CESSNA®
MODEL 208
 ILLUSTRATED PARTS CATALOG

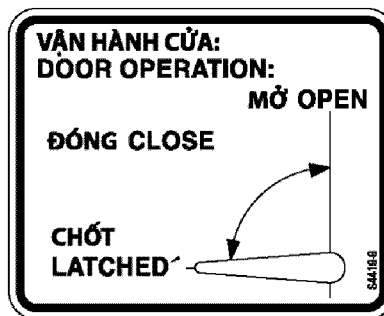
A97082



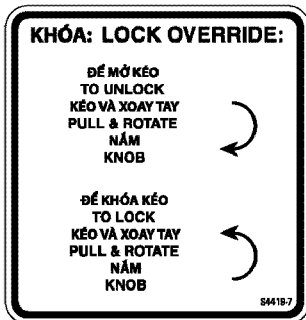
1
 DETAIL A



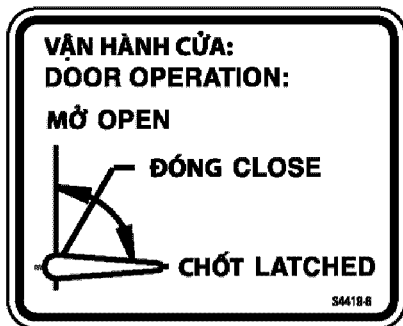
6
 DETAIL F



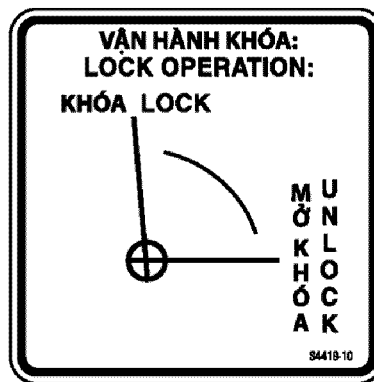
2
 DETAIL B
 VIEW LOOKING OUTBOARD
 AT COPILOT'S DOOR



5
 DETAIL E
 VIEW LOOKING OUTBOARD
 AT PILOT'S DOOR



4
 DETAIL D
 VIEW LOOKING OUTBOARD
 AT PILOT'S DOOR



3
 DETAIL C
 VIEW LOOKING OUTBOARD
 AT COPILOT'S DOOR

VIETNAM INTERIOR PLACARDS AND MARKINGS - CABIN DOORS
 FIGURE 01 (SHEET 1)

2610T1031

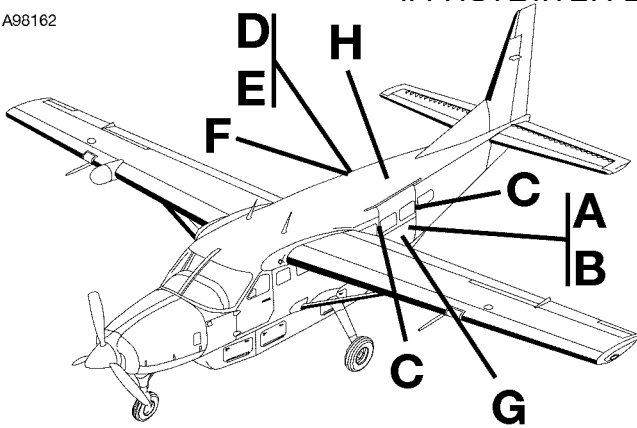
CESSNA®
MODEL 208
 ILLUSTRATED PARTS CATALOG

| FIG ITEM | PART NUMBER | NOMENCLATURE | UNITS PER ASSY | | |
|-------------|-------------|--|----------------------|-------------------------|------|
| | | | 1 | 2 | 3 |
| 01 | | | | | |
| - | | VIETNAM INTERIOR PLACARDS AND MARKINGS - CABIN DOORS | | 0561 & ON B5121 & ON | RF R |
| 1 | S4419-11 | . PLACARD-DOOR OPERATION COPILOT DOOR | | | 01 R |
| 2 | S4419-9 | . PLACARD-DOOR OPERATION COPILOT DOOR | | | 01 R |
| 3 | S4419-10 | . PLACARD-LOCK OPERATION COPILOT DOOR | | | 01 R |
| 4 | S4419-6 | . PLACARD-DOOR OPERAION PILOT DOOR | | | 01 R |
| 5 | S4419-7 | . PLACARD-LOCK OPERATION PILOT DOOR | | | 01 R |
| 6 | S4419-8 | . PLACARD-DOOR OPERATION PILOT DOOR | | | 01 R |

- ITEM NOT ILLUSTRATED

CESSNA®
MODEL 208
 ILLUSTRATED PARTS CATALOG

A98162



77

DETAIL F

VIEW LOOKING OUTBOARD AT PASSENGER DOOR RH SIDE



82

DETAIL G

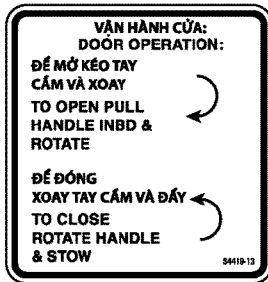
VIEW LOOKING DOWN ON TOP OF LOWER CARGO DOOR



78

DETAIL A

VIEW LOOKING OUTBOARD AT CARGO DOOR



76

DETAIL E

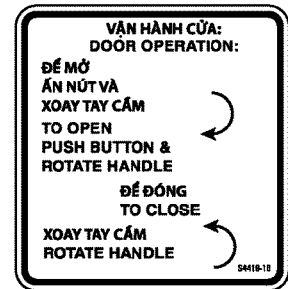
VIEW LOOKING OUTBOARD AT PASSENGER DOOR RH SIDE



81

DETAIL H

VIEW LOOKING DOWN ON TOP OF RIGHT LOWER PASSENGER DOOR



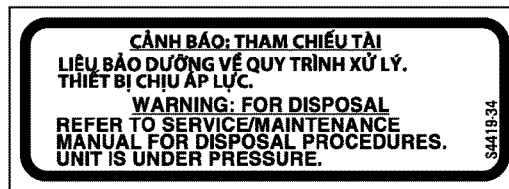
79

DETAIL B



75

DETAIL D



80

DETAIL C

VIETNAM INTERIOR PLACARDS AND MARKINGS - CABIN DOORS
 FIGURE 01 (SHEET 2)

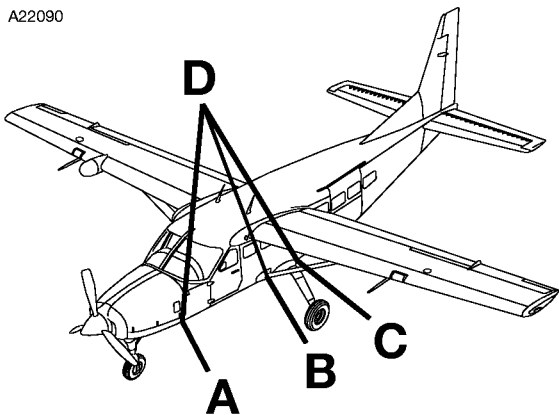
2610T1031

CESSNA®
MODEL 208
 ILLUSTRATED PARTS CATALOG

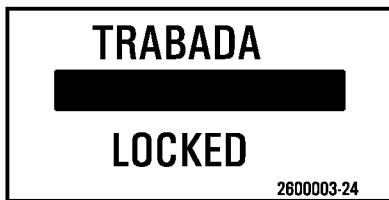
| FIG ITEM | PART NUMBER | NOMENCLATURE | UNITS |
|-------------|-------------|---|-------------|
| | | | PER ASSY |
| | | 1 2 3 4 5 6 7 | |
| 01 | | | |
| 75 | S4419-12 | . PLACARD-DOOR OPERATION PASSENGER DOOR | 01 R |
| 76 | S4419-13 | . PLACARD-DOOR OPERATION PASSENGER DOOR | 01 R |
| 77 | S4419-14 | . PLACARD-OUTSIDE PROXIMTY | 02 R |
| 78 | S4419-17 | . PLACARD-DOOR OPERATION CARGO DOOR | 01 R |
| 79 | S4419-16 | . PLACARD-DOOR OPERATION CARGO DOOR | 01 R |
| 80 | S4419-34 | . PLACARD-AIR CYLINDER | 04 R |
| 81 | S4419-15 | . PLACARD-DOOR OPERATION LOWER PASSENGER DOOR | 01 R |
| 82 | S4419-18 | . PLACARD-DOOR OPERATION LOWER CARGO DOOR | 01 R |

CESSNA®
MODEL 208
 ILLUSTRATED PARTS CATALOG

A22090



9
DETAIL D



7
DETAIL D

COMPARTIMIENTO TRASERO
PESO MAXIMO 127 KG.
 MAXIMA CARGA EN EL PISO
 147 KG/M²
 NO COLOCAR ELEMENTOS CORTANTES
 O CON PUNTAS AGUDAS
 AFT COMPARTMENT
MAX. WEIGHT 280 LBS.
 MAX. FLOOR LOADING
 30 LBS. PER SQ. FT.
 NO SHARP EDGES

5
DETAIL C

COMPARTIMIENTO DELANTERO
PESO MAXIMO 105 KG.
 MAXIMA CARGA EN EL PISO
 147 KG/M²
 NO COLOCAR ELEMENTOS CORTANTES
 O CON PUNTAS AGUDAS
 FWD COMPARTMENT
MAX. WEIGHT 230 LBS.
 MAX. FLOOR LOADING
 30 LBS. PER SQ. FT.
 NO SHARP EDGES

1
DETAIL A

COMPARTIMIENTO CENTRAL
PESO MAXIMO 140 KG.
 MAXIMA CARGA EN EL PISO
 147 KG/M²
 NO COLOCAR ELEMENTOS CORTANTES
 O CON PUNTAS AGUDAS
 CTR COMPARTMENT
MAX. WEIGHT 310 LBS.
 MAX. FLOOR LOADING
 30 LBS. PER SQ. FT.
 NO SHARP EDGES

2
DETAIL B

COMPARTIMIENTO CENTRAL ADELANTE
PESO MAXIMO 140 KG.
 MAXIMA CARGA EN EL PISO
 147 KG/M²
 NO COLOCAR ELEMENTOS CORTANTES
 O CON PUNTAS AGUDAS
 CTR COMPARTMENT-FWD
MAX. WEIGHT 310 LBS.
 MAX. FLOOR LOADING
 30 LBS. PER SQ. FT.
 NO SHARP EDGES

3
DETAIL B

COMPARTIMIENTO CENTRAL TRASERO
PESO MAXIMO 122 KG.
 MAXIMA CARGA EN EL PISO
 147 KG/M²
 NO COLOCAR ELEMENTOS CORTANTES
 O CON PUNTAS AGUDAS
 CTR COMPARTMENT-AFT
MAX. WEIGHT 270 LBS.
 MAX. FLOOR LOADING
 30 LBS. PER SQ. FT.
 NO SHARP EDGES

4
DETAIL C

261077005

MEXICAN EXTERIOR PLACARDS AND MARKINGS - FUSELAGE
 FIGURE 01 (SHEET 1)

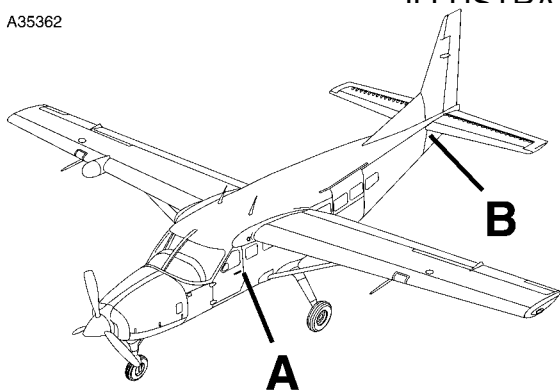
CESSNA®
MODEL 208
 ILLUSTRATED PARTS CATALOG


| FIG ITEM | PART NUMBER | NOMENCLATURE | UNITS |
|-------------|-------------|---|-------------|
| | | | PER ASSY |
| | | 1 2 3 4 5 6 7 | |
| 01 | | MEXICAN EXTERIOR PLACARDS AND MARKINGS - FUSELAGE | RF |
| - | | | |
| 1 | 2600003-28 | . SILKSCREEN ASSY-WEIGHT LIMIT FWD COMPARTMENT | 01 |
| 2 | 2600003-79 | . SILKSCREEN ASSY-WEIGHT LIMIT CENTER COMPARTMENT 208 | 01 |
| 3 | 2600003-29 | . SILKSCREEN ASSY-WEIGHT LIMIT FWD CENTER COMPARTMENT 208B | 01 |
| 4 | 2600003-30 | . SILKSCREEN ASSY-WEIGHT LIMIT AFT CENTER COMPARTMENT 208B | 01 |
| 5 | 2600003-31 | . SILKSCREEN ASSY-WEIGHT LIMIT AFT COMPARTMENT 208 | 01 |
| - 6 | 2600003-31 | . SILKSCREEN ASSY-WEIGHT LIMIT AFT COMPARTMENT 208B | 01 |
| 7 | 2600003-24 | . PLACARD ASSY-POD DOOR LOCKED FWD, CENTER, AFT 208 | 06 |
| - 8 | 2600003-24 | . PLACARD ASSY-POD DOOR LOCKED FWD, FWD CENTER, AFT CENTER, AFT 208B | 08 |
| 9 | 2600003-23 | . PLACARD ASSY-POD DOOR OPEN FWD, CENTER, AFT 208 | 06 |
| - 10 | 2600003-23 | . PLACARD ASSY-POD DOOR OPEN FWD, FWD CENTER, AFT CENTER, AFT 208B | 08 |

- ITEM NOT ILLUSTRATED


CESSNA®
MODEL 208
 ILLUSTRATED PARTS CATALOG

A35362




| | | |
|--------------------------------|------------|---|
| Aircraft Identification | |  Cessna Manufactured by Textron Aviation Inc. Wichita, KS USA |
| UNIT NO. | SERIAL NO. | |
| TC | PC 4 | |
| MODEL | | |


75B
 DETAIL B

| |
|---|
|  Cessna MANUFACTURED BY CESSNA AIRCRAFT COMPANY WICHITA KANSAS |
| TC |
| PC |
| MODEL |
| SERIAL NO. |

75
 DETAIL A

| | | |
|--------------------------------|------------|---|
| Aircraft Identification | |  Cessna A Textron Company Manufactured By Cessna Aircraft Company Wichita, Kansas |
| UNIT NO. | SERIAL NO. | |
| TC | PC | |
| MODEL | | |

75A
 DETAIL B

| | | |
|--|------------|---|
| Aircraft Identification | |  Cessna Manufactured by Textron Aviation Inc. Wichita, KS USA |
| UNIT NO. | SERIAL NO. | |
| TC | PC 4 | |
| MODEL | | |
| THIS PRODUCT OR COMPONENTS THEREOF MAY BE COVERED BY ONE OR MORE PATENTS OR PENDING APPLICATIONS. SEE: TXTAV.COM/PATENTS FOR DETAILS. | | |

75C
 DETAIL B

2610T7005

MEXICAN EXTERIOR PLACARDS AND MARKINGS - FUSELAGE
 FIGURE 01 (SHEET 2)

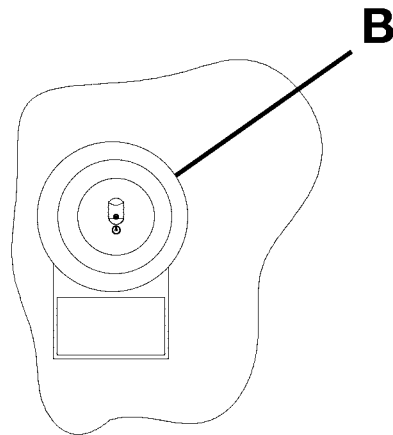
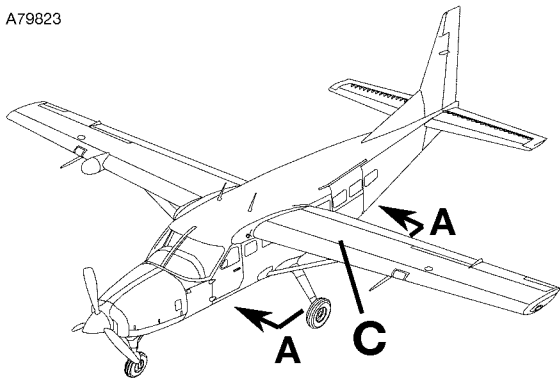
CESSNA®
MODEL 208
 ILLUSTRATED PARTS CATALOG

| FIG ITEM | PART NUMBER | NOMENCLATURE | UNITS PER ASSY | | |
|-------------|-------------|---|----------------------|-------|------|
| | | | 1 | 2 | 3 |
| 01 | | | | | |
| 75 | S2222-1 | . NAMEPLATE-AIRCRAFT IDENTIFICATION REFER TO NOTE 1 | 0001 | 0128 | 01 R |
| | | | B0001 | B0076 | |
| 75A | S2807-1 | . NAMEPLATE-REFER TO NOTE 1 | 0129 | 0572 | 01 |
| | | | B0077 | B5223 | |
| 75B | S4441-1 | . NAMEPLATE-REFER TO NOTE 1 | 0573 | 0616 | 01 |
| | | | B5224 | B5474 | |
| 75C | S4441-11 | . NAMEPLATE-REFER TO NOTE 1 | 0617 | & ON | 01 |
| | | | B5475 | & ON | |

NOTE 1—WHEN ORDERING PART, OWNER MUST SEND A NOTORIZED DOCUMENT STATING REASON FOR ORDERING A NEW ID PLATE, TYPE CERTIFICATE NUMBER, PRODUCTION CERTIFICATE NUMBER, ID PLATE NUMBER, AND MODEL NUMBER. OLD ID PLATE FROM AIRPLANE SHOULD BE ATTACHED TO THE ORDER, IF AVAILABLE. IF NOT ATTACHED, NEW PLATE WILL BE STAMPED "DUPLICATE".

CESSNA®
MODEL 208
 ILLUSTRATED PARTS CATALOG

A79823



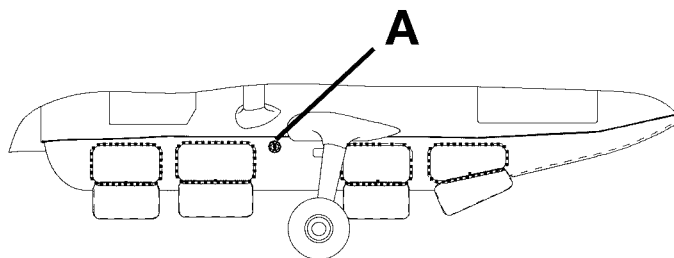
DETAIL A

THE TKS SITE GAGE IS THE ONLY APPROVED MEANS OF ASSURING ADEQUATE FLUID QUANTITY PRIOR TO FLIGHT INTO KNOWN OR FORECAST ICING CONDITIONS. THE FLUID LEVEL BALL MUST BE ABOVE THE MINIMUM DISPATCH QUANTITY LINE (11.7 U.S. GALLONS). THE AIRCRAFT MUST BE LEVEL TO ENSURE PROPER INDICATIONS.

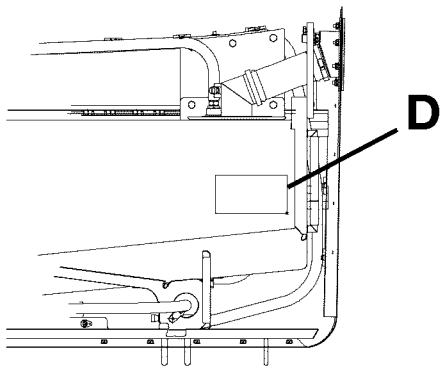
EL INDICADOR DE NIVEL TKS ES EL UNICO MÉTODO APROBADO DE ASEGURAR LA CANTIDAD DE FLUIDO ADECUADO ANTES DE VUELO EN CONDICIONES CONOCIDAS O PRONOSTICADAS DE FORMACIÓN DE HIELO. EL NIVEL DE BOLA DEL FLUIDO TIENE QUE ESTAR POR ENCIMA DE LA CANTIDAD MÍNIMA PARA DESPACHO (11.7 GALONES US). EL AVION DEBE ESTAR NIVELADO PARA ASEGURAR INDICACIÓN APROPIADA.

2600803-85

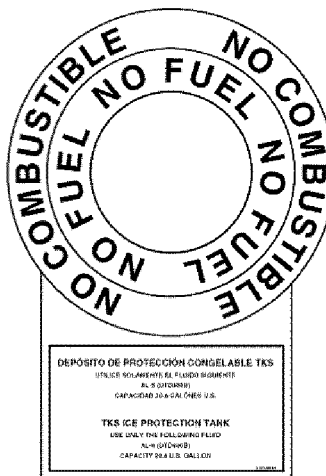
**2
 DETAIL D**



VIEW A-A



DETAIL C



**1
 DETAIL B**

**MEXICAN EXTERIOR PLACARDS AND MARKINGS - TKS
 FIGURE 02 (SHEET 1)**

2610T7005
 A2614T1428
 C2614T1430
 AA2614T1429

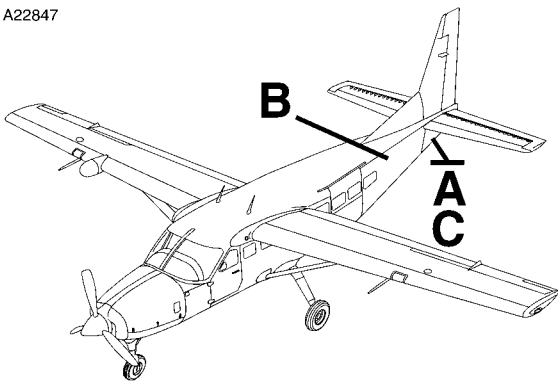
CESSNA®
MODEL 208
 ILLUSTRATED PARTS CATALOG


| FIG ITEM | PART NUMBER | NOMENCLATURE | UNITS PER ASSY | | |
|---|-------------|--|----------------------|------|----|
| | | | 1 | 2 | 3 |
| 02 | | | | | |
| - | | MEXICAN EXTERIOR PLACARDS AND MARKINGS - TKS | B2021 | & ON | RF |
| 1 | 2600003-84 | . PLACARD-TKS FILLER CAP REFER TO NOTE 1 | | | NP |
| 2 | 2600003-85 | . PLACARD-TKS OPERATION LIMIT | | | 01 |
| NOTE 1—USE (2) 2600003-87, (1) 2600003-86, AND (1) 7000-50 IN PLACE OF 2600003-84 | | | | | R |

- ITEM NOT ILLUSTRATED

CESSNA®
MODEL 208
 ILLUSTRATED PARTS CATALOG

A22847




| Aircraft Identification | |  Cessna A Textron Company Manufactured By Cessna Aircraft Company Wichita, Kansas |
|-------------------------|------------|--|
| UNIT NO. | SERIAL NO. | |
| TC | PC | |
| MODEL | | |


1
DETAIL A

| | |
|---|------------|
| ABASTECIMIENTO DE OXIGENO OXYGEN FILLER DOOR | 2600003-17 |
|---|------------|

3
DETAIL B

| Aircraft Identification | |  Cessna Manufactured by Textron Aviation Inc. Wichita, KS USA |
|-------------------------|------------|---|
| UNIT NO. | SERIAL NO. | |
| TC | PC 4 | |
| MODEL | | |

1A
DETAIL A


| Aircraft Identification | |  Cessna Manufactured by Textron Aviation Inc. Wichita, KS USA |
|-------------------------|------------|--|
| UNIT NO. | SERIAL NO. | |
| TC | PC 4 | |
| MODEL | | |

THIS PRODUCT OR COMPONENTS THEREOF MAY BE COVERED BY ONE OR MORE PATENTS OR PENDING APPLICATIONS. SEE: TXTAV.COM/PATENTS FOR DETAILS.

1B
DETAIL A

| | |
|---|-----------|
| ELT INSTALADO DETRAS DE ESTA SUPERFICIE ELT IS LOCATED BEHIND THIS SURFACE | 2600003-1 |
|---|-----------|

2
DETAIL B

| | | | |
|---|---|--|------------|
| DESTABAR ANTES DEL VUELO |  | TRABADA LOCK DESTABADA UNLOCK | 2600003-59 |
|---|---|--|------------|

4
DETAIL C

| |
|---|
| UNLOCK BEFORE TAXI AND FLIGHT |
|---|

MEXICAN EXTERIOR PLACARDS AND MARKINGS - EMPENNAGE AND REAR BAGGAGE
 FIGURE 01 (SHEET 1)

2610T7005

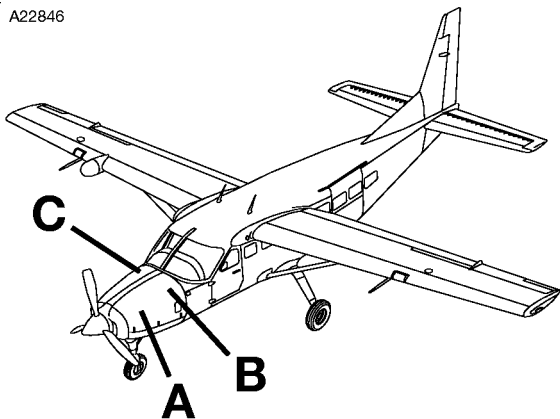
CESSNA®
MODEL 208
 ILLUSTRATED PARTS CATALOG

| FIG ITEM | PART NUMBER | NOMENCLATURE | UNITS PER ASSY | | |
|-------------|-------------|---|----------------------|-------|------|
| | | | 1 | 2 | 3 |
| 01 | | MEXICAN EXTERIOR PLACARDS AND MARKINGS - EMPENNAGE AND REAR BAGGAGE | | | RF |
| - | | | | | |
| 1 | S2807-1 | . NAMEPLATE-EXTERIOR AIRCRAFT IDENTIFICATION REFER TO NOTE 1 . . . | 0129 | 0572 | 01 |
| | | | B0077 | B5223 | |
| 1A | S4441-1 | . NAMEPLATE-REFER TO NOTE 1 | 0573 | 0616 | 01 R |
| | | | B5224 | B5474 | |
| 1B | S4441-11 | . NAMEPLATE-REFER TO NOTE 1 | 0617 | & ON | 01 R |
| | | | B5475 | & ON | |
| 2 | 2600003-1 | . PLACARD ASSY-ELT LOCATION | | | 01 |
| 3 | 2600003-17 | . PLACARD ASSY-OXYGEN FILL DOOR | | | 01 |
| 4 | 2600003-59 | . PLACARD ASSY-RUDDER LOCK | | | 01 |

NOTE 1—WHEN ORDERING PART, OWNER MUST SEND A NOTORIZED DOCUMENT STATING REASON FOR ORDERING A NEW ID PLATE, TYPE CERTIFICATE NUMBER, PRODUCTION CERTIFICATE NUMBER, ID PLATE NUMBER, AND MODEL NUMBER. OLD ID PLATE FROM AIRPLANE SHOULD BE ATTACHED TO THE ORDER, IF AVAILABLE. IF NOT ATTACHED, NEW PLATE WILL BE STAMPED "DUPLICATE".

CESSNA®
MODEL 208
 ILLUSTRATED PARTS CATALOG

A22846



CORRIENTE EXTERNA
 28 VOLTIOS D.C. NOMINAL DE 800 AMPERIOS.
 CAPACIDAD MINIMADE ENCENDIDO.
 NO EXCEDA 1700 AMPERIOS.
EXTERNAL POWER
 28 VOLTS D.C. NOMINAL 800 AMPS STARTING
 CAPACITY MIN. DO NOT EXCEED 1700 AMPS
 2600003-57

1
DETAIL A

PRECAUCION 24 VOLTIOS D.C.
 ESTA AERONAVE ESTA EQUIPADA CON
 GENERADOR Y UN SISTEMA DE TIERRA
 NEGATIVE
OBSERVE LA POLARIDAD ADECUADA
 POLARIDAD REVERSA PODRIA DAÑAR
 LOS COMPONENTES ELECTRICOS
CAUTION 24 VOLTS D.C.
 THIS AIRCRAFT IS EQUIPPED WITH
 GENERATOR AND A NEGATIVE GROUND SYSTEM.
OBSERVE PROPER POLARITY
 REVERSE POLARITY WILL DAMAGE
 ELECTRICAL COMPONENTS.
 2600003-44

7
DETAIL C

ACEITE DE MOTOR.
 CAPACIDAD TOTAL 14 U.S. QUARTOS.
 DRENE Y LLENAR CON 9.5 U.S. QUARTOS
 TIPO: CONSULTE EL MANUAL DE OPERACION DEL
 PILOTO PARA ACEITES APROVADOS. NO MESCLE
 MARCAS SIRVACE ICON: _____
ENGINE OIL
 TOTAL CAPACITY 14 U.S. QUARTS
 DRAIN AND FILL 9.5 U.S. QUARTS
 TYPE: SEE PILOT'S OPERATING HANDBOOK
 FOR APPROVED OILS. DO NOT MIX BRANDS.
 SERVICED WITH: _____
 2600003-50

2
DETAIL A

CONTENDOR EPA
DRENE Y BOTE
APROPIADAMENTE
EPA CAN DRAIN
PROPERLY DISPOSE
 2600003-25

6
DETAIL B

MAX
TANQUE CON FLUIDO PARA FRENO
BRAKE FLUID RESERVOIR
RECARGAR SOLAMENTE CON FLUIDO
MIL-H-5606.
 MIN
REFILL WITH MIL-H-5606 FLUID
 2600003-22

3
DETAIL A

FILTRO DE
COMBUSTIBLE.
DRENARSE A
DIARIO.
FUEL FILTER
DRAIN DAILY
 2600003-54

5
DETAIL B

ADVERTENCIA
TANQUE DE ACEITE PRESURIZADO
 VERIFIQUE QUE LA VARILLA
 MEDIDORA DE ACEITE ESTE
 ASEGURADA
WARNING
PRESSURIZED OIL TANK
ENSURE OIL DIPSTICK IS SECURE
 2600003-32

4
DETAIL A

26107005

MEXICAN EXTERIOR PLACARDS AND MARKINGS - COWLING
 FIGURE 01 (SHEET 1)

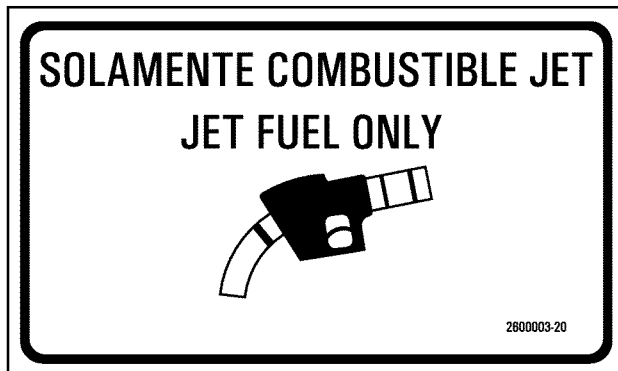
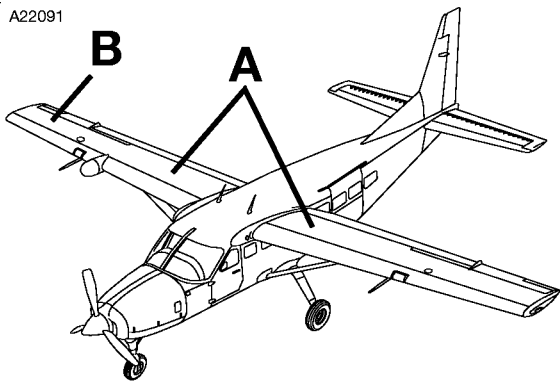
CESSNA®
MODEL 208
 ILLUSTRATED PARTS CATALOG

| FIG ITEM | PART NUMBER | NOMENCLATURE | UNITS |
|-------------|-------------|--|-------------|
| | | | PER ASSY |
| 01 | | | |
| - | | MEXICAN EXTERIOR PLACARDS AND MARKINGS - COWLING | RF R |
| 1 | 2600003-57 | . PLACARD ASSY-EXTERNAL POWER | 01 |
| 2 | 2600003-50 | . PLACARD-ENGINE OIL CAPACITY | 01 |
| 3 | 2600003-22 | . PLACARD ASSY-BRAKE FLUID RESERVOIR | 01 |
| 4 | 2600003-32 | . PLACARD-OIL TANK | 01 |
| 5 | 2600003-54 | . PLACARD ASSY-FUEL FILTER | 01 |
| 6 | 2600003-25 | . PLACARD ASSY-EPA CAN | 01 |
| 7 | 2600003-44 | . PLACARD ASSY-BATTERY | 01 |

- ITEM NOT ILLUSTRATED

CESSNA®
MODEL 208
ILLUSTRATED PARTS CATALOG

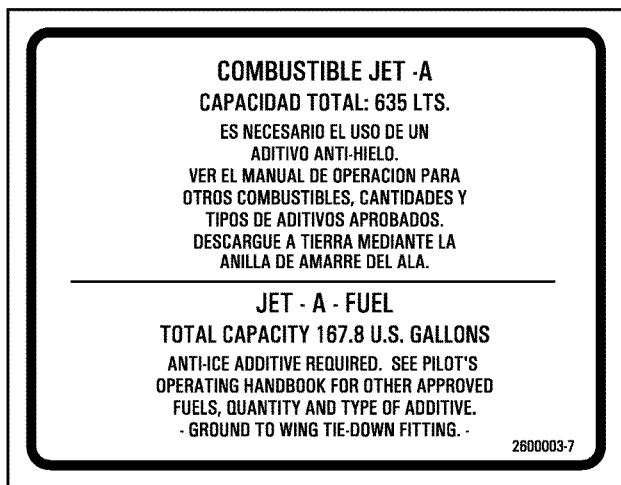
A22091



1
DETAIL A



3
DETAIL B



2
DETAIL A

2610T7005

MEXICAN EXTERIOR PLACARDS AND MARKINGS - WINGS
FIGURE 01 (SHEET 1)

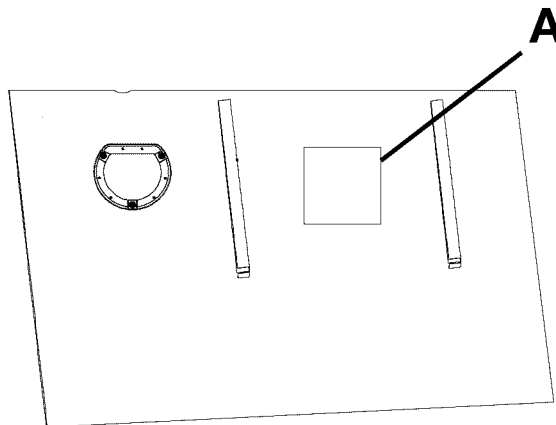
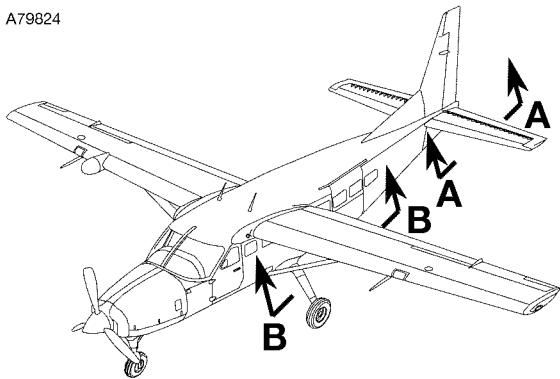
CESSNA®
MODEL 208
 ILLUSTRATED PARTS CATALOG

| FIG ITEM | PART NUMBER | NOMENCLATURE | UNITS PER ASSY | | |
|-------------|-------------|--|----------------------|-------|------|
| | | | 1 | 2 | 3 |
| 01 | | | | | |
| - | | MEXICAN EXTERIOR PLACARDS AND MARKINGS - WINGS | | | RF R |
| 1 | 2600003-20 | . PLACARD ASSY-JET FUEL | | | 02 |
| 2 | 2600003-7 | . PLACARD ASSY-JET A FUEL | | | 02 |
| 3 | 2600003-51 | . PLACARD ASSY-FLUX VALVE | 0001 | 0499 | 01 R |
| | | | B0001 | B1999 | |
| - 3A | 2600003-51 | . PLACARD ASSY-FLUX VALVE | 0505 | & ON | 02 R |
| | | | B2021 | & ON | |
| - 4 | 2600003-81 | . PLACARD ASSY-INBD FUEL OPTION | | | 02 |

- ITEM NOT ILLUSTRATED

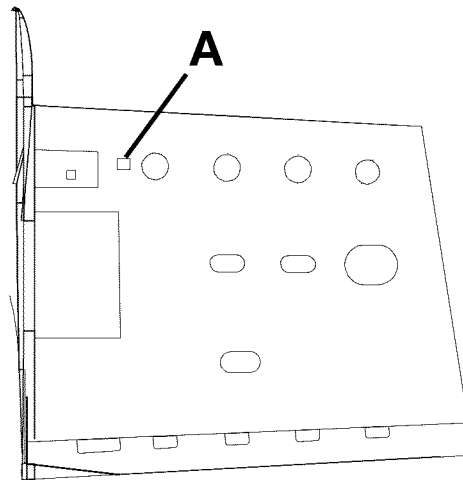
CESSNA®
MODEL 208
 ILLUSTRATED PARTS CATALOG

A79824



VIEW A-A

| |
|--|
| <p>PROTECCION CONGELABLE TKS</p> <p>AVISO</p> <p>CIERTOS DISOLVENTES PUEDEN DAÑAR LOS PANELES POROSOS DE ANTIHIELO CONSULTE SECCIÓN 8 DEL SUPLEMENTO TKS DEL MANUAL DE VUELO</p> <p>T.K.S. ICE PROTECTION</p> <p>CAUTION</p> <p>POROUS DE-ICING PANELS MAY BE DAMAGED BY CERTAIN SOLVENTS. REFER TO SECTION 8 OF T.K.S. SUPPLEMENT TO PILOTS OPERATING HANDBOOK</p> <p style="text-align: right;"><small>2600003-63</small></p> |
|--|



VIEW B-B

1
DETAIL A

2610T7005
 AA2614T1426
 BB2614T1427

MEXICAN EXTERIOR PLACARDS AND MARKINGS - TKS
 FIGURE 02 (SHEET 1)

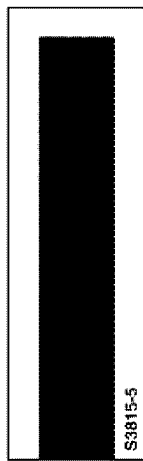
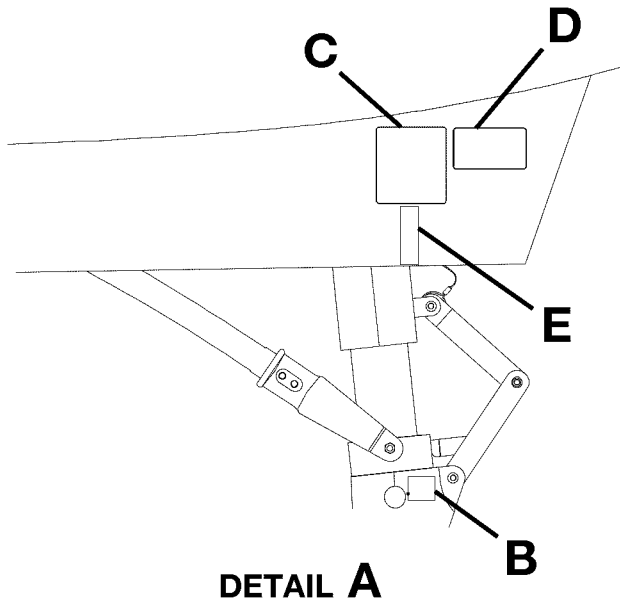
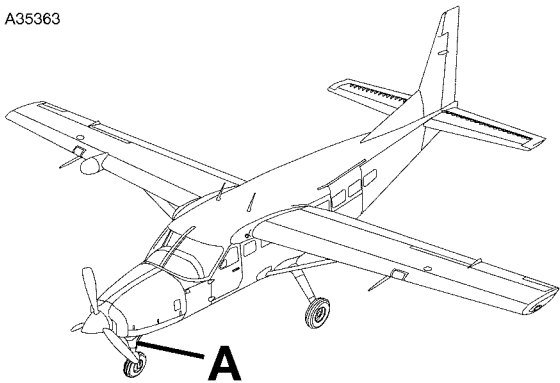
CESSNA®
MODEL 208
 ILLUSTRATED PARTS CATALOG

| FIG ITEM | PART NUMBER | NOMENCLATURE | UNITS PER ASSY | | |
|-------------|-------------|---|----------------------|------|------|
| | | | 1 | 2 | 3 |
| 02 | | | | | |
| - | | MEXICAN EXTERIOR PLACARDS AND MARKINGS - TKS | B2021 | & ON | RF R |
| 1 | 2600003-83 | . PLACARD-SOLVENT CAUTION-LH AND RH | | | 04 R |

- ITEM NOT ILLUSTRATED

CESSNA®
MODEL 208
 ILLUSTRATED PARTS CATALOG

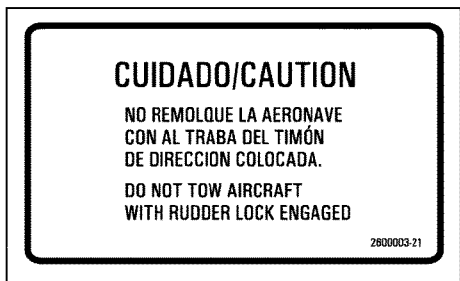
A35363



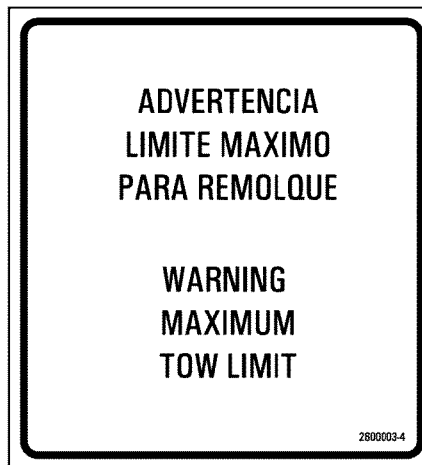
4
DETAIL E



1
DETAIL B



3
DETAIL D



2
DETAIL C

MEXICAN EXTERIOR PLACARDS AND MARKINGS - LANDING GEAR
 FIGURE 01 (SHEET 1)

2610T7005
 A2614T1425

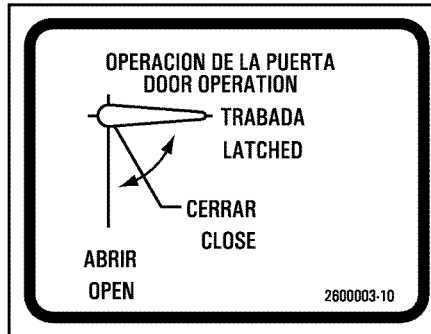
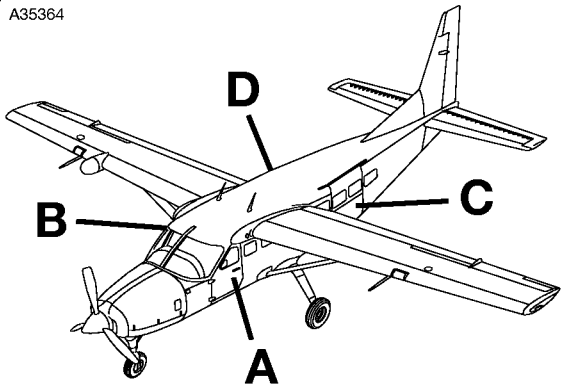
CESSNA®
MODEL 208
 ILLUSTRATED PARTS CATALOG

| FIG ITEM | PART NUMBER | NOMENCLATURE | UNITS PER ASSY | |
|-------------|-------------|---|----------------------|------|
| | | | 1 2 3 4 5 6 7 | |
| 01 | | MEXICAN EXTERIOR PLACARDS AND MARKINGS - LANDING GEAR | | RF |
| - | | . PLACARD ASSY-TUG TOW | | 02 |
| 1 | 2600003-33 | . PLACARD ASSY-TOW LIMIT | | 02 |
| 2 | 2600003-4 | . PLACARD ASSY-RUDDER LOCK CAUTION | | 02 |
| 3 | 2600003-21 | . PLACARD - RED STRIPE FSO S4498-13 | 0505 & ON | 02 R |
| 4 | S3815-5 | . PLACARD - RED STRIPE SPARES | B2021 & ON | 02 R |
| - 4A | S4498-13 | . PLACARD - RED STRIPE SPARES | | 02 R |

- ITEM NOT ILLUSTRATED

CESSNA®
MODEL 208
 ILLUSTRATED PARTS CATALOG

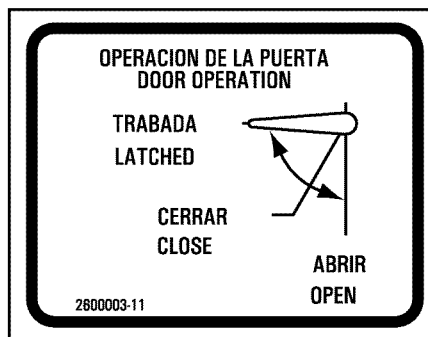
A35364



1
DETAIL A



5
DETAIL D



2
DETAIL B



4
DETAIL D



3
DETAIL C

MEXICAN EXTERIOR PLACARDS AND MARKINGS - CABIN DOORS
 FIGURE 01 (SHEET 1)

2610T7005

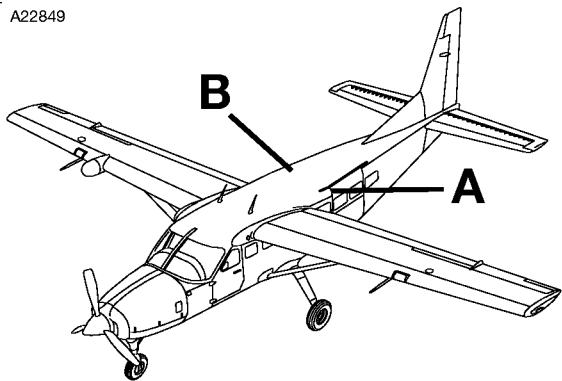
CESSNA®
MODEL 208
 ILLUSTRATED PARTS CATALOG

| FIG ITEM | PART NUMBER | NOMENCLATURE | UNITS |
|-------------|-------------|--|-------------|
| | | | PER ASSY |
| | | 1 2 3 4 5 6 7 | |
| 01 | | | |
| - | | MEXICAN EXTERIOR PLACARDS AND MARKINGS - CABIN DOORS | RF R |
| 1 | 2600003-10 | . PLACARD ASSY-LH CREW DOOR | 01 |
| 2 | 2600003-11 | . PLACARD ASSY-RH CREW DOOR | 01 |
| 3 | 2600003-15 | . PLACARD ASSY-UPPER CARGO DOOR | 01 |
| 4 | 2600003-16 | . PLACARD ASSY-PASSENGER DOOR | 01 |
| 5 | 2600003-12 | . PLACARD ASSY-LOWER PASSENGER DOOR | 01 |

- ITEM NOT ILLUSTRATED

CESSNA®
MODEL 208
ILLUSTRATED PARTS CATALOG

A22849



| | |
|--|------------------|
| EMPUJE PARA ACCESAR INTERUPTOR ELT PUSH TO ACCESS ELT SWITCH | |
| OPERACION | AUTO/AUTOMATICO |
| OPERATION | OFF/DESCONECTADO |
| 2600003-58 | ON/CONECTADO |

1
DETAIL A

| |
|---|
| <p>EL LOCALIZADOR DE EMERGENCIA INSTALADO DETRAZ DE ESTE COVERTOR SE LE DEBE HACER MANTENIMIENTO DE ACUERDO AL FAR 91.207</p> <p>EMERGENCY LOCATOR TRANSMITTER INSTALLED AFT OF THIS PARTITION. MUST BE SERVICED IN ACCORDANCE WITH FAR PART 91.207</p> <p>2600003-48</p> |
|---|

2
DETAIL A

| |
|---|
| <p>EQUIPAJE MAXIMO 147.7 KG. REFERIRCE A LA INFORMACION DE PESO Y BALANCE PARA VOLUMEN DE CARGA Y EQUIPAJE</p> <p>MAX. BAGGAGE 325 LBS. REFER TO WEIGHT AND BALANCE DATA FOR BAGGAGE / CARGO LOADING.</p> <p>2600003-47</p> |
|---|

3
DETAIL B

2610T7005

MEXICAN INTERIOR PLACARDS AND MARKINGS - CABIN
FIGURE 01 (SHEET 1)

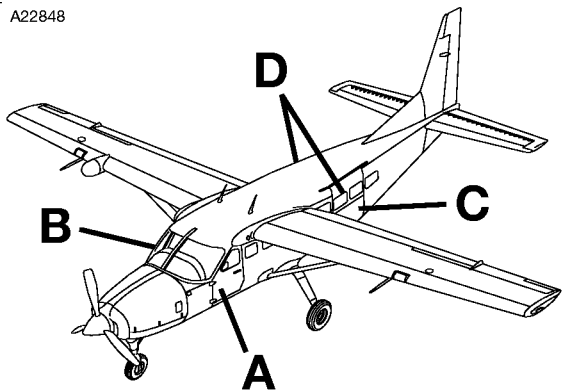
CESSNA®
MODEL 208
 ILLUSTRATED PARTS CATALOG

| FIG ITEM | PART NUMBER | NOMENCLATURE | UNITS PER ASSY | | |
|-------------|-------------|--|----------------------|---------------|------|
| | | | 1 | 2 | 3 |
| 01 | | | | | |
| - | | MEXICAN INTERIOR PLACARDS AND MARKINGS - CABIN | 0001 B0001 | 0499 B1999 | RF R |
| 1 | 2600003-58 | . PLACARD-ELT | | | 01 |
| 2 | 2600003-48 | . PLACARD-ELT POSITION | | | 01 |
| 3 | 2600003-47 | . PLACARD-ELT | | | 01 |

- ITEM NOT ILLUSTRATED

CESSNA®
MODEL 208
 ILLUSTRATED PARTS CATALOG

A22848

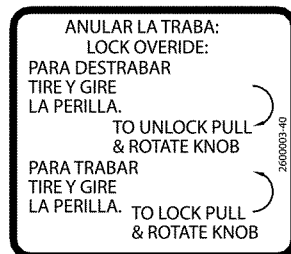


AVISO: PARA ELIMINAR
 REFERIRSE AL MANUAL DE SERVICIO/MAINTENANCE
 PARA PROCEDIMIENTO DE ELIMINAR. ESTA UNIDAD
 ESTA BAJO PRESION.
WARNING: FOR DISPOSAL
 REFER TO SERVICE/MAINTENANCE MANUAL FOR
 DISPOSAL PROCEDURE. UNIT IS UNDER PRESSURE. 2600003-49

7
DETAIL D



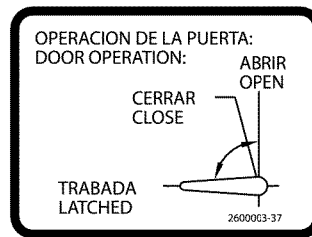
1
DETAIL A



2
DETAIL A



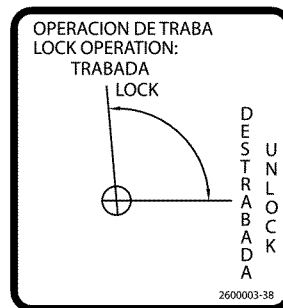
6
DETAIL C



3
DETAIL B



5
DETAIL C



4
DETAIL B

MEXICAN INTERIOR PLACARDS AND MARKINGS - CABIN DOORS
 FIGURE 01 (SHEET 1)

2610T7005

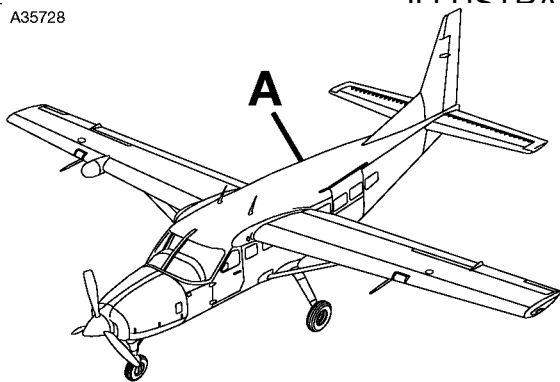
CESSNA®
MODEL 208
 ILLUSTRATED PARTS CATALOG

| FIG ITEM | PART NUMBER | NOMENCLATURE | UNITS |
|-------------|-------------|--|-------------|
| | | | PER ASSY |
| | | 1 2 3 4 5 6 7 | |
| 01 | | | |
| - | | MEXICAN INTERIOR PLACARDS AND MARKINGS - CABIN DOORS | RF R |
| 1 | 2600003-36 | . PLACARD-DOOR OPERATION | 01 R |
| 2 | 2600003-40 | . PLACARD ASSY-LOCK OVERRIDE | 01 R |
| 3 | 2600003-37 | . PLACARD-DOOR OPERATION | 01 R |
| 4 | 2600003-38 | . PLACARD ASSY-LOCK OPERATION | 01 R |
| 5 | 2600003-42 | . PLACARD-DOOR OPERATION LOWER CARGO DOOR | 01 R |
| 6 | 2600003-34 | . PLACARD-DOOR OPERATION UPPER CARGO DOOR | 01 R |
| 7 | 2600003-49 | . PLACARD-GAS SPRING DISPOSAL PROCEDURE | 04 R |

- ITEM NOT ILLUSTRATED

CESSNA®
MODEL 208
 ILLUSTRATED PARTS CATALOG

A35728



OPERACION DE LA PUERTA:
DOOR OPERATION
PARA ABRIRLA
TIRE LA MANIJA
Y GIRELA **TO OPEN**
 PULL HANDLE
 INBD & ROTATE

PARA CERRARLA
GIRE LA MANIJA
Y EMPUJELA **TO CLOSE**
 ROTATE HANDLE
 & STOW

2600003-35

75
DETAIL A

ADVERTENCIA
 ANTES DE OPERAR LA PUERTA,
 VERIFICAR QUE ESTE LIBRE
 DE OBJETOS LA ZONA EXTERIOR
 PROXIMA A LA PARTE INFERIOR
 DE LA PUERTA.

WARNING
 OUTSIDE PROXIMITY OF LOWER
 DOOR MUST BE CLEAR BEFORE
 OPENING

2600003-12

76
DETAIL A

CERRAR **OPERACION DE LA PUERTA:** **ABRIR**
CLOSE **DOOR OPERATION:** **OPEN**

← **BAJAR LA MANIJA DE LA PUERTA** →
 LOWER DOOR HANDLE

2600003-43

77
DETAIL A

2610T7004

MEXICAN INTERIOR PLACARDS AND MARKINGS - CABIN DOORS
 FIGURE 01 (SHEET 2)

CESSNA®
MODEL 208
 ILLUSTRATED PARTS CATALOG

| FIG ITEM | PART NUMBER | NOMENCLATURE | UNITS |
|-------------|-------------|---|-------------|
| | | | PER ASSY |
| | | 1 2 3 4 5 6 7 | |
| 01 | | | |
| 75 | 2600003-35 | . PLACARD-DOOR OPERATION UPPER PASSENGER | 01 R |
| 76 | 2600003-12 | . PLACARD ASSY-DOOR WARNING LOWER PASSENGER | 01 R |
| 77 | 2600003-43 | . PLACARD-DOOR OPERATION LOWER PASSENGER | 01 R |

- ITEM NOT ILLUSTRATED